



# Parts Manual

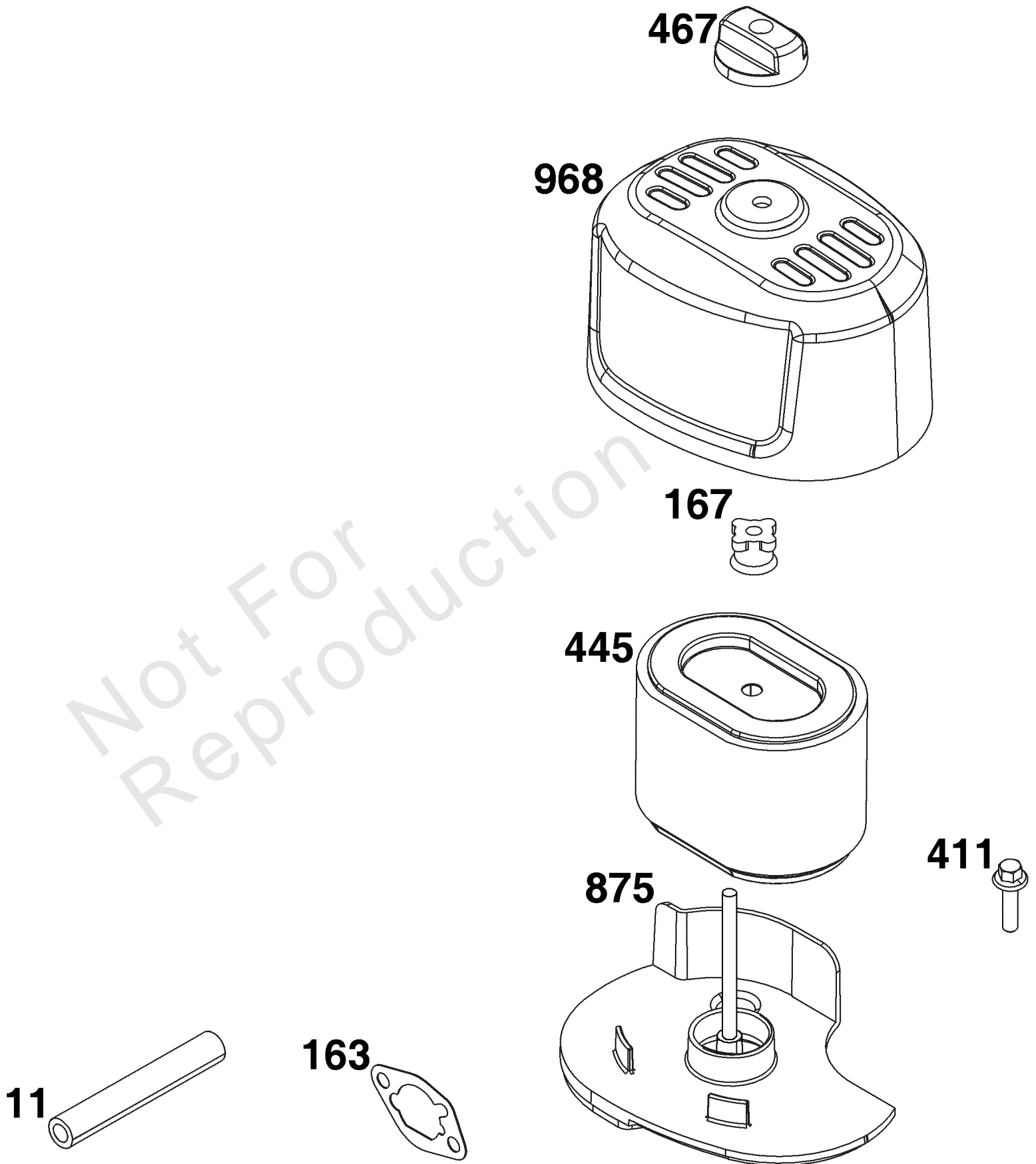
Mfg. No: 083132-0005-H5



---

<b>Model Components</b>	<b>Page</b>
Air Cleaner Group.....	4
Blower Housing Group.....	6
Carburetor Group.....	8
Controls Group.....	10
Crankcase Cover/Sump and Lubrication Group.....	12
Crankshaft Group.....	14
Cylinder Group.....	16
Cylinder Head Group.....	18
Exhaust Group.....	20
Flywheel, Ignition, and Starter Group.....	22
Fuel Supply Group.....	24

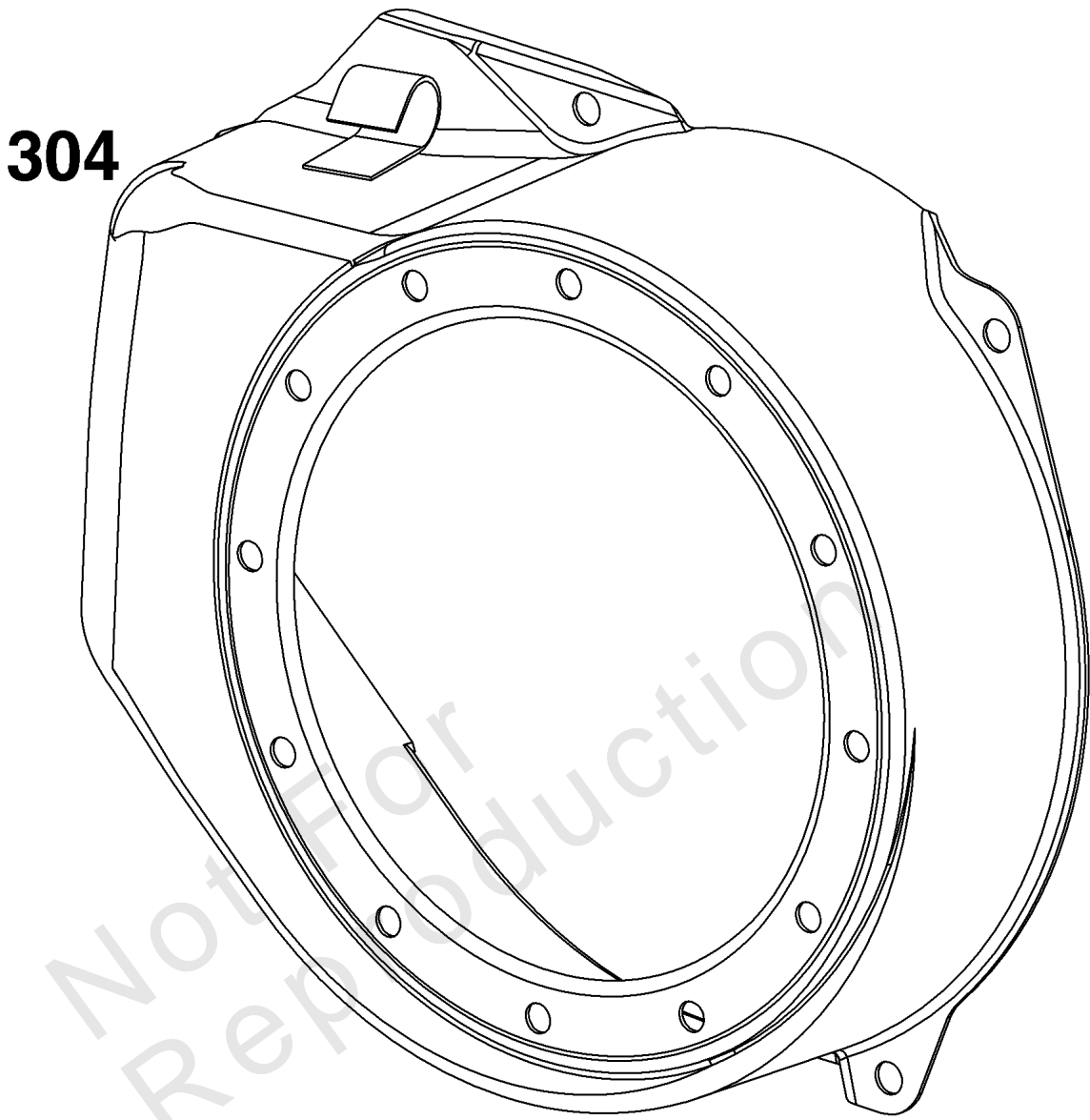
Not For  
Reproduction



## *Air Cleaner Group*

REF NO	PART NO	QTY	DESCRIPTION
11	797262	1	TUBE, Breather
163	-----	1	GASKET, Air Cleaner -(Part information located in Carburetor Group.)
167	797261	1	NUT
411	797686	1	SCREW -(Air Cleaner Base to Air Cleaner Bracket)
445	796970	1	FILTER, A/C Cartridge
467	691985	1	KNOB, Air Cleaner Cover
875	84002806	1	BASE, Air Cleaner
968	591026	1	COVER, Air Cleaner

Not For Reproduction



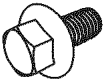
**304**

**1319** 

**1036** 

**1319A** 

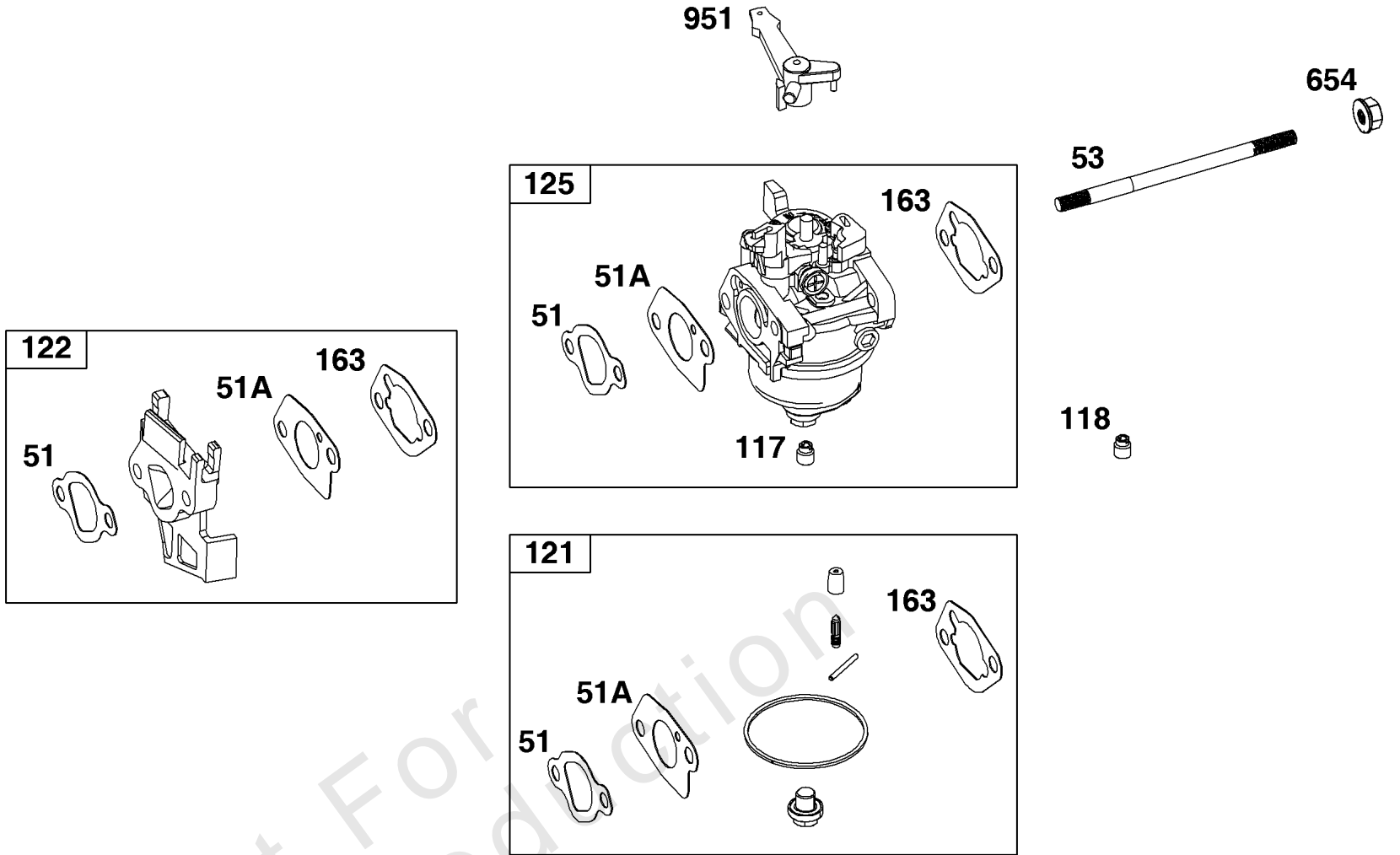
**1319B** 

**305** 

## Blower Housing Group

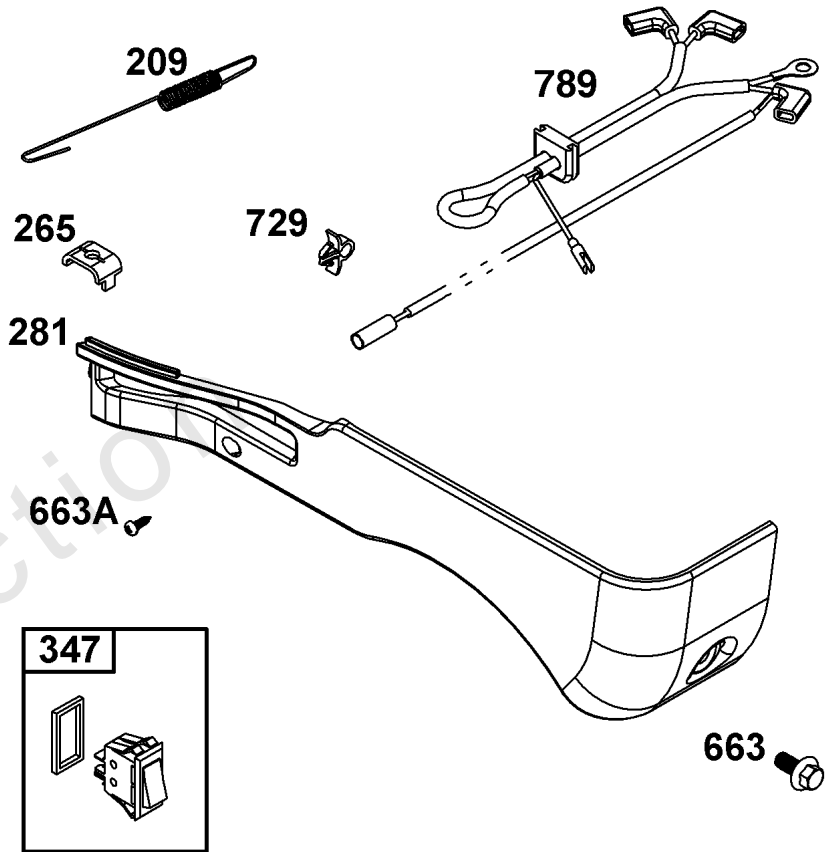
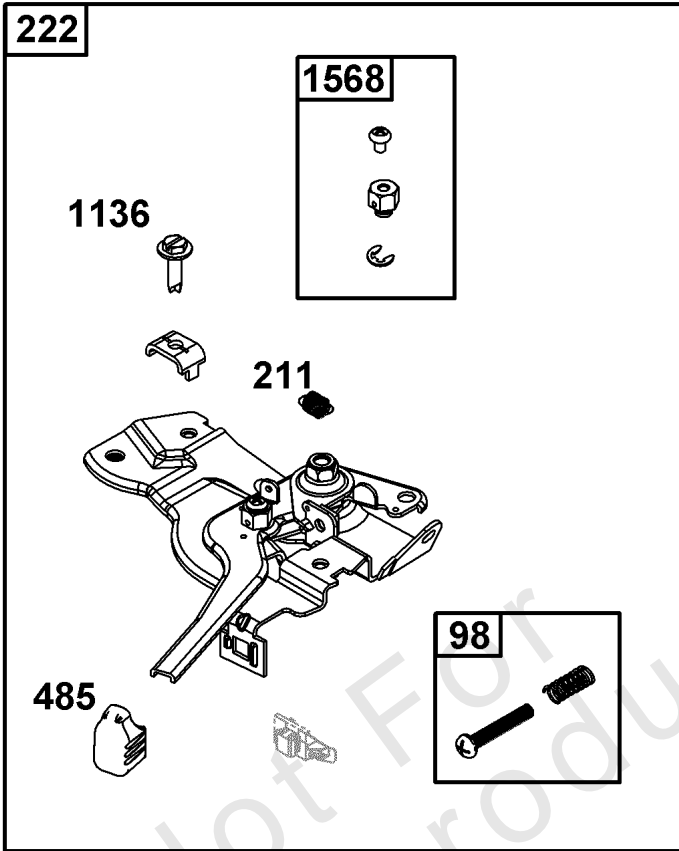
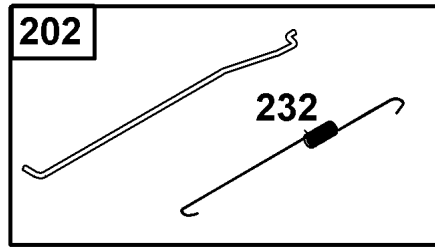
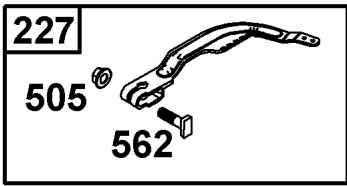
REF NO	PART NO	QTY	DESCRIPTION
304	591030	1	HOUSING, Blower
305	798618	4	SCREW -(Blower Housing)
1036	-----	1	LABEL, Emissions -(Available from a Briggs & Stratton Authorized Dealer)
1319	794467	1	LABEL, Warning -(REQUIRED When Replacing Parts With Warning Labels Affixed)
1319A	797669	1	LABEL, Warning -(REQUIRED When Replacing Parts With Warning Labels Affixed)
1319B	278911GS	1	LABEL, Warning -(REQUIRED When Replacing Parts With Warning Labels Affixed)

Not For Reproduction



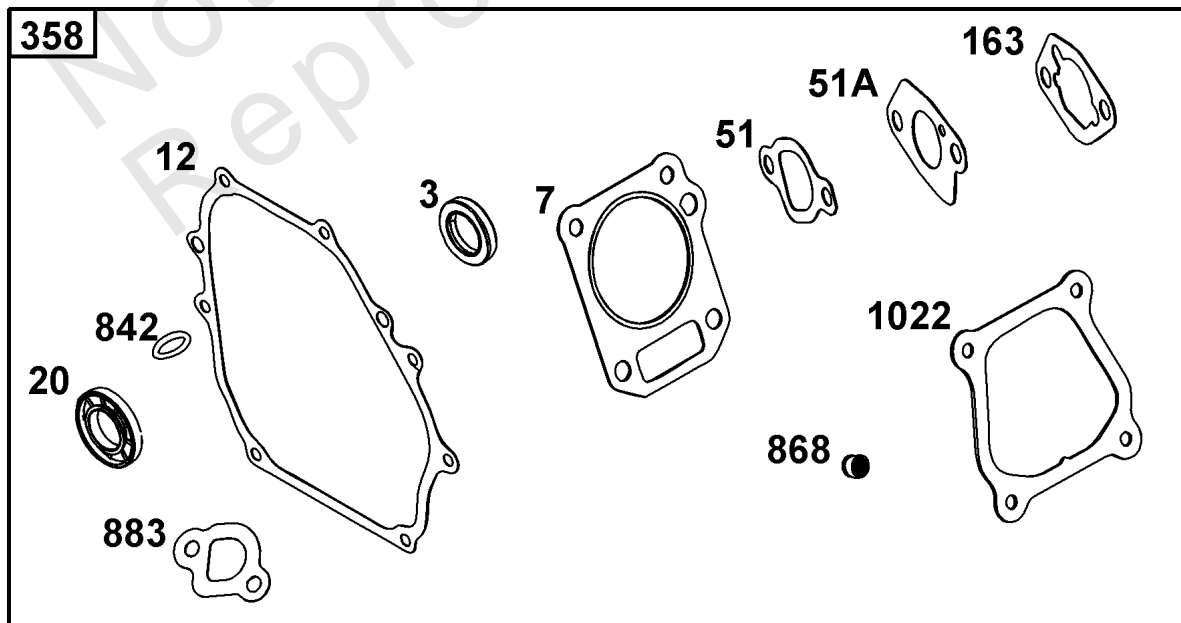
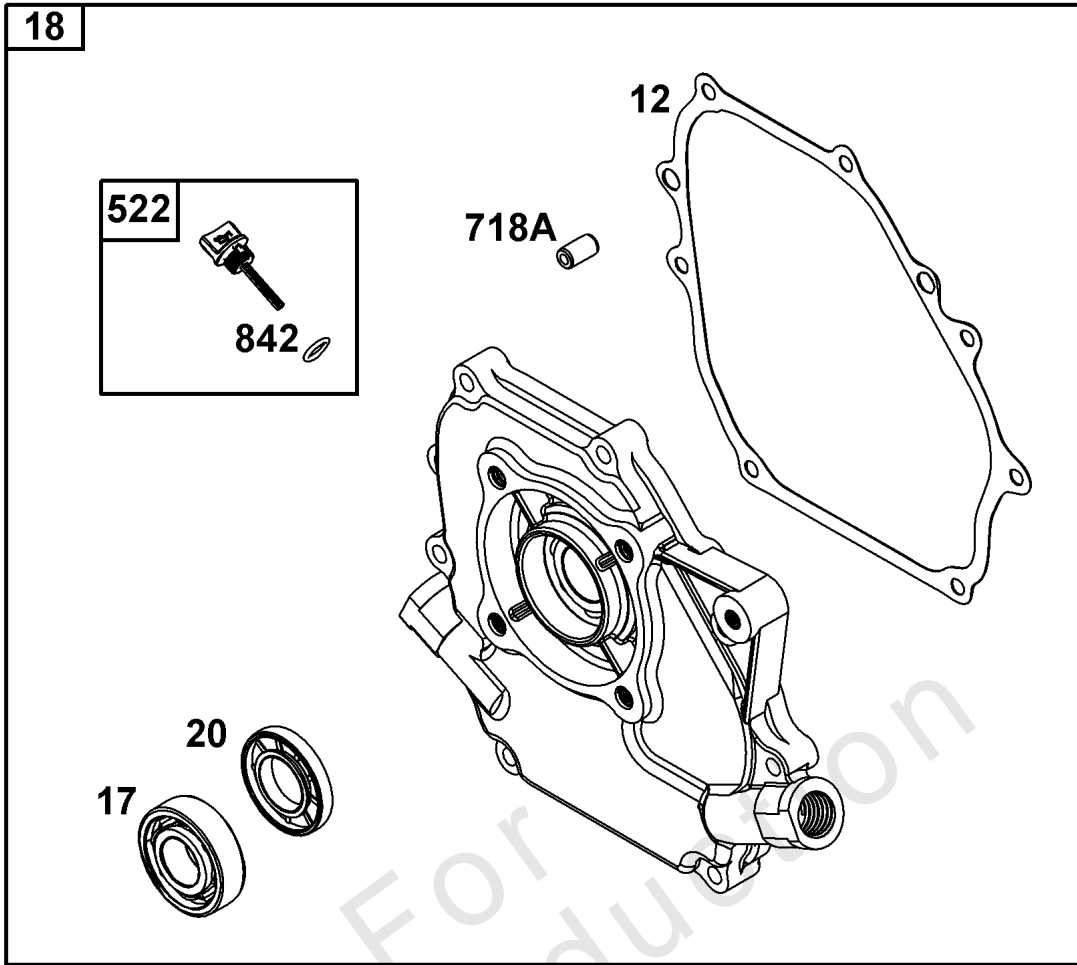
## Carburetor Group

REF NO	PART NO	QTY	DESCRIPTION
51	-----	1	GASKET, Intake -(Part information located in Cylinder Head Group.)
51A	-----	1	GASKET, Intake -(Part information located in Cylinder Head Group.)
53	797278	2	STUD -(Carburetor)
117	84002804	1	JET, Main -(Standard)
118	84002805	1	JET, Main -(High Altitude)
121	592424	1	KIT, Carburetor Overhaul -(Service Kits may include extra parts not specific to this engine.)
122	84002802	1	KIT, Carburetor Gasket
125	84002803	1	CARBURETOR
163	591013	1	GASKET, Air Cleaner -(Air Cleaner)
654	690939	1	NUT -(Carburetor)
951	591016	1	LEVER, Choke



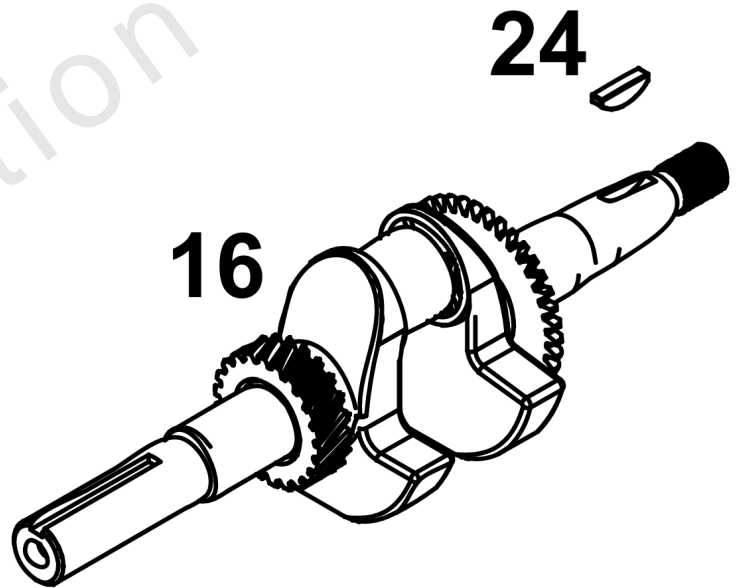
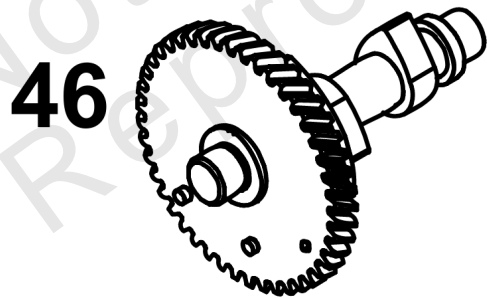
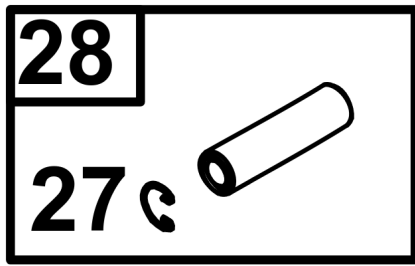
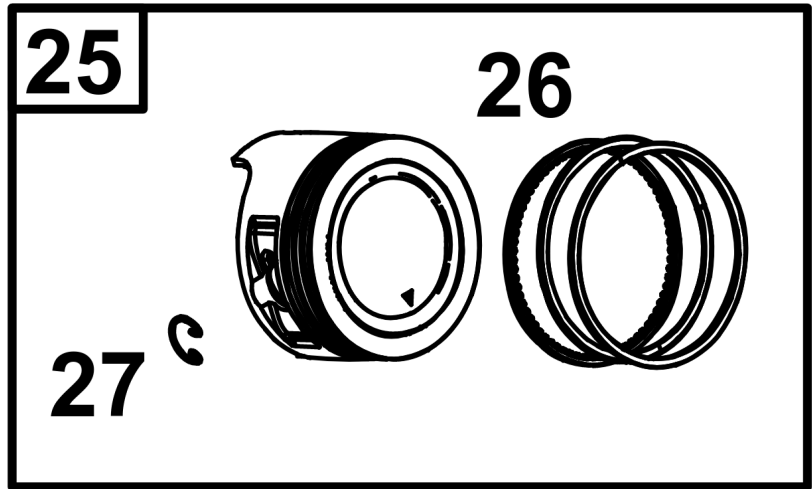
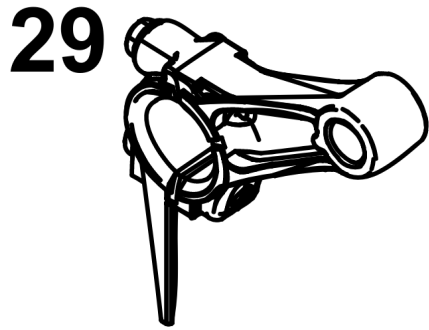
## Controls Group

REF NO	PART NO	QTY	DESCRIPTION
98	797333	1	KIT, Idle Speed
188	797686	1	SCREW -(Control Bracket)
188A	798618	1	SCREW -(Control Bracket)
202	797233	1	LINK, Mechanical Governor
209	797236	1	SPRING, Governor
211	797337	1	SPRING, Governed Idle
222	591024	1	BRACKET, Control
227	84005261	1	LEVER, Governor Control
232	797232	1	SPRING/LINK, Governor
265	691024	1	CLAMP, Casing
281	591048	1	PANEL, Control
347	797340	1	SWITCH, Rocker
485	797339	1	KNOB, Control
505	690939	2	NUT -(Governor Control Lever)
562	797230	1	BOLT -(Governor Control Lever)
663	799846	1	SCREW -(Control Panel)
663A	591049	1	SCREW -(Control Panel)
729	797341	1	CLIP, Wire
789	798633	1	HARNESS, Wiring
1136	597020	2	SCREW -(Control Bracket)
1568	590378	2	RETAINER, Link



## ***Crankcase Cover/Sump and Lubrication Group***

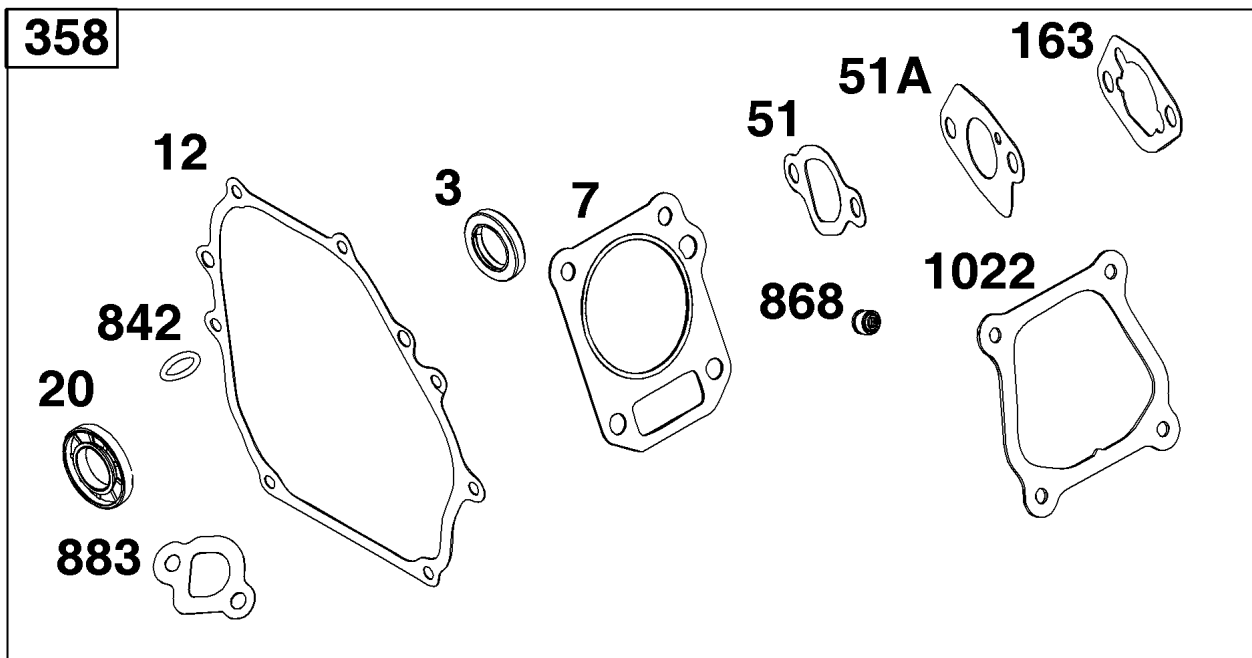
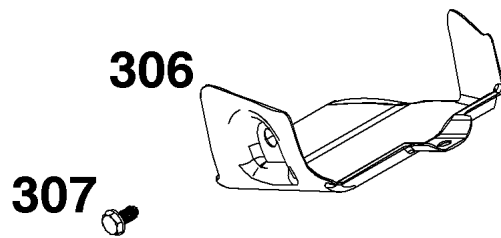
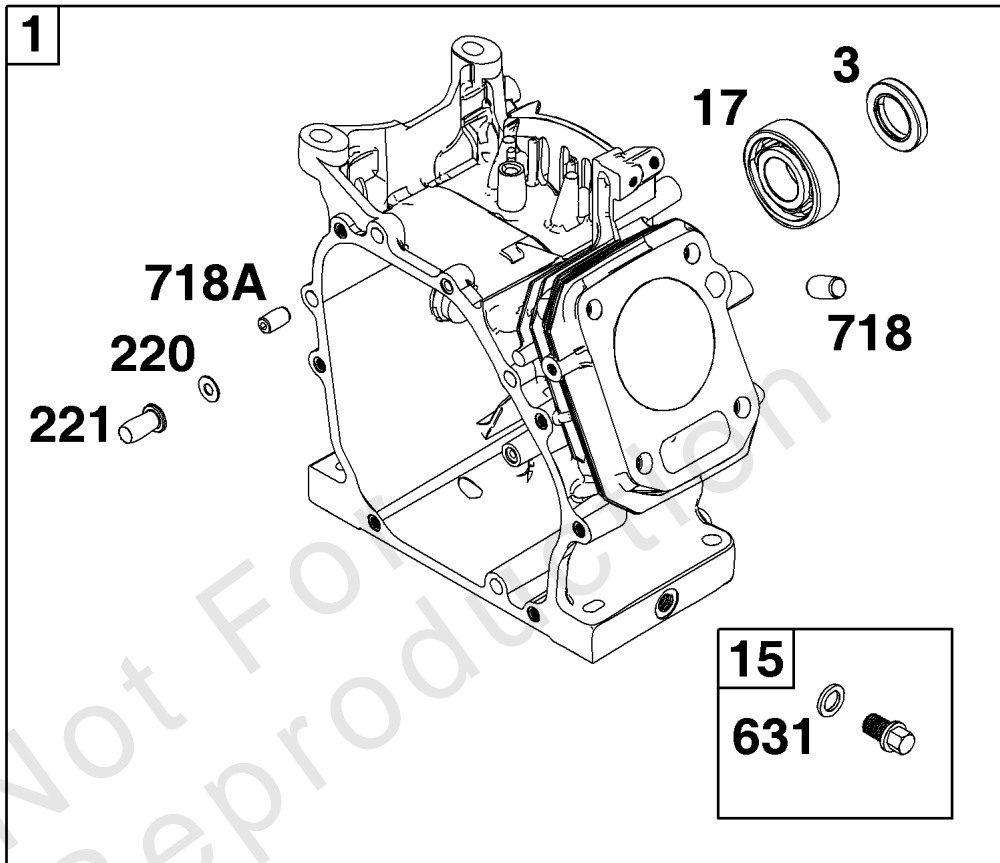
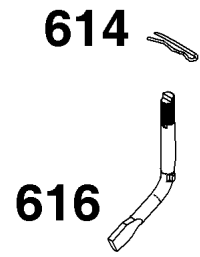
<b>REF NO</b>	<b>PART NO</b>	<b>QTY</b>	<b>DESCRIPTION</b>
3	-----	1	SEAL, Oil -(Part information located in Cylinder Group.)
7	-----	1	GASKET, Cylinder Head -(Part information located in Cylinder Head Group.)
12	797211	1	GASKET, Crankcase
17	-----	1	BEARING, Ball -(Part information located in Cylinder Group.)
18	797350	1	COVER, Crankcase
20	797330	1	SEAL, Oil -(PTO Side)
22	797656	7	SCREW -(Crankcase Cover/Sump)
51	-----	1	GASKET, Intake -(Part information located in Cylinder Head Group.)
51A	-----	1	GASKET, Intake -(Part information located in Cylinder Head Group.)
163	-----	1	GASKET, Air Cleaner -(Part information located in Carburetor Group.)
286	84004388	1	MODULE, Oil Sensor
358	-----	1	GASKET SET, Engine -(Part information located in Cylinder Group.)
493A	798632	1	BRACKET, Mounting
522	797325	2	PLUG, Dipstick/Fill
718A	-----	2	PIN, Locating -(Part information located in Cylinder Group.)
799	798975	2	SCREW -(Oil Sensor)
842	797327	2	SEAL, O-Ring -(Dipstick Cap)
868	-----	1	SEAL, Valve -(Part information located in Cylinder Head Group.)
883	-----	1	GASKET, Exhaust -(Part information located in Exhaust Group.)
1022	-----	1	GASKET, Rocker Cover -(Part information located in Cylinder Head Group.)
1052	798631	1	SENSOR, Oil
1305	798618	1	SCREW -(Oil Sensor Module)



## Crankshaft Group

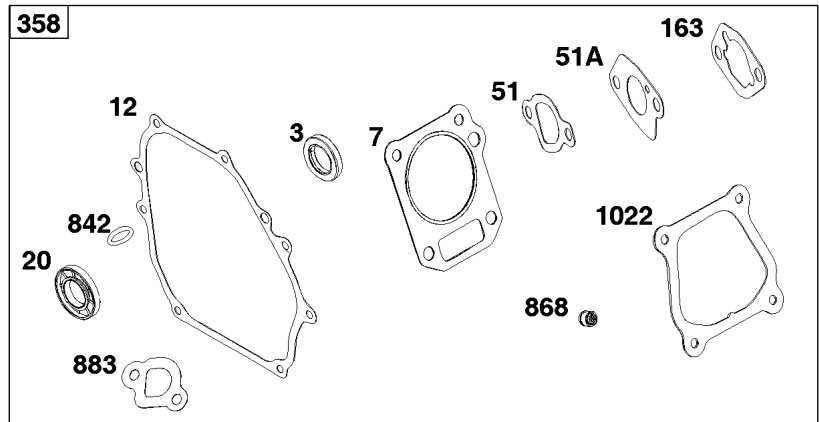
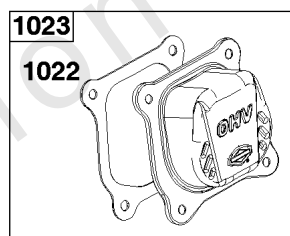
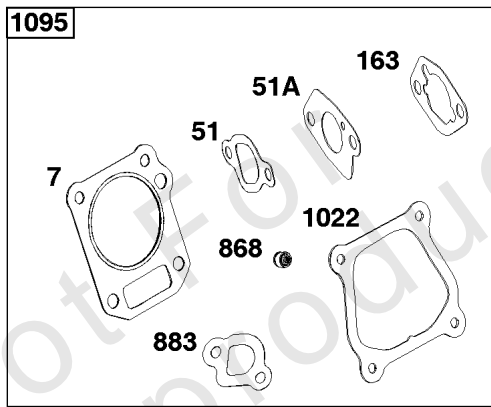
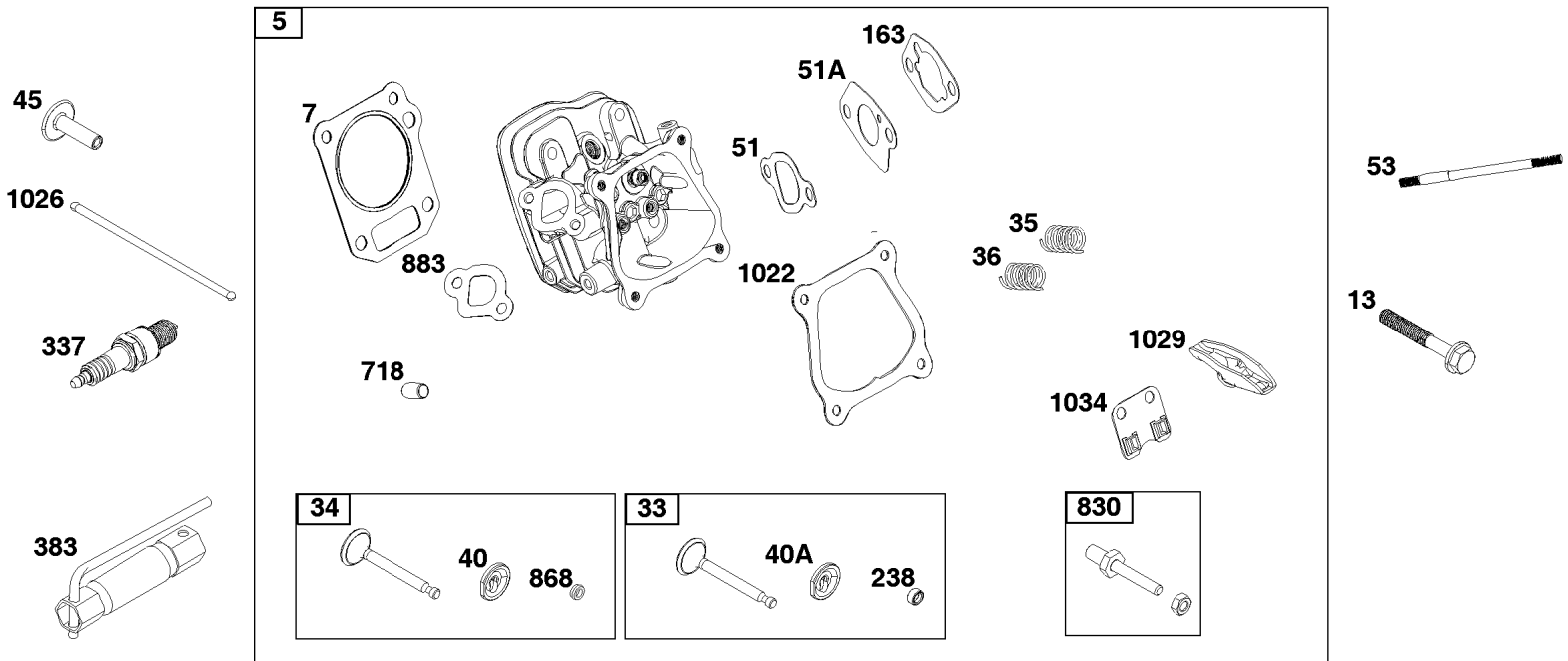
REF NO	PART NO	QTY	DESCRIPTION
16	797529	1	CRANKSHAFT
24	797286	1	KEY, Flywheel
25	84002821	1	PISTON ASSEMBLY -(Standard)
25	84002831	1	PISTON ASSEMBLY -(.010" Oversize)
25	84002833	1	PISTON ASSEMBLY -(.020" Oversize)
26	84002817	1	SET, Ring -(Standard)
26	84002830	1	SET, Ring -(.010" Oversize)
26	84002832	1	SET, Ring -(.020" Oversize)
27	797234	2	LOCK, Piston Pin
28	797219	1	PIN, Piston
29	797221	1	ROD, Connecting
46	797197	1	CAMSHAFT

Not For Reproduction



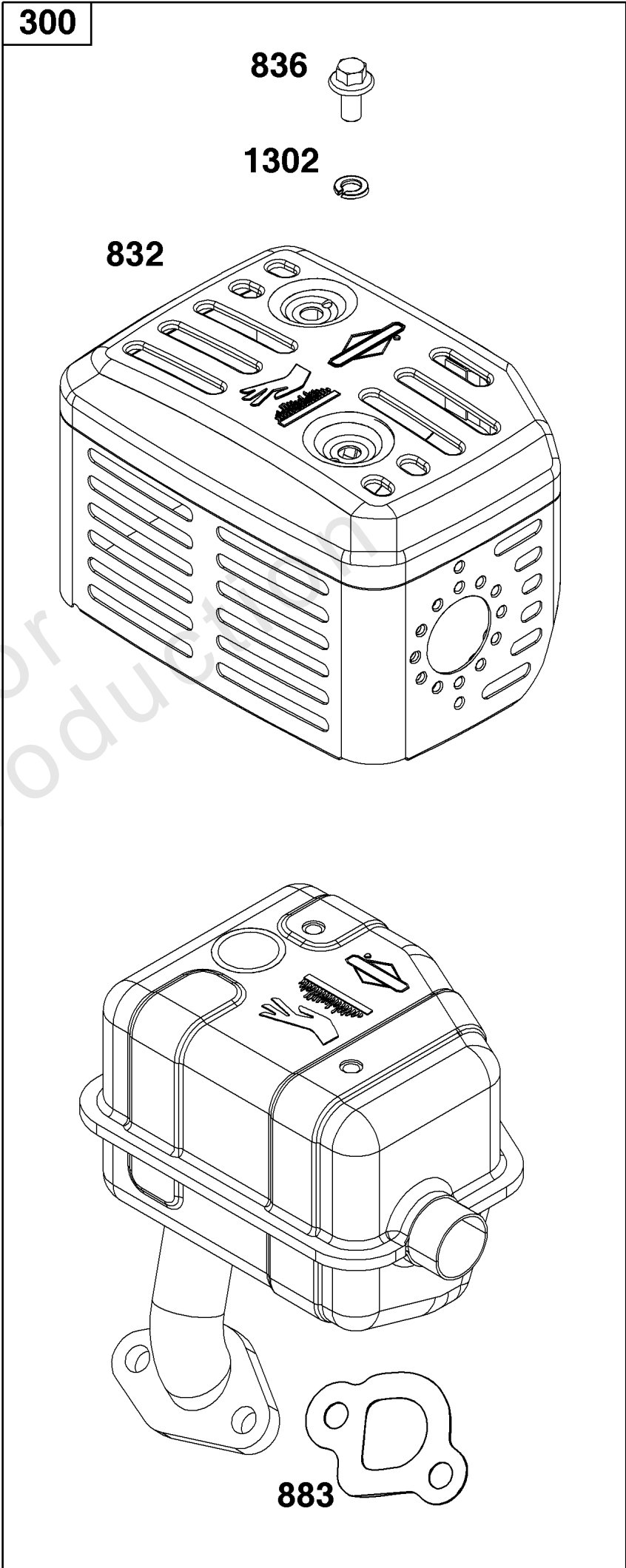
## Cylinder Group

REF NO	PART NO	QTY	DESCRIPTION
1	798630	1	CYLINDER ASSEMBLY
3	797329	1	SEAL, Oil -(Magneto Side)
7	-----	1	GASKET, Cylinder Head -(Part information located in Cylinder Head Group.)
12	-----	1	GASKET, Crankcase -(Part information located in Crankcase Cover/Sump and Lubrication Group.)
15	797215	2	PLUG, Oil Drain
17	797328	1	BEARING, Ball -(Cylinder)
20	-----	1	SEAL, Oil -(Part information located in Crankcase Cover/Sump and Lubrication Group.)
51	-----	1	GASKET, Intake -(Part information located in Cylinder Head Group.)
51A	-----	1	GASKET, Intake -(Part information located in Cylinder Head Group.)
163	-----	1	GASKET, Air Cleaner -(Part information located in Carburetor Group.)
220	797223	1	WASHER -(Governor Gear)
221	797224	1	CUP, Governor
306	797322	1	SHIELD, Cylinder
307	798618	2	SCREW -(Cylinder Shield)
358	84002862	1	GASKET SET, Engine -(Service Kits may include extra parts not specific to this engine.)
614	797229	1	PIN, Cotter
616	797228	1	CRANK, Governor
631	797216	2	WASHER -(Oil Drain Plug)
718	797214	2	PIN, Locating
718A	797326	2	PIN, Locating
842	-----	2	SEAL, O-Ring -(Part information located in Crankcase Cover/Sump and Lubrication Group.)
868	-----	1	SEAL, Valve -(Part information located in Cylinder Head Group.)
883	-----	1	GASKET, Exhaust -(Part information located in Exhaust Group.)
1022	-----	1	GASKET, Rocker Cover -(Part information located in Cylinder Head Group.)



## Cylinder Head Group

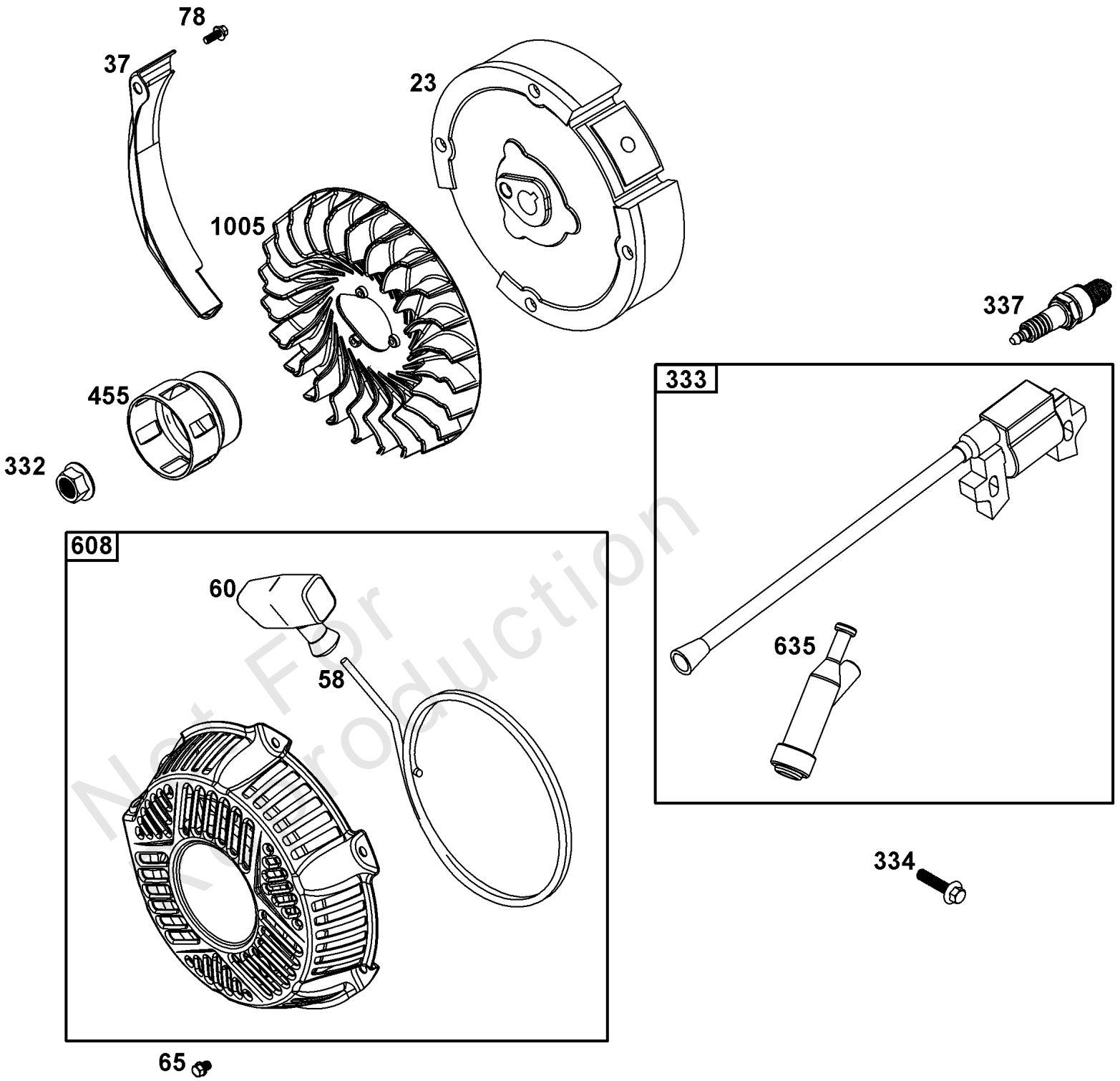
REF NO	PART NO	QTY	DESCRIPTION
3	-----	1	SEAL, Oil -(Part information located in Cylinder Group.)
5	84002807	1	HEAD, Cylinder
7	84002800	1	GASKET, Cylinder Head
12	-----	1	GASKET, Crankcase -(Part information located in Crankcase Cover/Sump and Lubrication Group.)
13	797213	4	SCREW -(Cylinder Head)
20	-----	1	SEAL, Oil -(Part information located in Crankcase Cover/Sump and Lubrication Group.)
33	797199	1	VALVE, Exhaust
34	797198	1	VALVE, Intake
35	797203	1	SPRING, Valve -(Intake)
36	797203	1	SPRING, Valve -(Exhaust)
40	797204	1	RETAINER, Valve
40A	797205	1	RETAINER, Valve
45	797208	2	TAPPET, Valve
51	797192	1	GASKET, Intake
51A	797280	1	GASKET, Intake
53	-----	2	STUD -(Part information located in Carburetor Group.)
163	-----	1	GASKET, Air Cleaner -(Part information located in Carburetor Group.)
238	797206	1	CAP, Valve
337	798615	1	PLUG, Spark
358	-----	1	GASKET SET, Engine -(Part information located in Cylinder Group.)
383	19576S	1	WRENCH, Spark Plug
718	-----	2	PIN, Locating -(Part information located in Cylinder Group.)
830	797200	2	STUD, Rocker Arm
842	-----	2	SEAL, O-Ring -(Part information located in Crankcase Cover/Sump and Lubrication Group.)
868	590648	1	SEAL, Valve
883	-----	1	GASKET, Exhaust -(Part information located in Exhaust Group.)
914	798618	4	SCREW -(Rocker Cover)
1022	84004342	1	GASKET, Rocker Cover
1023	84004343	1	COVER, Rocker
1026	797207	2	ROD, Push
1029	797202	2	ARM, Rocker
1034	797209	1	GUIDE, Push Rod
1095	84003129	1	GASKET SET, Valve -(Service Kits may include extra parts not specific to this engine.)



## Exhaust Group

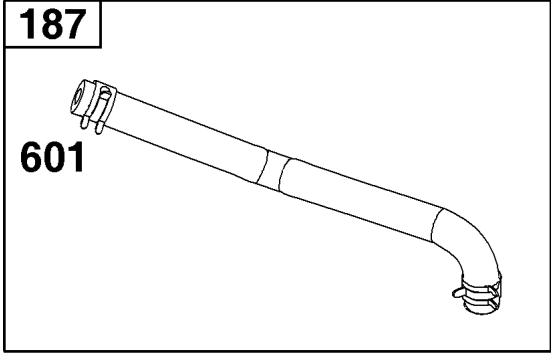
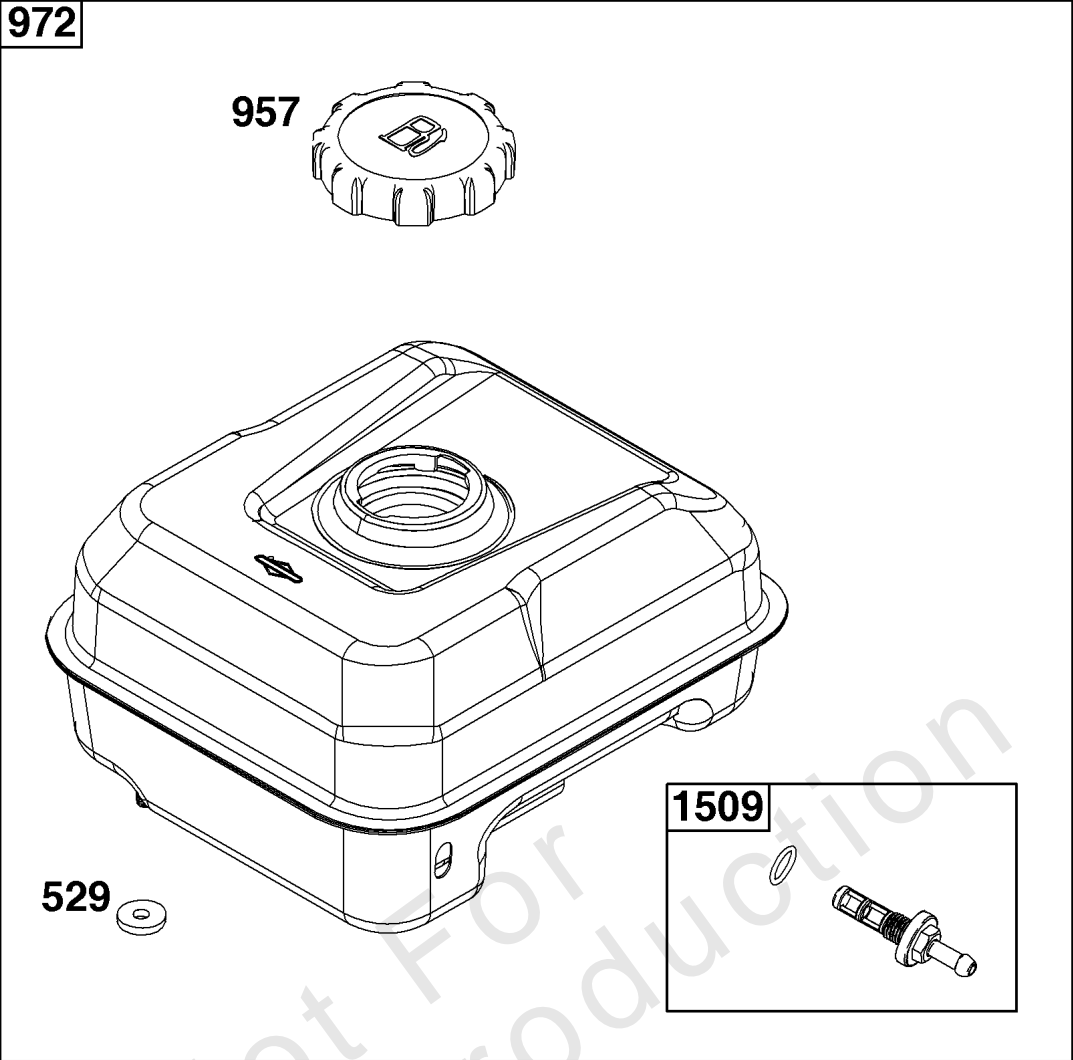
REF NO	PART NO	QTY	DESCRIPTION
300	84003932	1	MUFFLER
832	591029	1	GUARD, Muffler
836	798976	3	SCREW -(Muffler Guard)
883	797267	1	GASKET, Exhaust
1177	590965	2	NUT -(Muffler)
1302	590457	3	WASHER -(Muffler Guard)

Not For Reproduction



## ***Flywheel, Ignition, and Starter Group***

<b>REF NO</b>	<b>PART NO</b>	<b>QTY</b>	<b>DESCRIPTION</b>
23	84002801	1	FLYWHEEL
37	591023	1	GUARD, Flywheel
58	693389	1	ROPE, Starter
60	691915	1	GRIP, Starter Rope
65	797654	3	SCREW -(Rewind Starter)
78	798975	1	SCREW -(Flywheel Guard)
332	797285	1	NUT -(Flywheel)
333	797343	1	ARMATURE, Magneto
334	797655	2	SCREW -(Magneto Armature)
337	-----	1	PLUG, Spark -(Part information located in Cylinder Head Group.)
455	797277	1	CUP, Flywheel
608	797276	1	STARTER, Rewind
635	797658	1	BOOT, Spark Plug
1005	797321	1	FAN, Flywheel



## ***Fuel Supply Group***

<b>REF NO</b>	<b>PART NO</b>	<b>QTY</b>	<b>DESCRIPTION</b>
187	797274	1	LINE, Fuel
190	797657	1	SCREW -(Fuel Tank)
529	797345	2	GROMMET
601	791850	2	CLAMP, Hose
705	690939	2	NUT -(Fuel Tank)
957	794641	1	CAP, Fuel Tank
972	591025	1	TANK, Fuel
1509	797346	1	OUTLET, Tank

Not For Reproduction

