

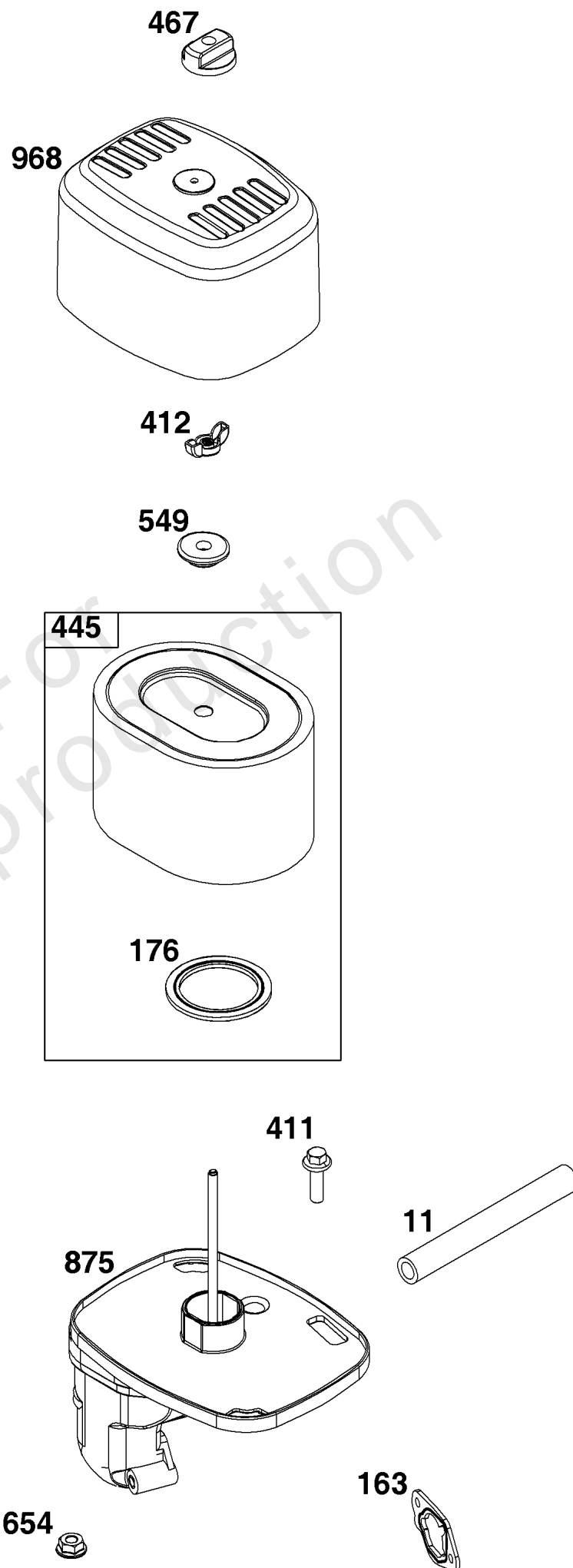


Parts Manual

Mfg. No: 25T232-0021-H5

| Model Components | Page |
|--|-------------|
| Air Cleaner Group..... | 4 |
| Blower Housing Group..... | 6 |
| Carburetor Group..... | 8 |
| Controls Group..... | 10 |
| Crankcase Cover/Sump Group..... | 12 |
| Crankshaft Group..... | 14 |
| Cylinder Group..... | 16 |
| Cylinder Head Group..... | 18 |
| Exhaust Group..... | 20 |
| Flywheel, Ignition, and Starter Group..... | 22 |
| Fuel Supply Group..... | 24 |
| Lubrication Group..... | 26 |

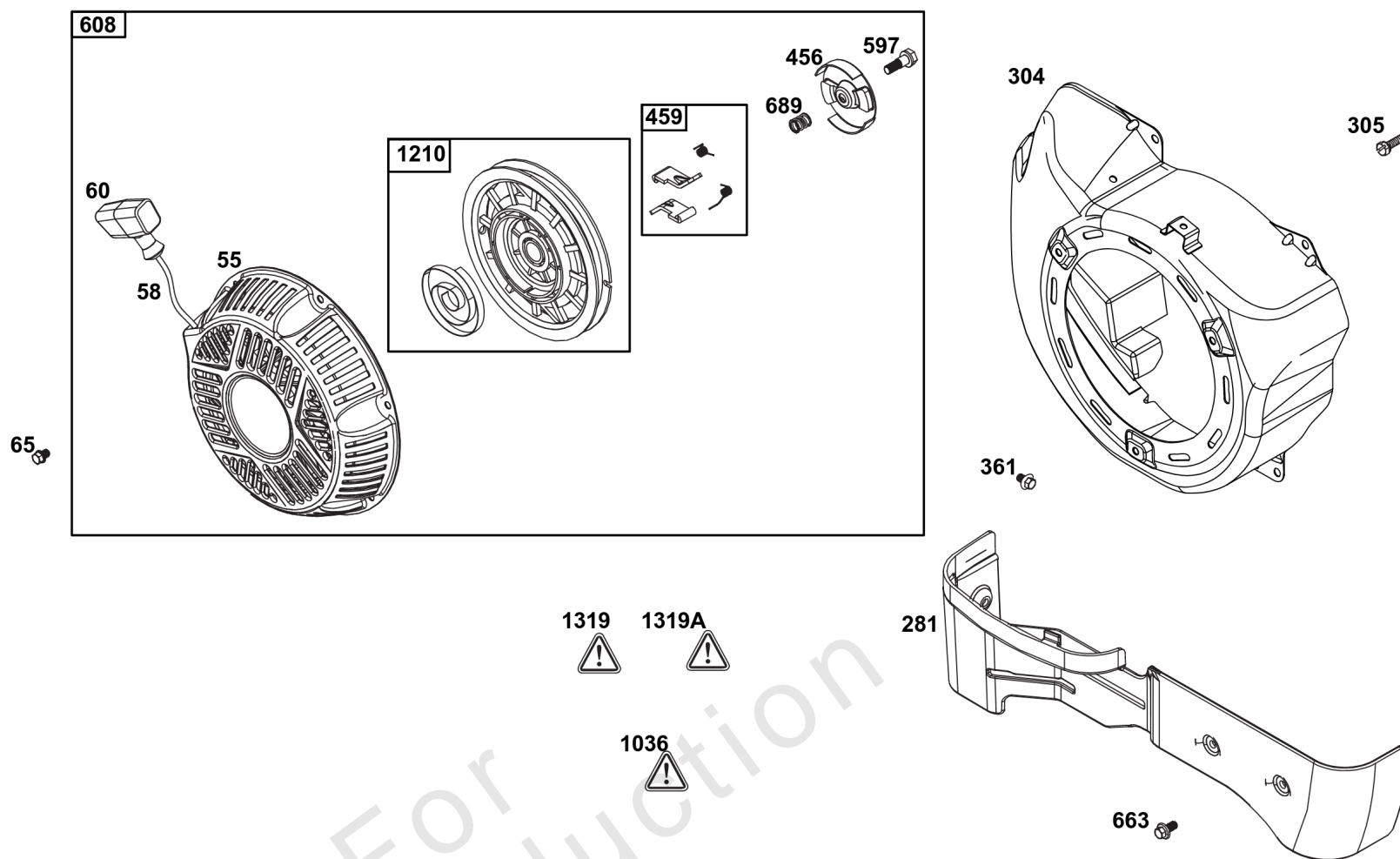
Not For
Reproduction



Air Cleaner Group

| REF NO | PART NO | QTY | DESCRIPTION |
|---------------|----------------|------------|---|
| 11 | 799832 | 1 | TUBE, Breather |
| 163 | ----- | 1 | GASKET, Air Cleaner -(Part information located in Carburetor Group.) |
| 176 | 799834 | 1 | SEAL, O-Ring -(Air Cleaner Base) |
| 411 | 797686 | 1 | SCREW -(Air Cleaner Base to Air Cleaner Bracket) |
| 412 | 799830 | 1 | NUT -(Air Cleaner Cover) |
| 445 | 799818 | 1 | FILTER, A/C Cartridge |
| 467 | 691985 | 1 | KNOB, Air Cleaner Cover |
| 549 | 799833 | 1 | WASHER -(Air Cleaner) |
| 654 | ----- | 2 | NUT -(Part information located in Carburetor Group.) |
| 875 | 799831 | 1 | BASE, Air Cleaner |
| 968 | 799829 | 1 | COVER, Air Cleaner |

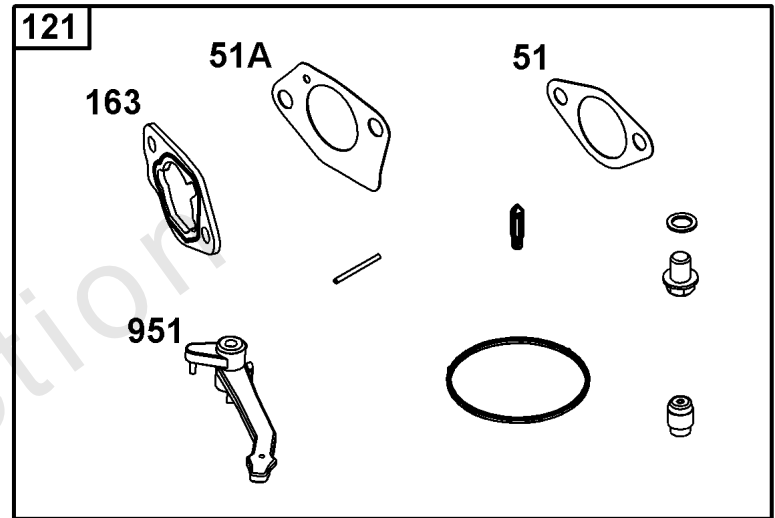
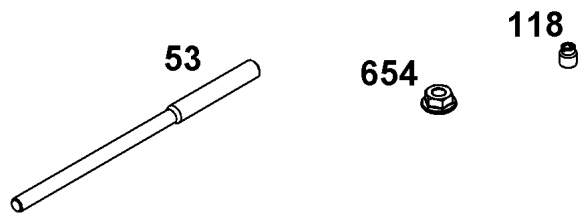
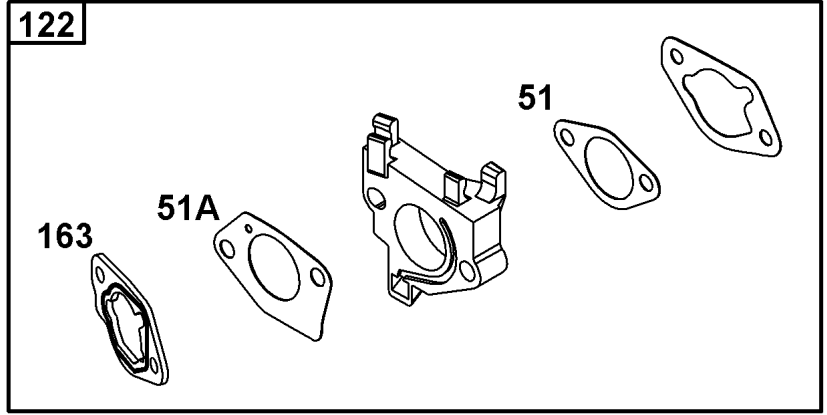
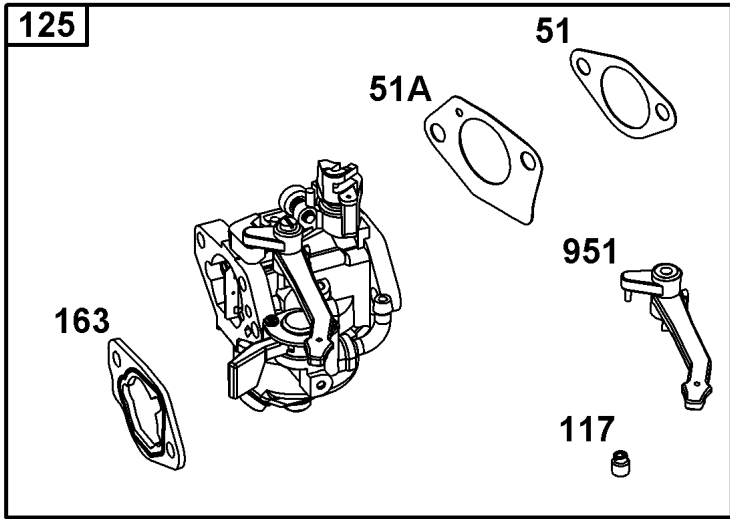
Not For Reproduction



Not For
Reproduction

Blower Housing Group

| REF NO | PART NO | QTY | DESCRIPTION |
|--------|---------|-----|--|
| 55 | ----- | | HOUSING, Rewind Starter -(Part information located in Flywheel/Ignition/Starter Group.) |
| 58 | ----- | | ROPE, Starter -(Part information located in Flywheel/Ignition/Starter Group.) |
| 60 | ----- | | GRIP, Starter Rope -(Part information located in Flywheel/Ignition/Starter Group.) |
| 65 | ----- | | SCREW -(Part information located in Flywheel/Ignition/Starter Group.) |
| 281 | ----- | 1 | PANEL, Control -(Part information located in Controls Group.) |
| 304 | 799968 | 1 | HOUSING, Blower |
| 305 | 798618 | 5 | SCREW -(Blower Housing) |
| 361 | ----- | | SCREW -(Part information located in Controls Group.) |
| 456 | ----- | | PLATE, Pawl Friction -(Part information located in Flywheel/Ignition/Starter Group.) |
| 459 | ----- | | PAWL, Ratchet -(Part information located in Flywheel/Ignition/Starter Group.) |
| 597 | ----- | | SCREW -(Part information located in Flywheel/Ignition/Starter Group.) |
| 608 | ----- | | STARTER, Rewind -(Part information located in Flywheel/Ignition/Starter Group.) |
| 663 | ----- | 3 | SCREW -(Part information located in Controls Group.) |
| 689 | ----- | | SPRING, Friction -(Part information located in Flywheel/Ignition/Starter Group.) |
| 1036 | ----- | | LABEL, Emissions -(Available from a Briggs & Stratton Authorized Dealer) |
| 1210 | ----- | | PULLEY/SPRING ASSEMBLY -(Part information located in Flywheel/Ignition/Starter Group.) |
| 1319 | 794467 | | LABEL, Warning -(REQUIRED When Replacing Parts With Warning Labels Affixed) |
| 1319A | 797669 | | LABEL, Warning -(REQUIRED When Replacing Parts With Warning Labels Affixed) |

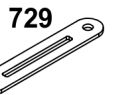
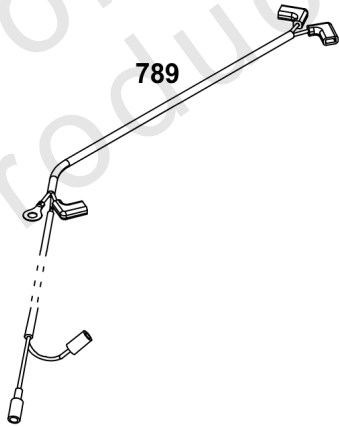
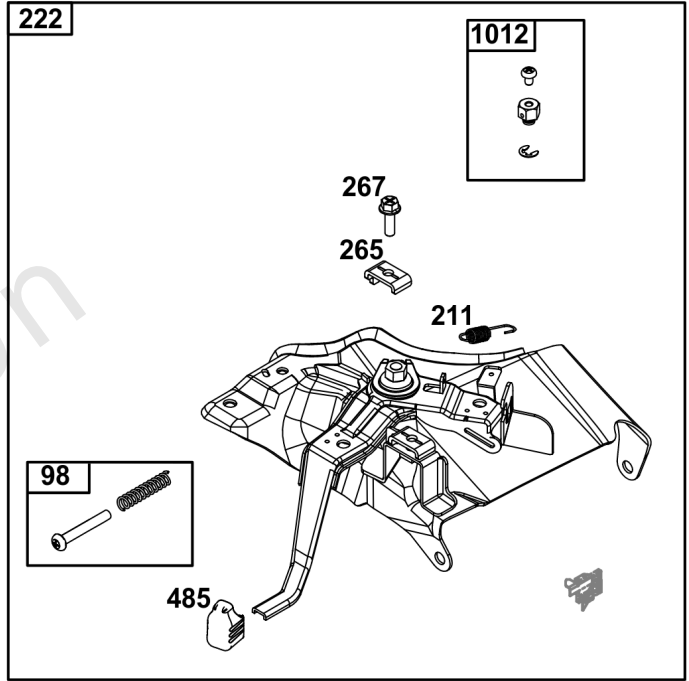
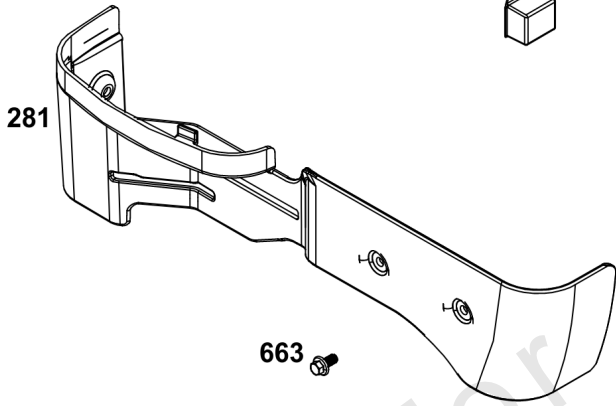
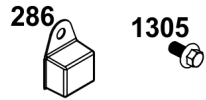
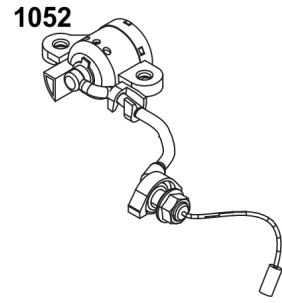
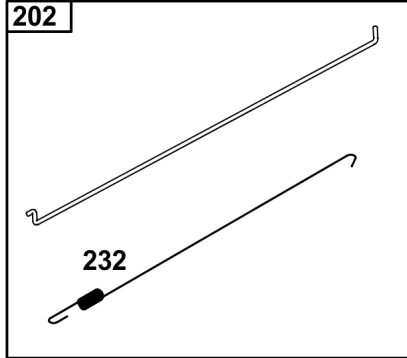
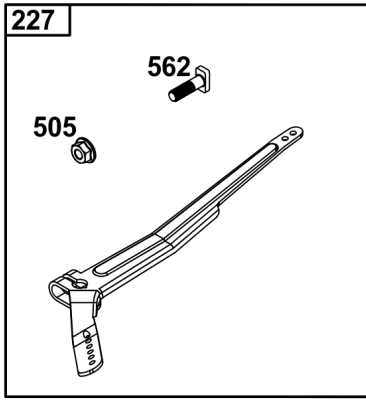


Not For
Reproduction

Carburetor Group

| REF NO | PART NO | QTY | DESCRIPTION |
|--------|----------|-----|---|
| 51 | ----- | 1 | GASKET, Intake -(Part information located in Cylinder Head Group.) |
| 51A | ----- | 1 | GASKET, Intake -(Part information located in Cylinder Head Group.) |
| 53 | 590390 | 2 | STUD -(Carburetor) |
| 117 | 590451 | 1 | JET, Main -(Standard) |
| 118 | 590452 | 1 | JET, Main -(High Altitude) |
| 121 | 84004389 | 1 | KIT, Carburetor Overhaul |
| 122 | 799961 | 1 | SPACER, Carburetor |
| 125 | 799882 | 1 | CARBURETOR |
| 163 | 799883 | 1 | GASKET, Air Cleaner |
| 654 | 690939 | 2 | NUT -(Carburetor) |
| 951 | 593102 | 1 | LEVER, Choke |

Not For Reproduction



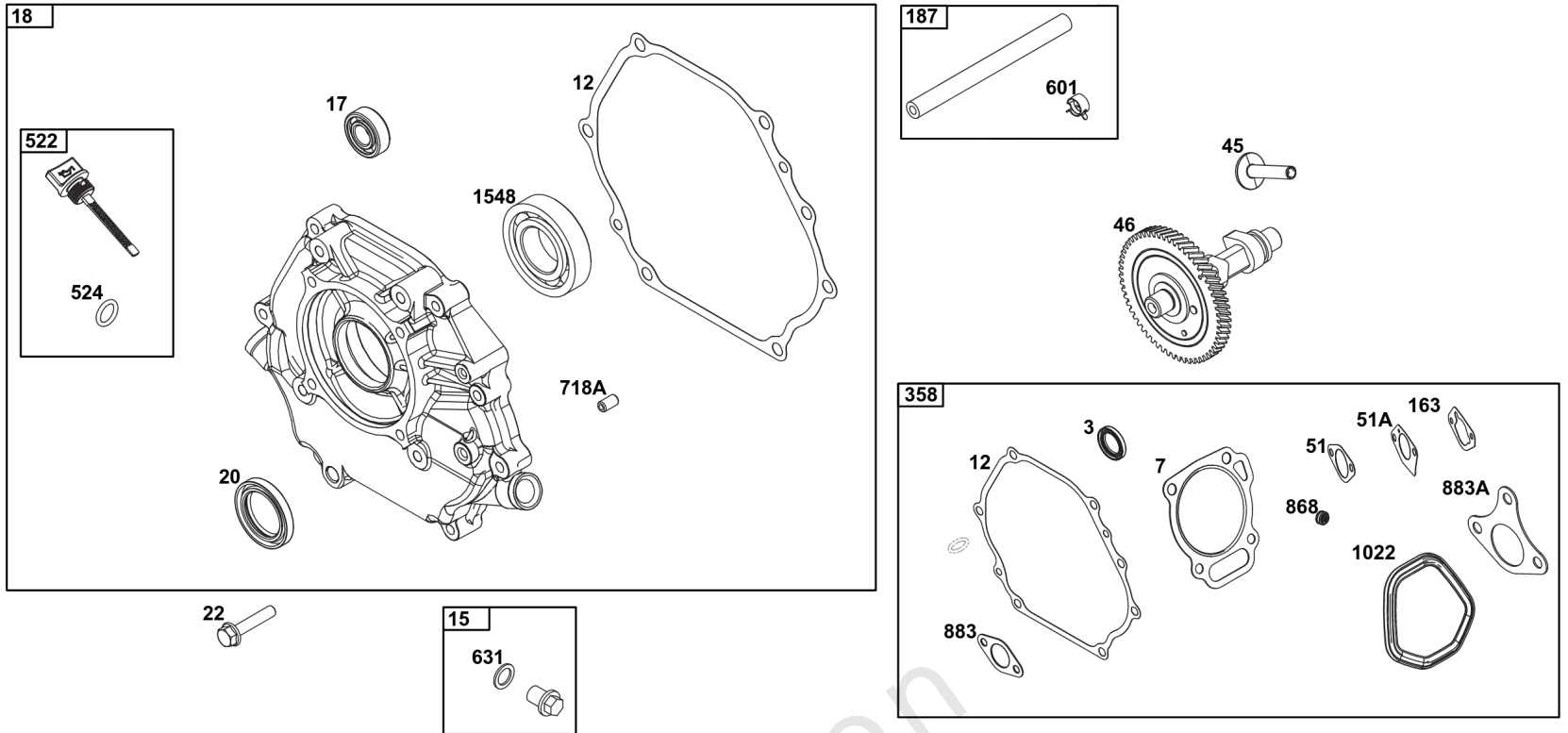
Not For
Reproduction

Controls Group

| REF NO | PART NO | QTY | DESCRIPTION |
|--------|----------|-----|--|
| 98 | 592978 | 1 | KIT, Idle Speed |
| 188 | 798618 | 2 | SCREW -(Control Bracket) |
| 202 | 797810 | 1 | LINK, Mechanical Governor |
| 209 | 591042 | 1 | SPRING, Governor |
| 211 | 799927 | 1 | SPRING, Governed Idle |
| 222 | 590375 | 1 | BRACKET, Control |
| 227 | 799924 | 1 | LEVER, Governor Control |
| 232 | 797809 | 1 | SPRING, Governor Link |
| 265 | 691024 | 1 | CLAMP, Casing |
| 267 | 699492 | 1 | SCREW -(Casing Clamp) |
| 281 | 591055 | 1 | PANEL, Control |
| 286 | 84004388 | 1 | MODULE, Oil Sensor |
| 347 | 797340 | 1 | SWITCH, Rocker |
| 361 | 798618 | 2 | SCREW -(Starting Switch) |
| 367 | 798618 | 2 | SCREW -(Wire Clip) |
| 485 | 797339 | 1 | KNOB, Control |
| 505 | 690939 | 1 | NUT -(Governor Control Lever) |
| 562 | 797230 | 1 | BOLT -(Governor Control Lever) |
| 663 | 799846 | 3 | SCREW -(Control Panel) |
| 729 | 592311 | 1 | CLIP, Wire |
| 789 | 593082 | 1 | HARNESS, Wiring |
| 1012 | 590378 | 2 | RETAINER, Link |
| 1052 | ----- | | SENSOR, Oil -(Part information located in Lubrication Group.) |
| 1305 | 798618 | 1 | SCREW -(Oil Sensor Module) |

Crankcase Cover/Sump Group

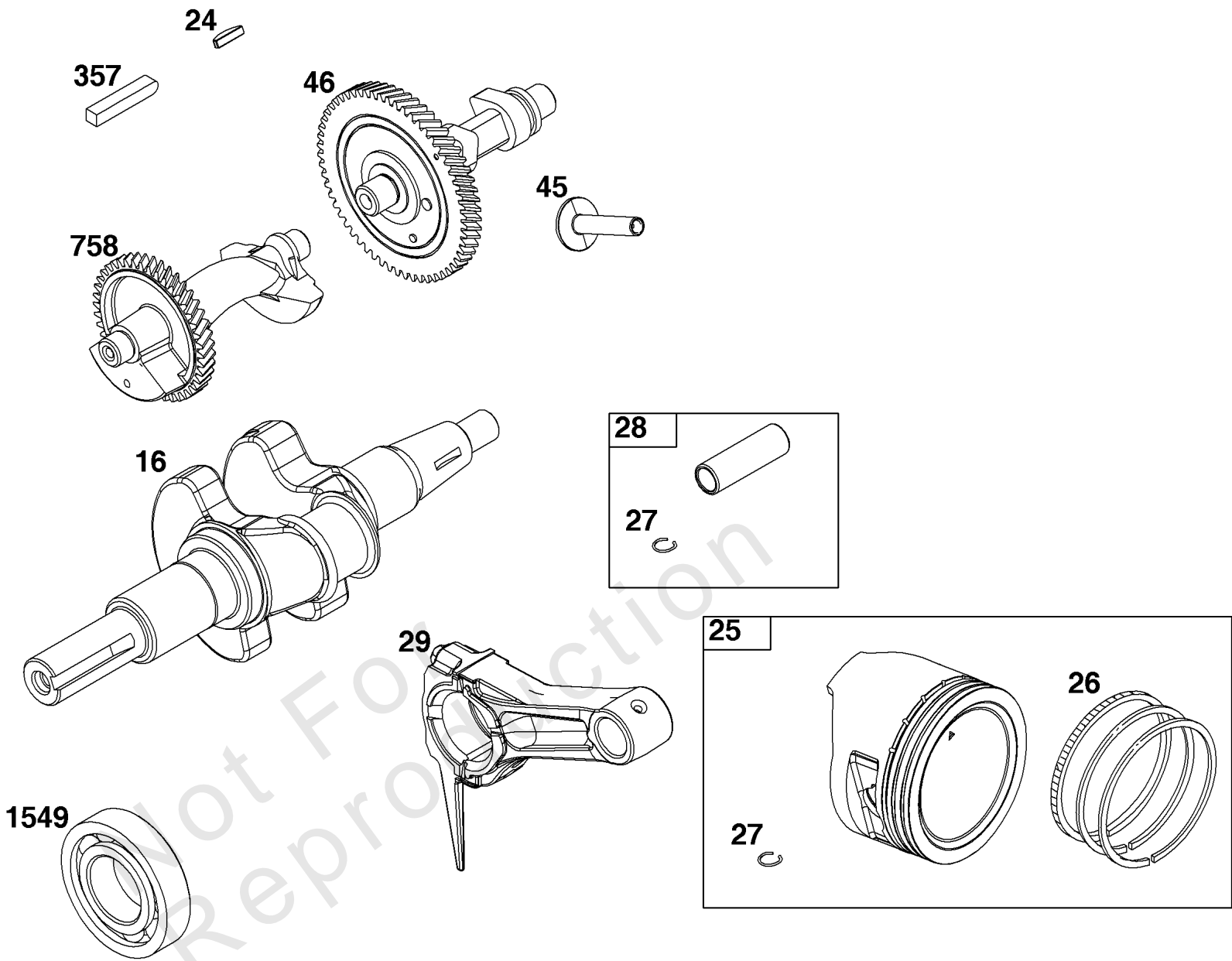
Mfg. No: 25T232-0021-H5



Not For
Reproduction

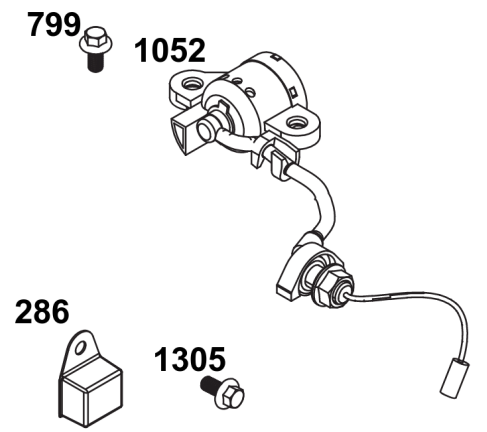
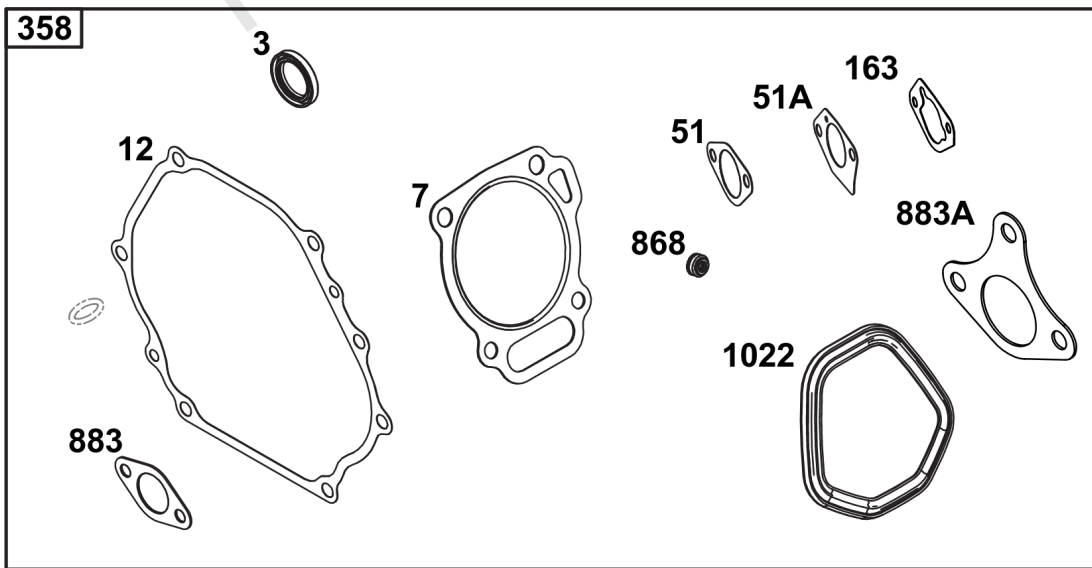
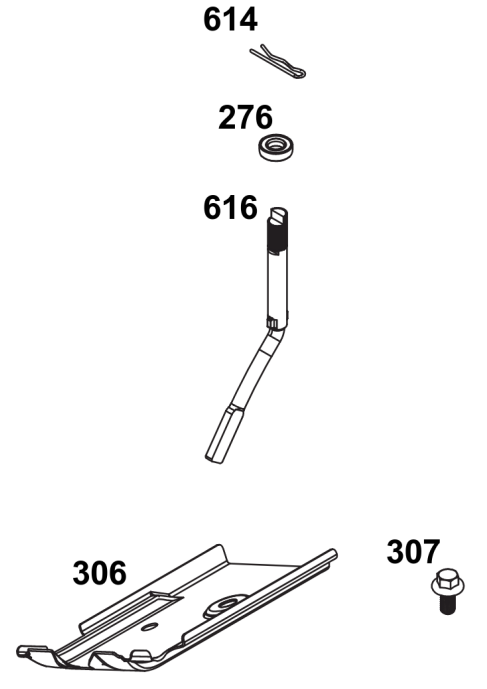
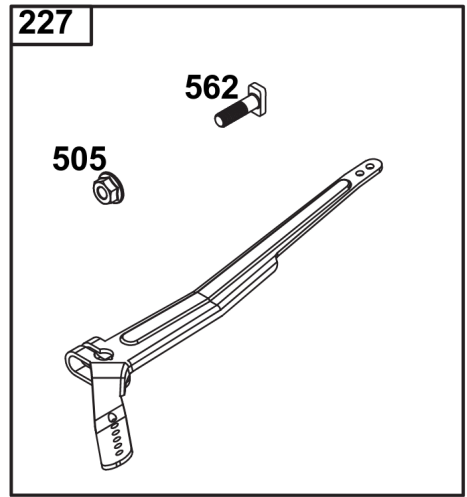
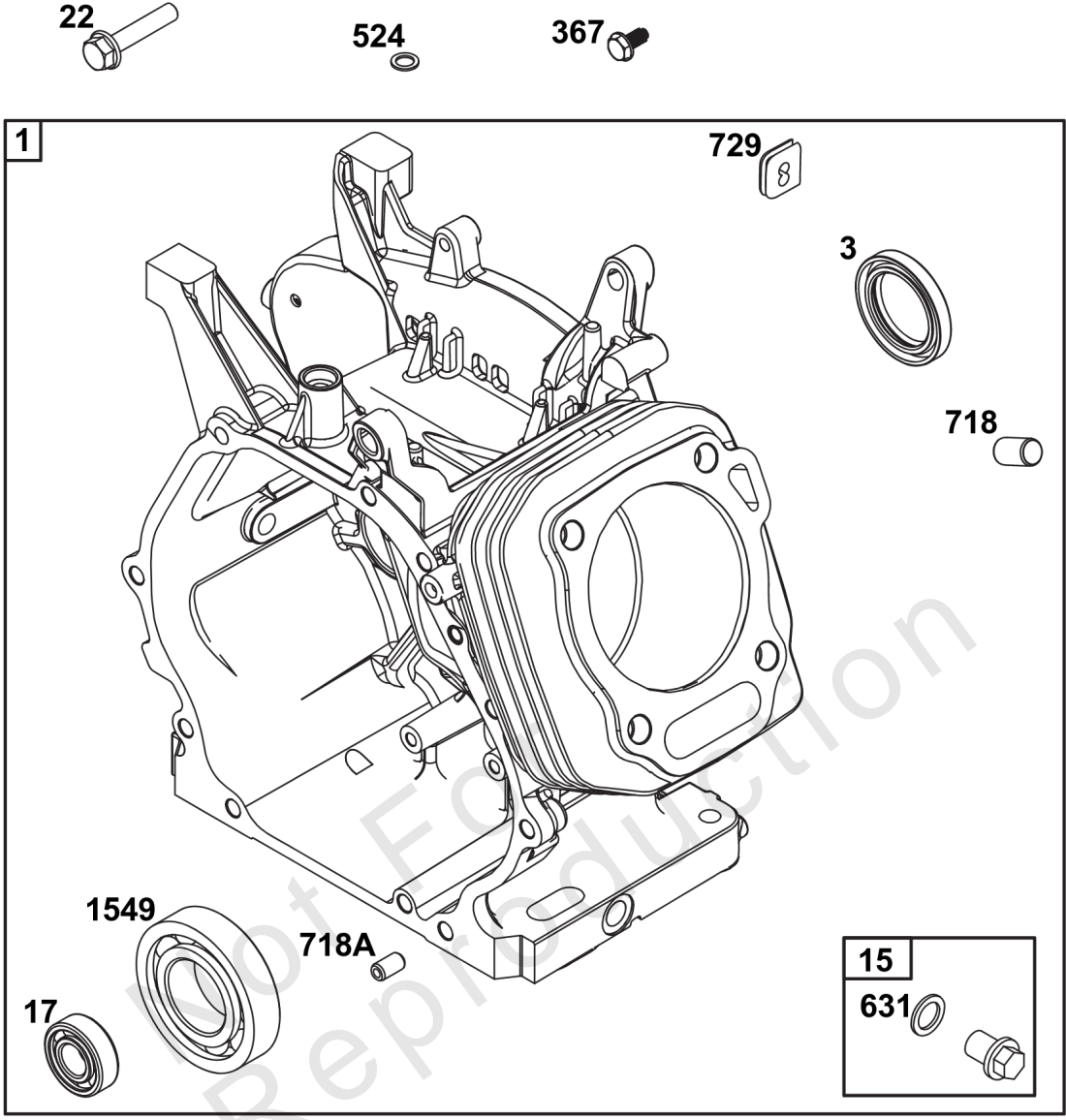
Crankcase Cover/Sump Group

| REF NO | PART NO | QTY | DESCRIPTION |
|--------|---------|-----|--|
| 3 | ----- | 2 | SEAL, Oil -(Part information located in Cylinder Group.) |
| 7 | ----- | 1 | GASKET, Cylinder Head -(Part information located in Cylinder Head Group.) |
| 12 | 797789 | 1 | GASKET, Crankcase |
| 15 | ----- | 2 | PLUG, Oil Drain -(Part information located in Cylinder Group.) |
| 17 | ----- | 2 | BEARING, Ball -(Part information located in Cylinder Group.) |
| 18 | 590962 | 1 | COVER, Crankcase |
| 20 | 797766 | 2 | SEAL, Oil -(PTO Side) |
| 22 | 797795 | 7 | SCREW -(Crankcase Cover/Sump) |
| 45 | ----- | 2 | TAPPET, Valve -(Part information located in Cylinder Head Group.) |
| 46 | ----- | 1 | CAMSHAFT -(Part information located in Crankshaft Group.) |
| 51 | ----- | 1 | GASKET, Intake -(Part information located in Cylinder Head Group.) |
| 51A | ----- | 1 | GASKET, Intake -(Part information located in Cylinder Head Group.) |
| 163 | ----- | 1 | GASKET, Air Cleaner -(Part information located in Carburetor Group.) |
| 187 | ----- | 1 | LINE, Fuel -(Part information located in Fuel Supply Group.) |
| 358 | ----- | 1 | GASKET SET, Engine -(Part information located in Cylinder Group.) |
| 522 | ----- | 2 | PLUG, Dipstick/Fill -(Part information located in Lubrication Group.) |
| 524 | ----- | 2 | SEAL, O-Ring -(Part information located in Lubrication Group.) |
| 601 | ----- | 2 | CLAMP, Hose -(Part information located in Fuel Supply Group.) |
| 631 | ----- | 2 | WASHER -(Part information located in Cylinder Group.) |
| 718A | ----- | 2 | PIN, Locating -(Part information located in Cylinder Group.) |
| 868 | ----- | 1 | SEAL, Valve -(Part information located in Cylinder Head Group.) |
| 883 | ----- | 1 | GASKET, Exhaust -(Part information located in Exhaust Group.) |
| 883A | ----- | 1 | GASKET, Exhaust -(Part information located in Exhaust Group.) |
| 1022 | ----- | 1 | GASKET, Rocker Cover -(Part information located in Cylinder Head Group.) |
| 1548 | 797765 | 1 | BEARING, Ball -(Crankcase Cover/Sump) |



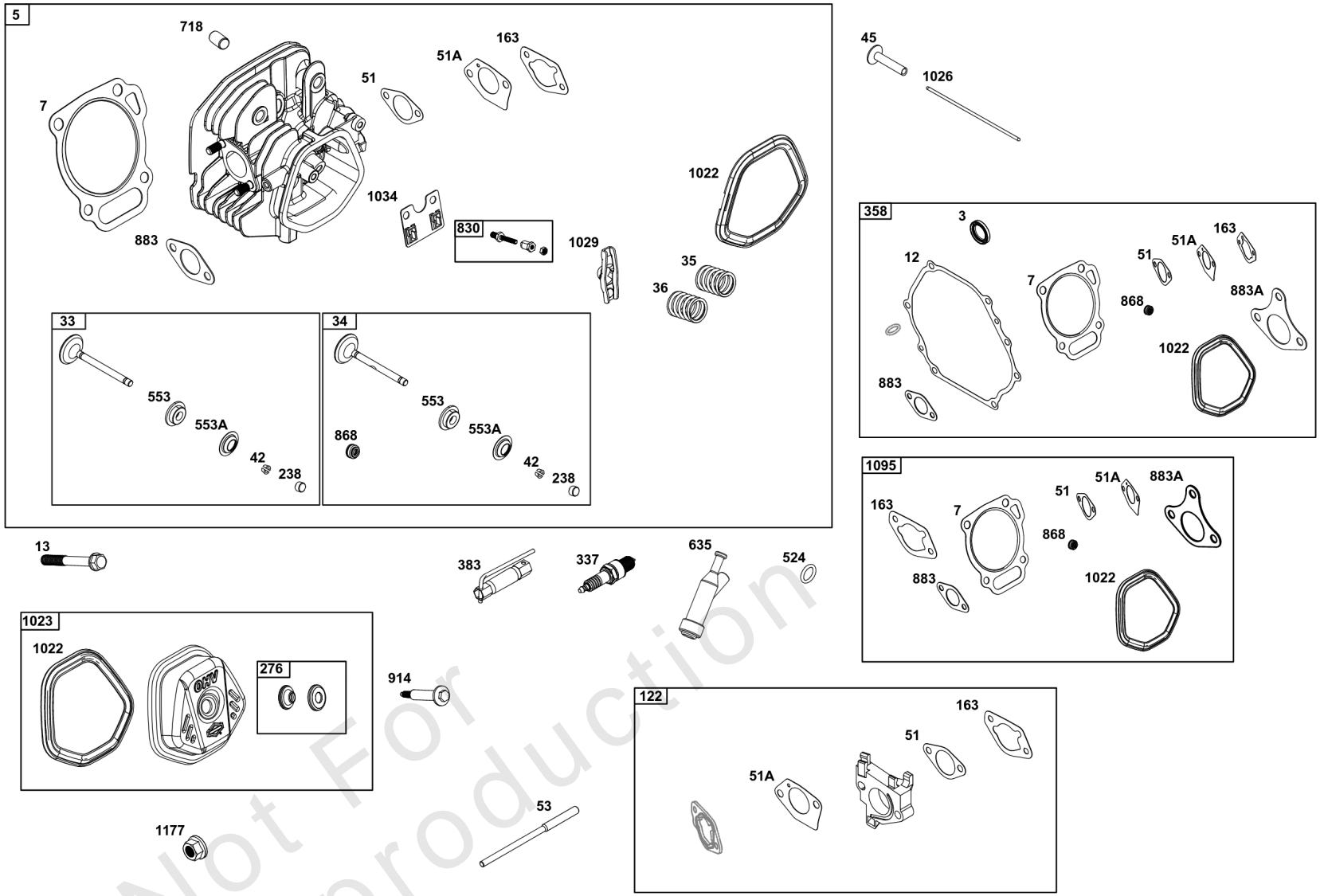
Crankshaft Group

| REF NO | PART NO | QTY | DESCRIPTION |
|--------|---------|-----|--|
| 16 | 590961 | 1 | CRANKSHAFT |
| 24 | 797286 | 1 | KEY, Flywheel |
| 25 | 799535 | 1 | PISTON ASSEMBLY -(Standard) |
| 25 | 799536 | 1 | PISTON ASSEMBLY -(.010 Oversize) |
| 25 | 799537 | 1 | PISTON ASSEMBLY -(.020 Oversize) |
| 26 | 799538 | 1 | SET, Ring -(Standard) |
| 26 | 799539 | 1 | SET, Ring -(.010 Oversize) |
| 26 | 799540 | 1 | SET, Ring -(.020 Oversize) |
| 27 | 797803 | 2 | LOCK, Piston Pin |
| 28 | 797799 | 1 | PIN, Piston |
| 29 | 797804 | 1 | ROD, Connecting |
| 45 | ----- | | TAPPET, Valve -(Part information located in Cylinder Head Group.) |
| 46 | 797851 | 1 | CAMSHAFT |
| 357 | 590960 | 1 | KEY, Drive Pulley |
| 758 | 797852 | 1 | COUNTERWEIGHT |
| 1549 | 797765 | 1 | BEARING, Ball -(Crankshaft) |



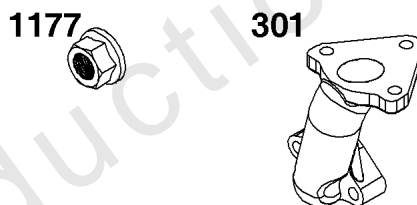
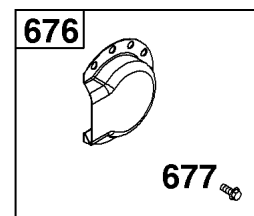
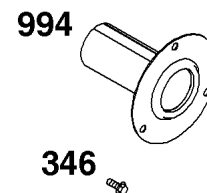
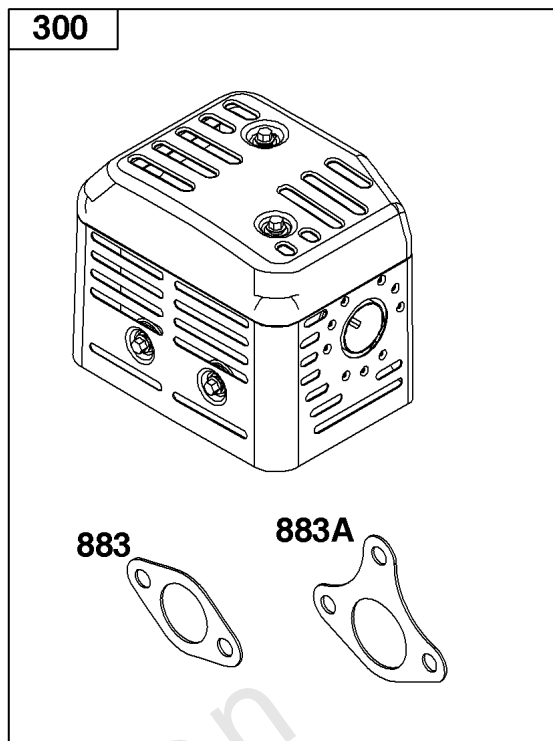
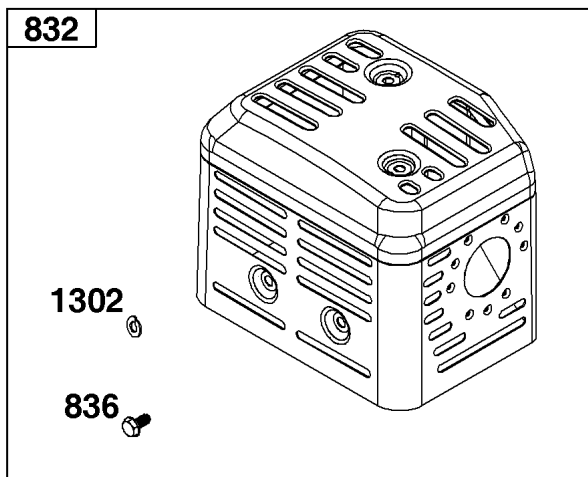
Cylinder Group

| REF NO | PART NO | QTY | DESCRIPTION |
|--------|---------|-----|---|
| 1 | 799979 | 1 | CYLINDER ASSEMBLY |
| 3 | 797766 | 2 | SEAL, Oil -(Magneto Side) |
| 7 | ----- | 1 | GASKET, Cylinder Head -(Part information located in Cylinder Head Group.) |
| 12 | ----- | 1 | GASKET, Crankcase -(Part information located in Crankcase Cover/Sump Group.) |
| 15 | 797793 | 2 | PLUG, Oil Drain |
| 17 | 797764 | 2 | BEARING, Ball -(Cylinder) |
| 22 | ----- | 7 | SCREW -(Part information located in Crankcase Cover/Sump Group.) |
| 51 | ----- | 1 | GASKET, Intake -(Part information located in Cylinder Head Group.) |
| 51A | ----- | 1 | GASKET, Intake -(Part information located in Cylinder Head Group.) |
| 163 | ----- | 1 | GASKET, Air Cleaner -(Part information located in Carburetor Group.) |
| 227 | ----- | 1 | LEVER, Governor Control -(Part information located in Controls Group.) |
| 276 | 797806 | 1 | WASHER, Sealing |
| 286 | ----- | 1 | MODULE, Oil Sensor -(Part information located in Controls Group.) |
| 306 | 797749 | 1 | SHIELD, Cylinder |
| 307 | 798618 | 1 | SCREW -(Cylinder Shield) |
| 358 | 799952 | 1 | GASKET SET, Engine -(Service Kits can include parts not for this engine.) |
| 367 | ----- | 2 | SCREW -(Part information located in Controls Group.) |
| 505 | ----- | 2 | NUT -(Part information located in Controls Group.) |
| 524 | ----- | 2 | SEAL, O-Ring -(Part information located in Lubrication Group.) |
| 562 | ----- | 1 | BOLT -(Part information located in Controls Group.) |
| 614 | 797229 | 1 | PIN, Cotter |
| 616 | 797805 | 1 | CRANK, Governor |
| 631 | 797794 | 2 | WASHER |
| 718 | 797792 | 2 | PIN, Locating |
| 718A | 797761 | 2 | PIN, Locating |
| 729 | ----- | 1 | CLIP, Wire -(Part information located in Flywheel/Ignition/Starter Group.) |
| 799 | ----- | 2 | SCREW -(Part information located in Lubrication Group.) |
| 868 | ----- | 1 | SEAL, Valve -(Part information located in Cylinder Head Group.) |
| 883 | ----- | 1 | GASKET, Exhaust -(Part information located in Exhaust Group.) |
| 883A | ----- | 1 | GASKET, Exhaust -(Part information located in Exhaust Group.) |
| 1022 | ----- | 1 | GASKET, Rocker Cover -(Part information located in Cylinder Head Group.) |
| 1052 | ----- | 1 | SENSOR, Oil -(Part information located in Lubrication Group.) |
| 1305 | ----- | 1 | SCREW -(Part information located in Controls Group.) |
| 1549 | ----- | 1 | BEARING, Ball -(Part information located in Crankshaft Group.) |



Cylinder Head Group

| REF NO | PART NO | QTY | DESCRIPTION |
|--------|---------|-----|--|
| 3 | ----- | 1 | SEAL, Oil -(Part information located in Cylinder Group.) |
| 5 | 799801 | 1 | HEAD, Cylinder |
| 7 | 799534 | 1 | GASKET, Cylinder Head |
| 12 | ----- | 1 | GASKET, Crankcase |
| 13 | 797791 | 4 | SCREW -(Cylinder Head) |
| 33 | 797778 | 1 | VALVE, Exhaust |
| 34 | 797777 | 1 | VALVE, Intake |
| 35 | 797780 | 1 | SPRING, Valve -(Intake) |
| 36 | 797780 | 1 | SPRING, Valve -(Exhaust) |
| 42 | 797783 | 4 | KEEPER, Valve |
| 45 | 797786 | 2 | TAPPET, Valve |
| 51 | 797845 | 1 | GASKET, Intake |
| 51A | 797755 | 1 | GASKET, Intake |
| 53 | ----- | 2 | STUD -(Part information located in Carburetor Group.) |
| 122 | ----- | 1 | SPACER, Carburetor -(Part information located in Carburetor Group.) |
| 163 | ----- | 1 | GASKET, Air Cleaner -(Part information located in Carburetor Group.) |
| 238 | 797784 | 2 | CAP, Valve |
| 276 | 590987 | 1 | WASHER, Sealing |
| 276 | 797847 | 1 | WASHER, Sealing |
| 337 | 798615 | 1 | PLUG, Spark |
| 358 | ----- | 1 | GASKET SET, Engine -(Part information located in Cylinder Group.) |
| 383 | 19576S | 1 | WRENCH, Spark Plug |
| 524 | ----- | 2 | SEAL, O-Ring -(Part information located in Crankcase Cover/Sump and Lubrication Group.) |
| 553 | 797781 | 2 | RETAINER, Valve |
| 553A | 797782 | 1 | RETAINER, Valve |
| 635 | 797658 | 1 | BOOT, Spark Plug |
| 718 | ----- | 1 | PIN, Locating -(Part information located in Cylinder Group.) |
| 830 | 591088 | 2 | STUD, Rocker Arm |
| 868 | 797854 | 1 | SEAL, Valve |
| 883 | ----- | 1 | GASKET, Exhaust -(Part information located in Exhaust Group.) |
| 883A | ----- | 1 | GASKET, Exhaust -(Part information located in Exhaust Group.) |
| 914 | 797848 | 1 | SCREW -(Rocker Cover) |
| 1022 | 797846 | 1 | GASKET, Rocker Cover |
| 1023 | 799778 | 1 | COVER, Rocker |
| 1026 | 799966 | 2 | ROD, Push |
| 1029 | 591087 | 2 | ARM, Rocker |
| 1034 | 797787 | 1 | GUIDE, Push Rod |
| 1095 | 799953 | 1 | GASKET SET, Valve -(Service Kits may include extra parts not specific to this engine.) |
| 1177 | ----- | 5 | NUT -(Part information located in Exhaust Group.) |

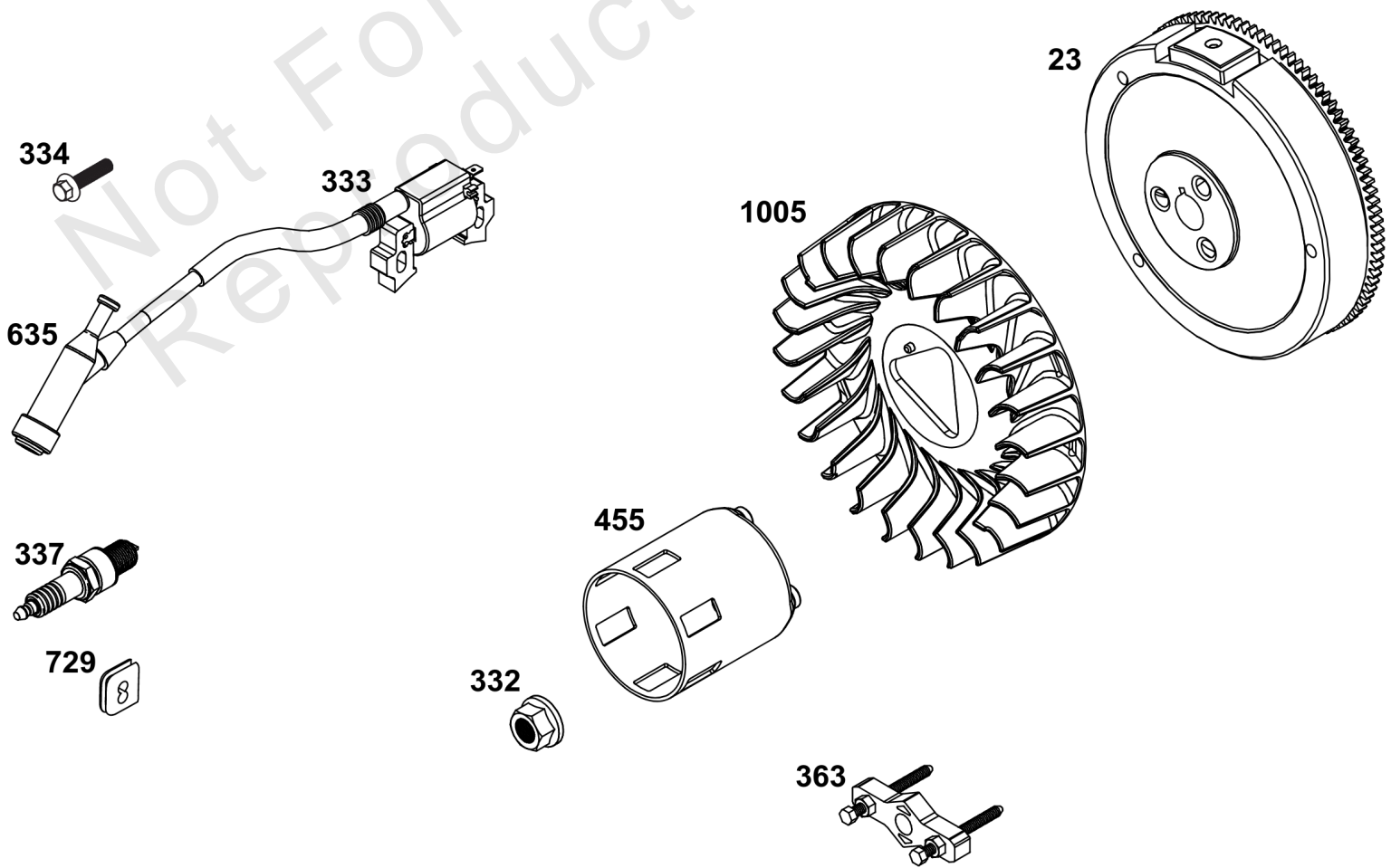
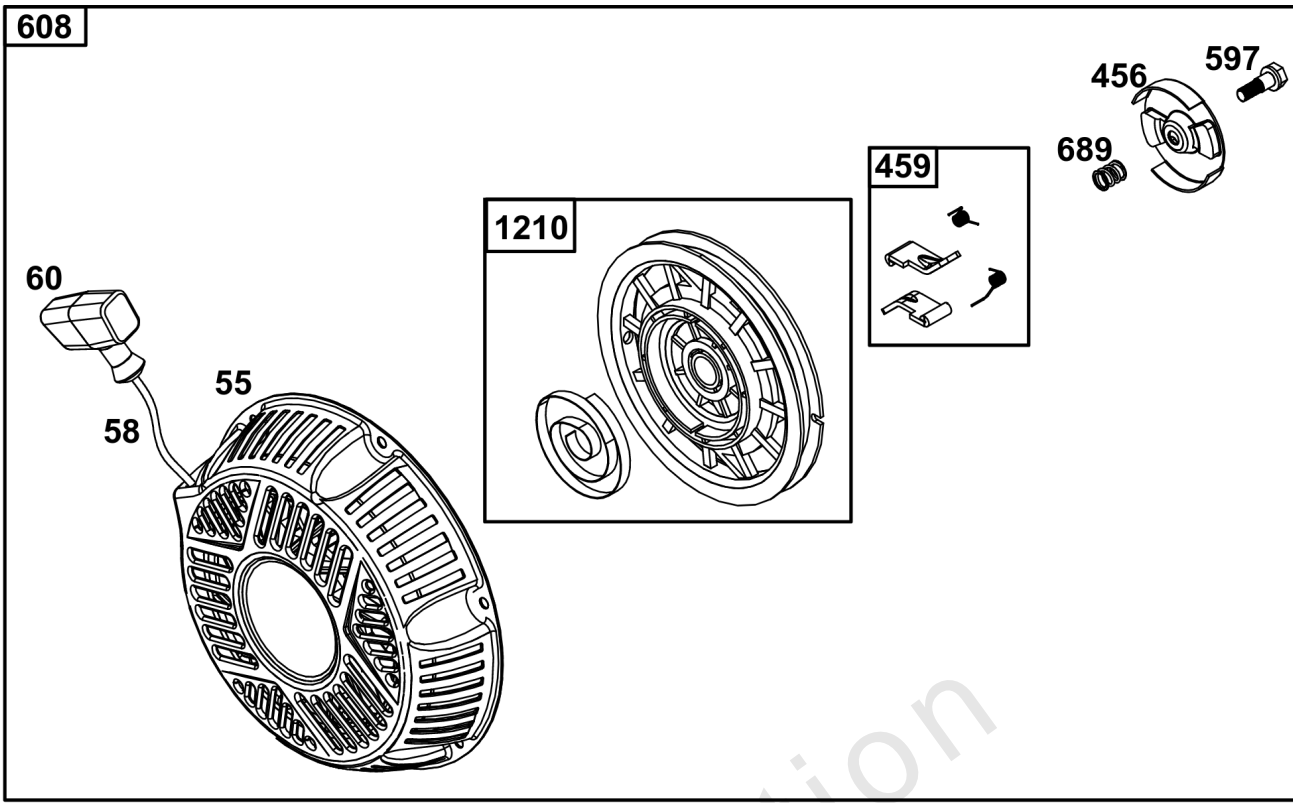


Not For
Reproduction

Exhaust Group

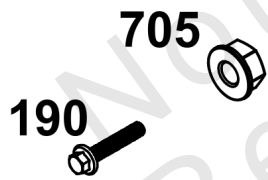
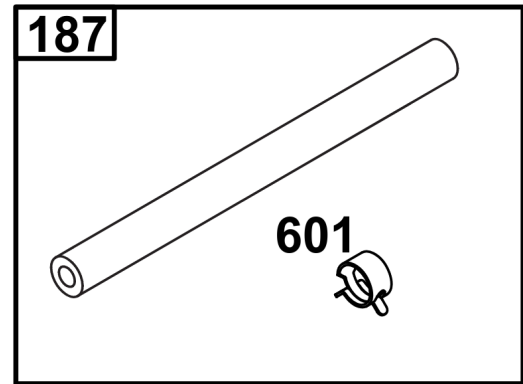
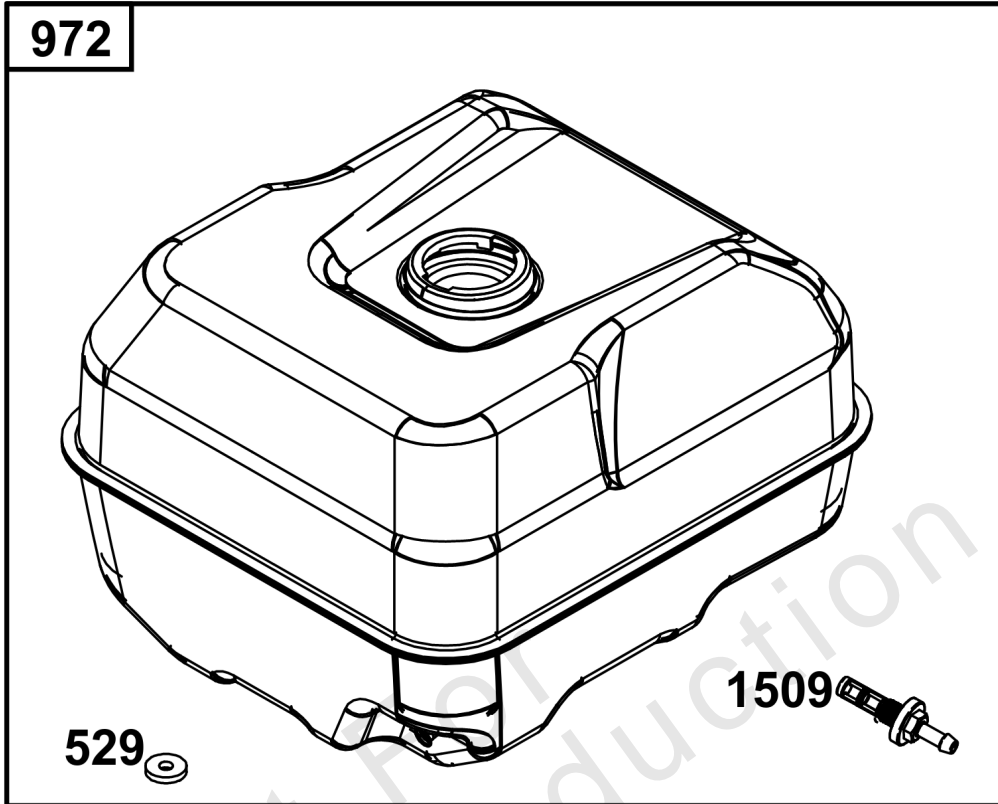
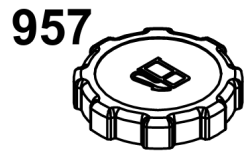
| REF NO | PART NO | QTY | DESCRIPTION |
|--------|---------|-----|-------------------------------|
| 300 | 590379 | 1 | MUFFLER |
| 301 | 799796 | 1 | MANIFOLD, Exhaust |
| 346 | 699203 | 3 | SCREW -(Spark Arrestor) |
| 676 | 590953 | 1 | DEFLECTOR, Muffler |
| 677 | 699203 | 3 | SCREW -(Muffler Deflector) |
| 832 | 590380 | 1 | GUARD, Muffler |
| 836 | 798976 | 4 | SCREW -(Muffler Guard) |
| 883 | 797770 | 1 | GASKET, Exhaust |
| 883A | 799797 | 1 | GASKET, Exhaust |
| 994 | 796399 | 1 | ARRESTOR, Spark |
| 1177 | 590965 | 2 | NUT -(Muffler) |
| 1302 | 590457 | 4 | WASHER -(Muffler Guard) |

Not For Reproduction



Flywheel, Ignition, and Starter Group

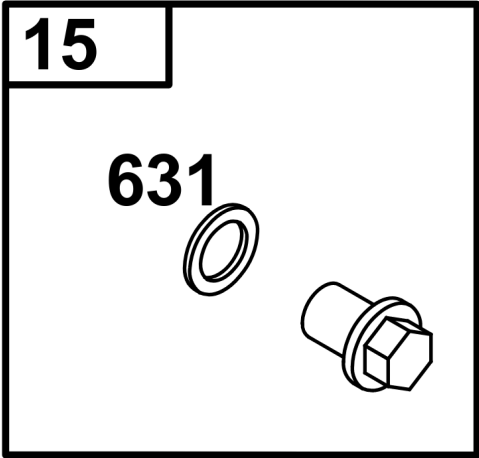
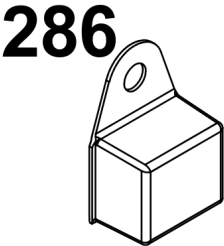
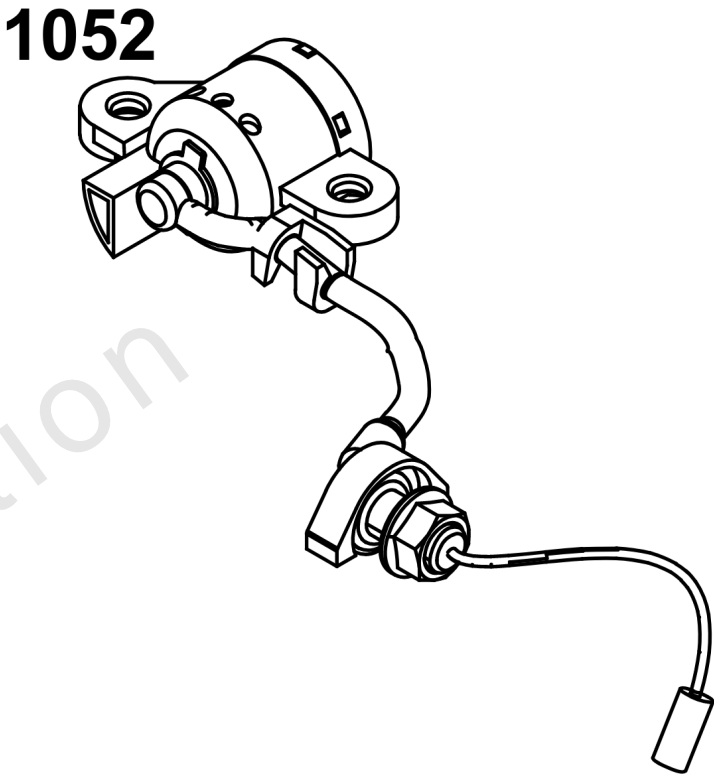
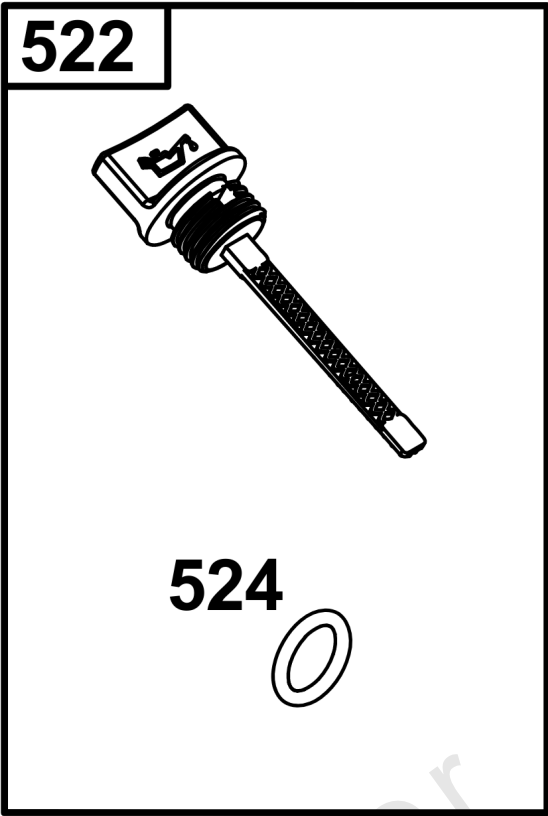
| REF NO | PART NO | QTY | DESCRIPTION |
|---------------|----------------|------------|---|
| 23 | 797813 | 1 | FLYWHEEL |
| 55 | 799974 | 1 | HOUSING, Rewind Starter |
| 58 | 693389 | 1 | ROPE, Starter |
| 60 | 691915 | 1 | GRIP, Starter Rope |
| 65 | 797654 | 3 | SCREW -(Rewind Starter) |
| 332 | 797811 | 1 | NUT -(Flywheel) |
| 333 | 797769 | 1 | ARMATURE, Magneto |
| 334 | 797655 | 2 | SCREW -(Magneto Armature) |
| 337 | ----- | 1 | PLUG, Spark -(Part information located in Cylinder Head Group.) |
| 363 | 19203 | 1 | PULLER, Flywheel |
| 455 | 797746 | 1 | CUP, Flywheel |
| 456 | 799973 | 1 | PLATE, Pawl Friction |
| 459 | 799976 | 2 | PAWL, Ratchet |
| 597 | 799972 | 1 | SCREW -(Pawl Friction Plate) |
| 608 | 797747 | 1 | STARTER, Rewind |
| 635 | ----- | 1 | BOOT, Spark Plug -(Part information located in Cylinder Head Group.) |
| 689 | 799669 | 1 | SPRING, Friction |
| 729 | 797750 | 1 | CLIP, Wire |
| 1005 | 797748 | 1 | FAN, Flywheel |
| 1210 | 799975 | 1 | PULLEY/SPRING ASSEMBLY |



Fuel Supply Group

| REF NO | PART NO | QTY | DESCRIPTION |
|--------|---------|-----|-----------------------|
| 187 | 595725 | 1 | LINE, Fuel |
| 190 | 590964 | 2 | SCREW -(Fuel Tank) |
| 529 | 799933 | 2 | GROMMET |
| 601 | 791850 | 2 | CLAMP, Hose |
| 703 | 590967 | 1 | CLIP |
| 705 | 590965 | 2 | NUT -(Fuel Tank) |
| 957 | 794641 | 1 | CAP, Fuel Tank |
| 972 | 590966 | 1 | TANK, Fuel |
| 1509 | 797346 | 1 | OUTLET, Tank |

Not For Reproduction



Lubrication Group

| REF NO | PART NO | QTY | DESCRIPTION |
|--------|----------|-----|--|
| 15 | ----- | 2 | PLUG, Oil Drain -(Part information located in Cylinder Group.) |
| 286 | ----- | 1 | MODULE, Oil Sensor -(Part information located in Controls Group.) |
| 522 | 84004387 | 2 | PLUG, Dipstick/Fill |
| 524 | 84004385 | 2 | SEAL, O-Ring -(Dipstick Tube) |
| 631 | ----- | 2 | WASHER -(Part information located in Cylinder Group.) |
| 799 | 798975 | 2 | SCREW -(Oil Sensor) |
| 1052 | 797771 | 1 | SENSOR, Oil |
| 1305 | ----- | 1 | SCREW -(Part information located in Controls Group.) |

Not For Reproduction

