



Parts Manual

Mfg. No: 44N677-0017-B5



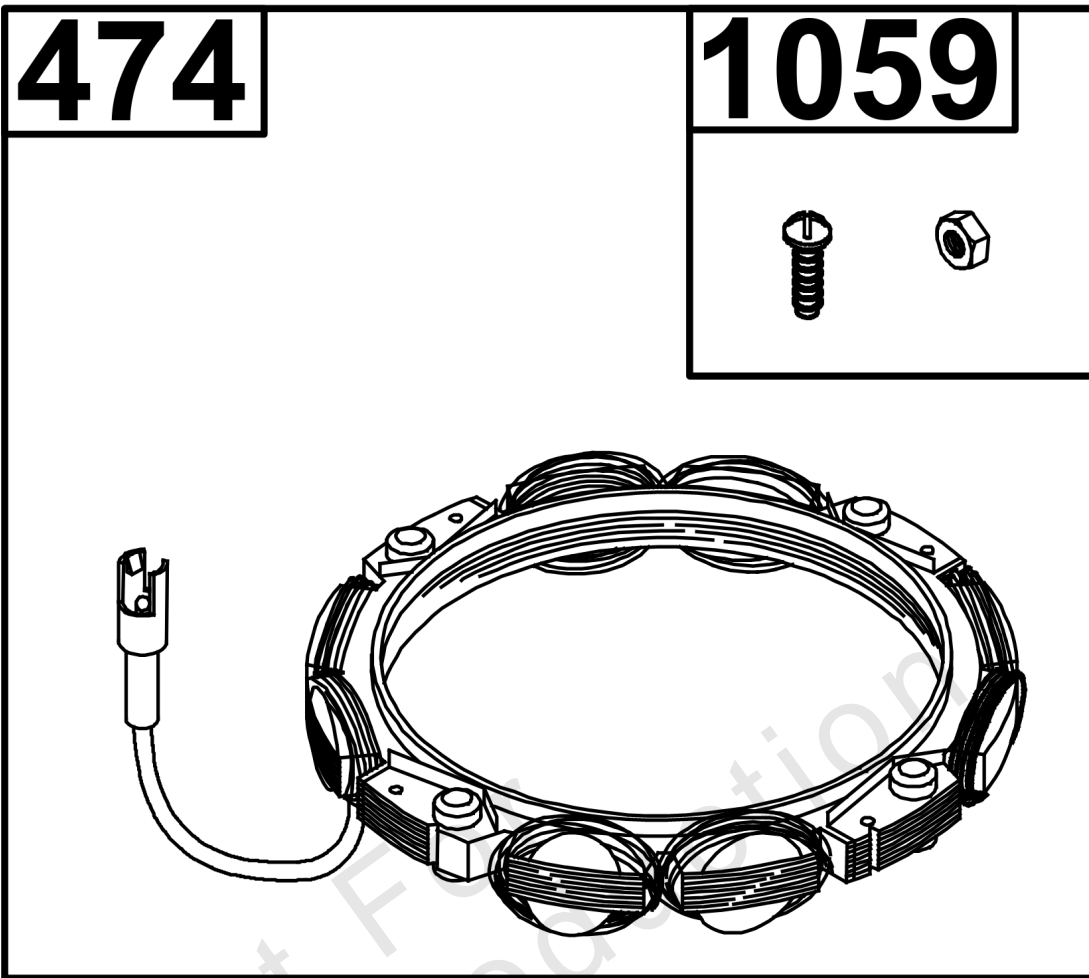
Model Components	Page
Alternator Group.....	4
Blower Housing and Air Cleaner Group.....	6
Carburetor and Fuel Supply Group.....	8
Controls Group.....	10
Crankcase Cover/Sump Group.....	12
Crankshaft Group.....	14
Cylinder Group.....	16
Cylinder Head Group.....	20
Flywheel, Ignition, and Starter Group.....	24
Lubrication Group.....	26

Not For
Reproduction

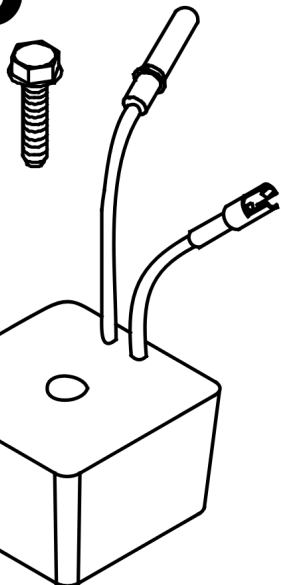
474

1059

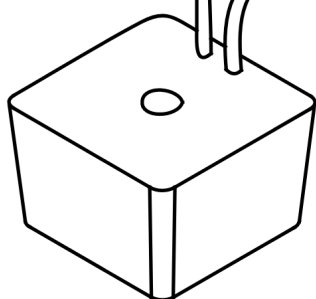
1119



526



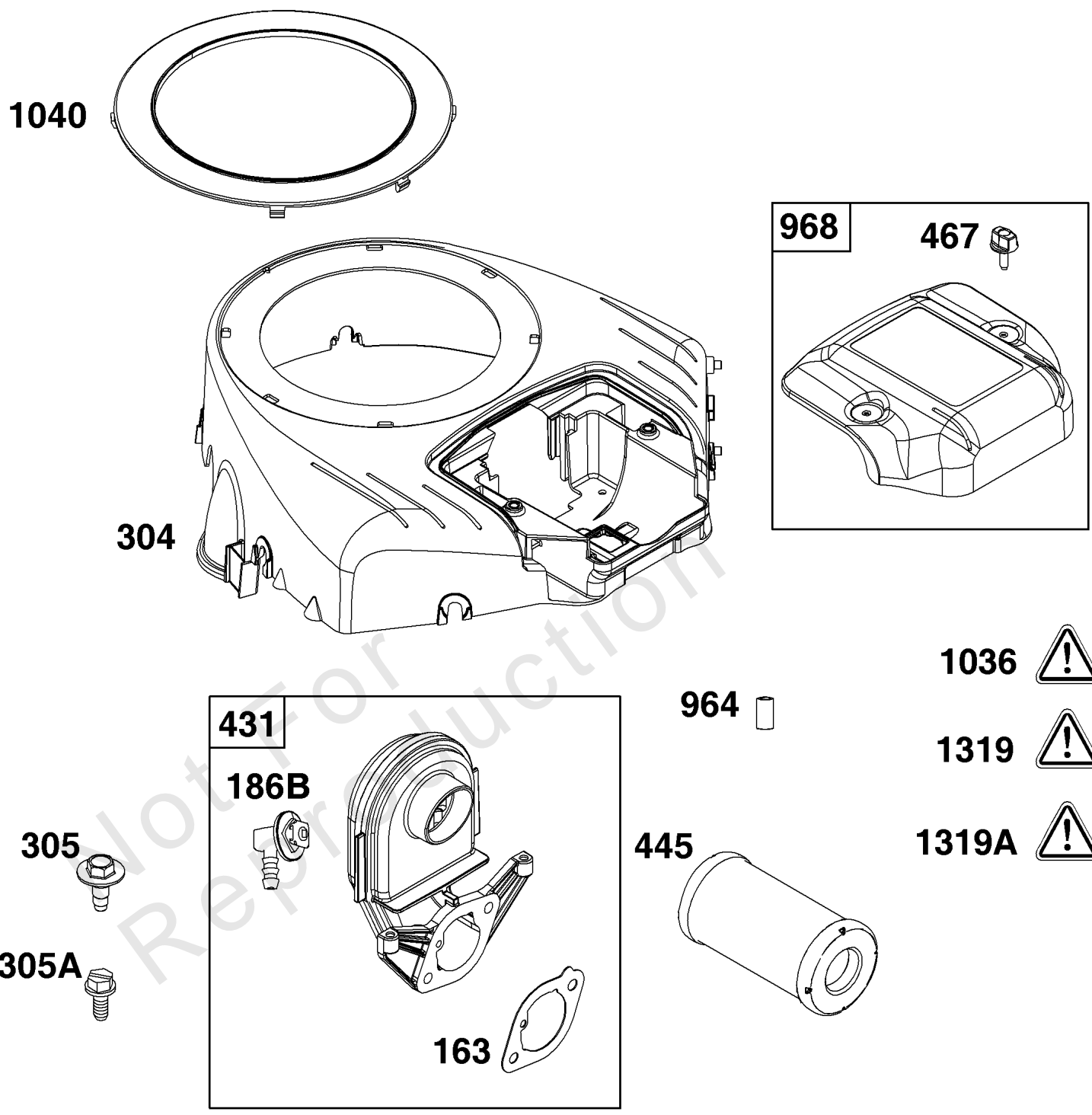
501



Alternator Group

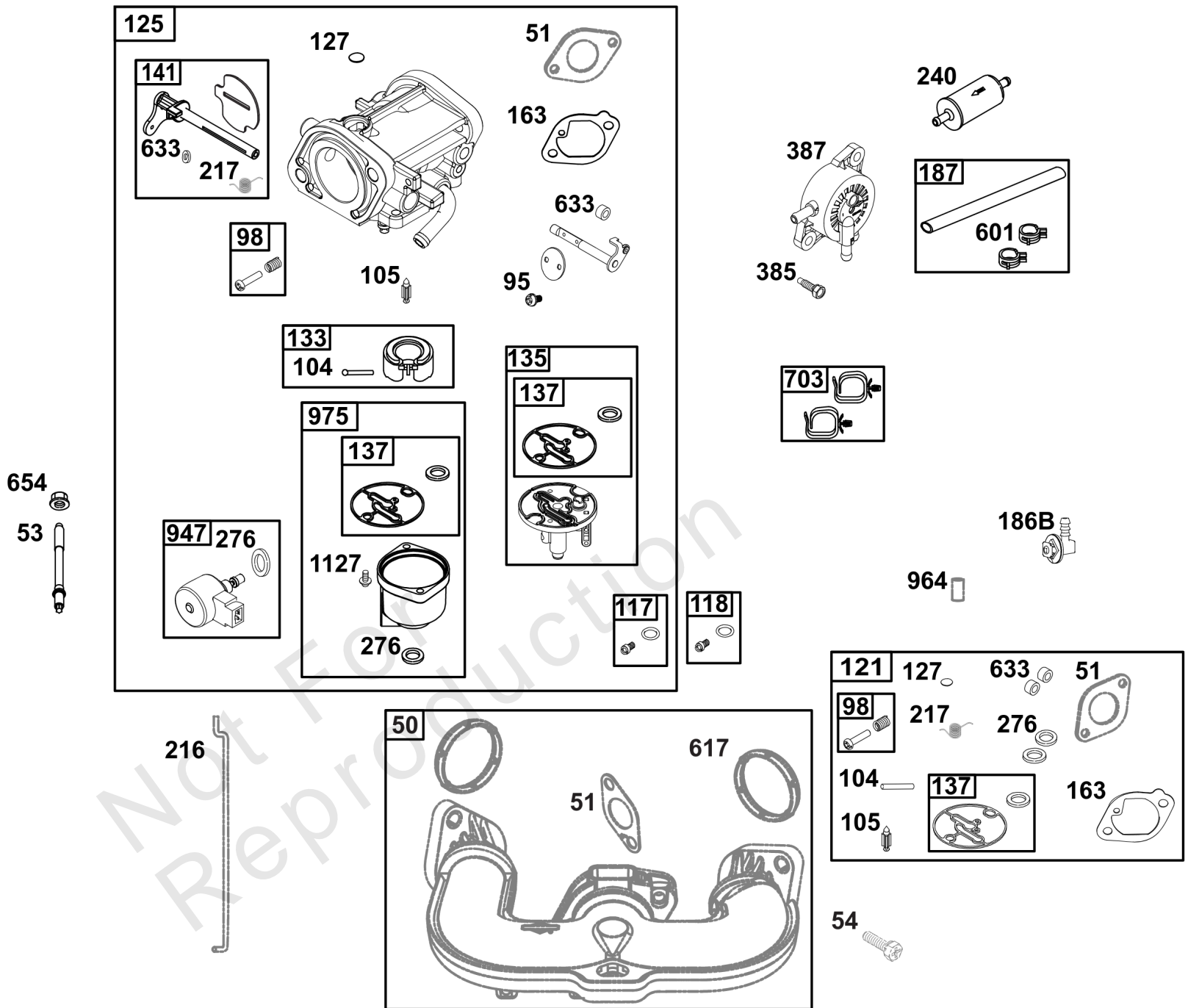
REF NO	PART NO	QTY	DESCRIPTION
474	592829	1	ALTERNATOR -(5/9 Amp. Regulated)
501	794360	1	REGULATOR
526	691129	2	SCREW -(Regulator)
1059	698516	1	KIT, Screw/Washer
1119	691183	4	SCREW -(Alternator)

Not For Reproduction



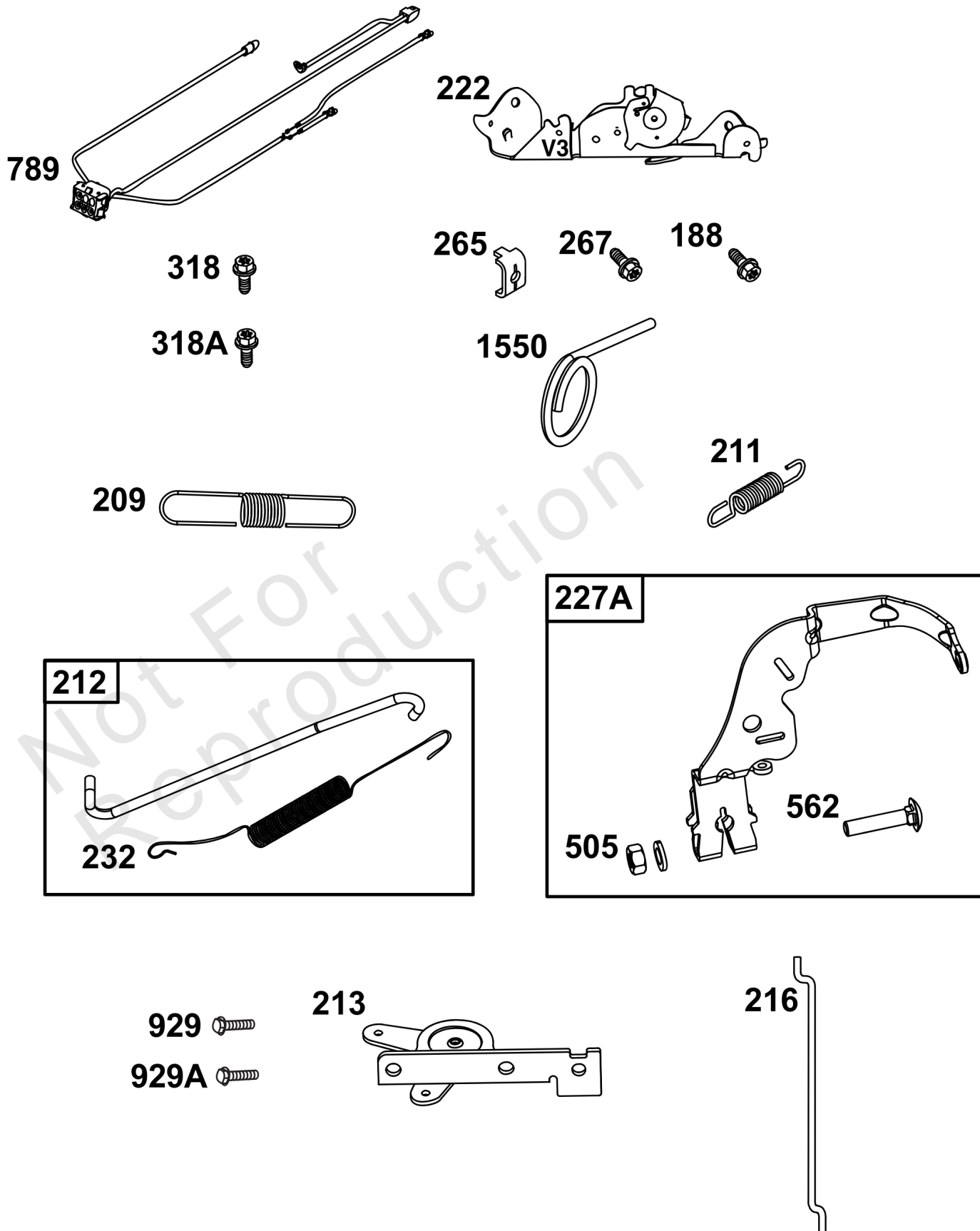
Blower Housing and Air Cleaner Group

REF NO	PART NO	QTY	DESCRIPTION
163	-----	1	GASKET, Air Cleaner -(Part information located in Carburetor and Fuel Supply Group.)
186B	-----	1	CONNECTOR, Hose -(Part information located in Carburetor and Fuel Supply Group.)
304	591656	1	HOUSING, Blower
305	594618	1	SCREW -(Blower Housing)
305A	790690	2	SCREW -(Blower Housing)
431	594205	1	ELBOW, Intake
445	594201	1	FILTER, A/C Cartridge
467	591660	2	KNOB, Air Cleaner Cover
964	799159	1	CAP, Connector
968	591658	1	COVER, Air Cleaner
1036	-----	1	LABEL, Emissions -(Available from a Briggs & Stratton Authorized Dealer)
1040	791237	1	PLATE, Trim
1319	794467	1	LABEL, Warning -(REQUIRED When Replacing Parts With Warning Labels Affixed)
1319A	797669	1	LABEL, Warning -(REQUIRED When Replacing Parts With Warning Labels Affixed)



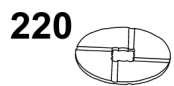
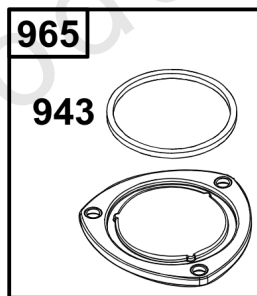
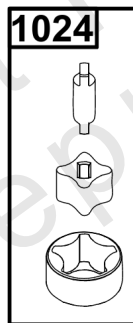
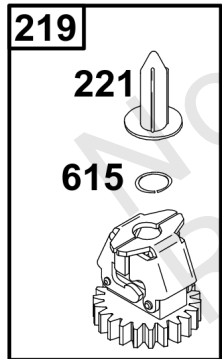
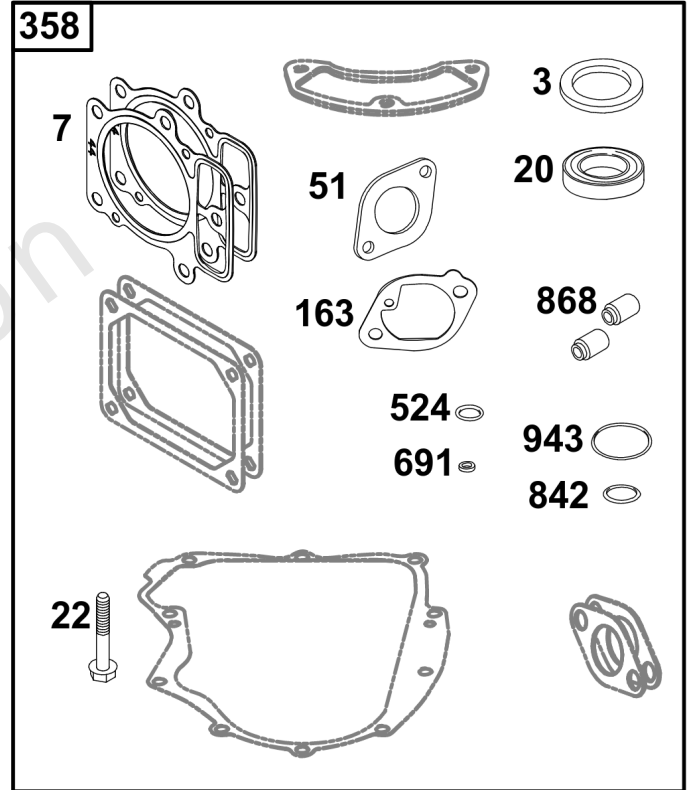
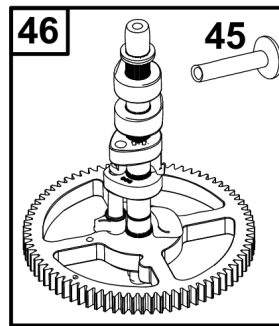
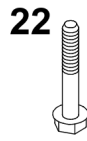
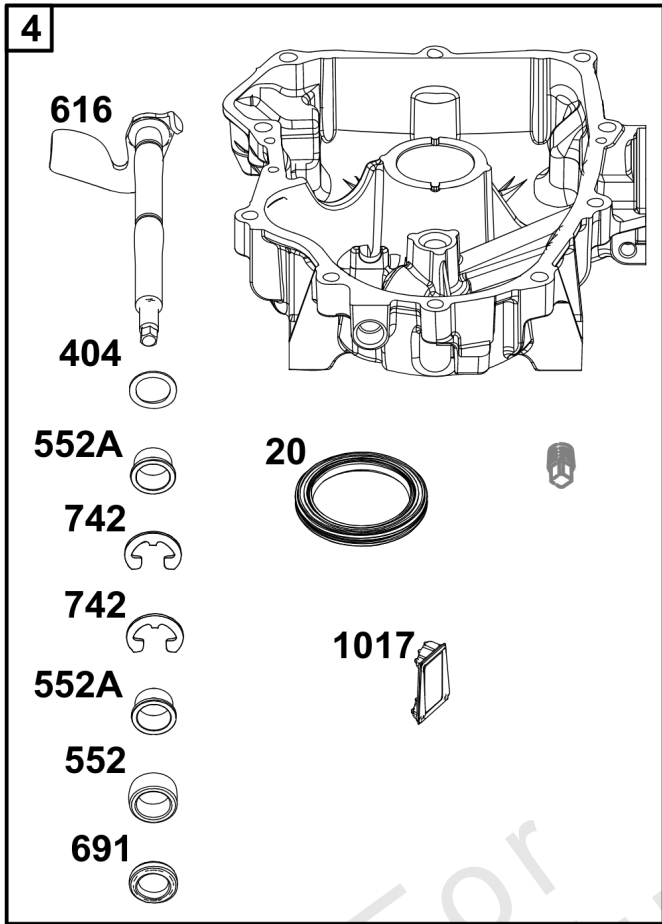
Carburetor and Fuel Supply Group

REF NO	PART NO	QTY	DESCRIPTION
50	-----	1	MANIFOLD, Intake -(Part information located in Cylinder Head Group.)
51	-----	1	GASKET, Intake -(Part information located in Cylinder Head Group.)
53	690951	2	STUD -(Carburetor)
54	-----		SCREW -(Part information located in Cylinder Head Group.)
95	690718	2	SCREW -(Throttle Valve)
98	695408	1	KIT, Idle Speed
104	694918	1	PIN, Float Hinge
105	698537	1	VALVE, Float Needle
117	842585	1	JET, Main -(Standard)
118	791502	1	JET, Main -(High Altitude)
121	-----	1	KIT, Carburetor Overhaul -(Part information located in Service Parts and Tools Group.)
125	594207	1	CARBURETOR
127	699810	1	PLUG, Welch
133	694914	1	FLOAT, Carburetor
135	591701	1	TUBE, Fuel Transfer
137	698781	1	GASKET, Float Bowl
141	594211	1	KIT, Choke Shaft
163	594203	1	GASKET, Intake
186B	845141	1	CONNECTOR, Hose
187	791766	1	LINE, Fuel
216	-----	1	LINK, Choke -(Part information located in Controls Group.)
217	799771	1	SPRING, Choke Return
240	84001895	1	FILTER, Fuel
276	695410	1	WASHER, Sealing
385	797409	2	SCREW -(Fuel Pump)
387	597338	1	PUMP, Fuel
601	691038	2	CLAMP, Hose
617	-----	2	SEAL, O-Ring -(Part information located in Cylinder Head Group.)
633	699813	1	SEAL, Choke/Throttle Shaft
654	690958	2	NUT -(Carburetor)
703	691010	2	CLIP
947	596039	1	SOLENOID, Fuel
964	-----	1	CAP, Connector -(Part information located in Blower Housing and Air Cleaner Group.)
975	591699	1	BOWL, Float
1127	695407	2	SCREW -(Float Bowl) (Float Bowl to Carburetor Body)



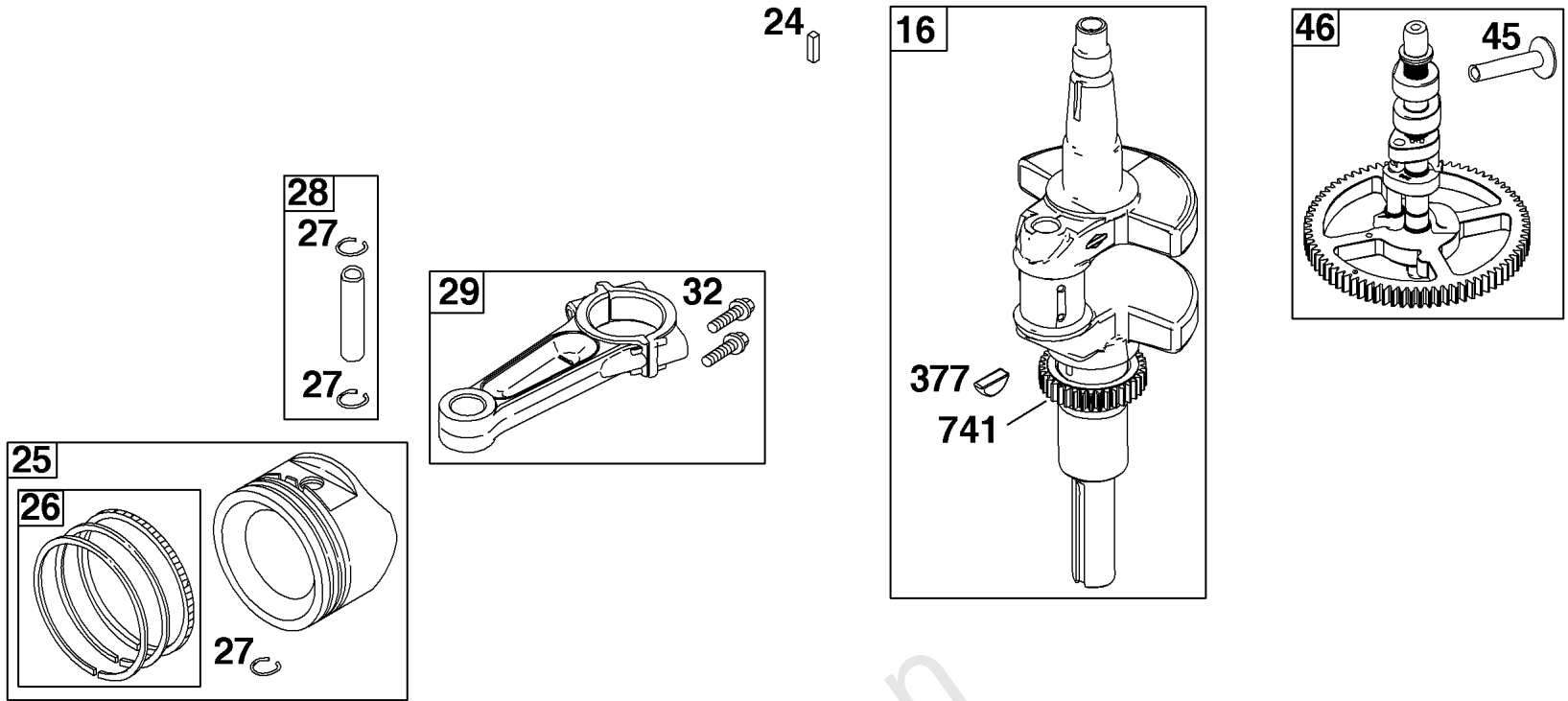
Controls Group

REF NO	PART NO	QTY	DESCRIPTION
188	691108	1	SCREW -(Control Bracket)
209	799170	1	SPRING, Governor
211	593724	1	SPRING, Governed Idle
212	597778	1	LINK, Throttle
212A	84001913	1	LINK, Throttle
213	691021	1	BRACKET, Choke Control
216	691022	1	LINK, Choke
222	798916	1	BRACKET, Control
227A	593857	1	LEVER, Governor Control
232	597550	1	SPRING, Governor Link
265	691024	1	CLAMP, Casing
267	792629	1	SCREW -(Casing Clamp)
318	792629	2	SCREW -(Mounting Bracket)
318A	691127	1	SCREW -(Mounting Bracket)
505	-----	1	NUT -(Governor Control Lever)
562	690311	1	BOLT -(Governor Control Lever)
789	591393	1	HARNESS, Wiring
929	691003	2	SCREW -(Choke Control Bracket)
929A	695239	2	SCREW -(Choke Control Bracket)
1550	595801	1	PIN, Speed Setting



Crankcase Cover/Sump Group

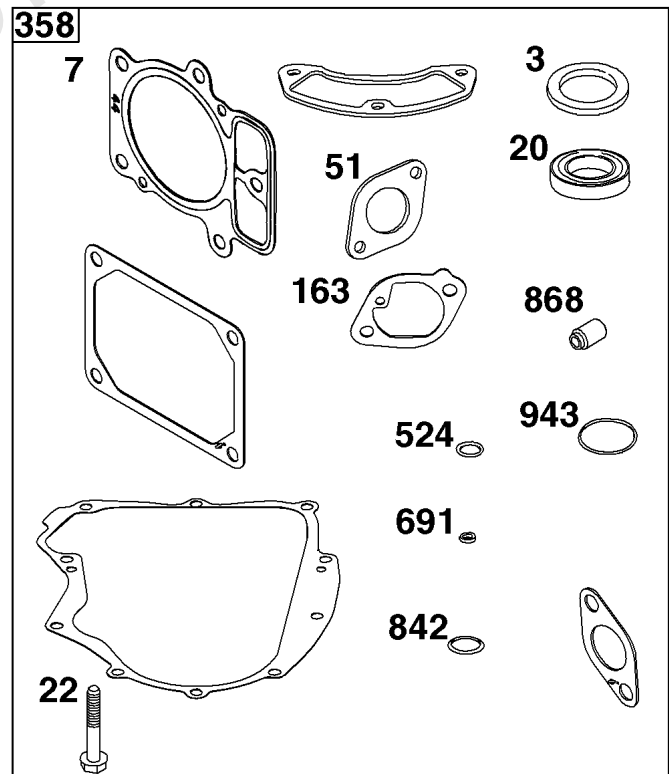
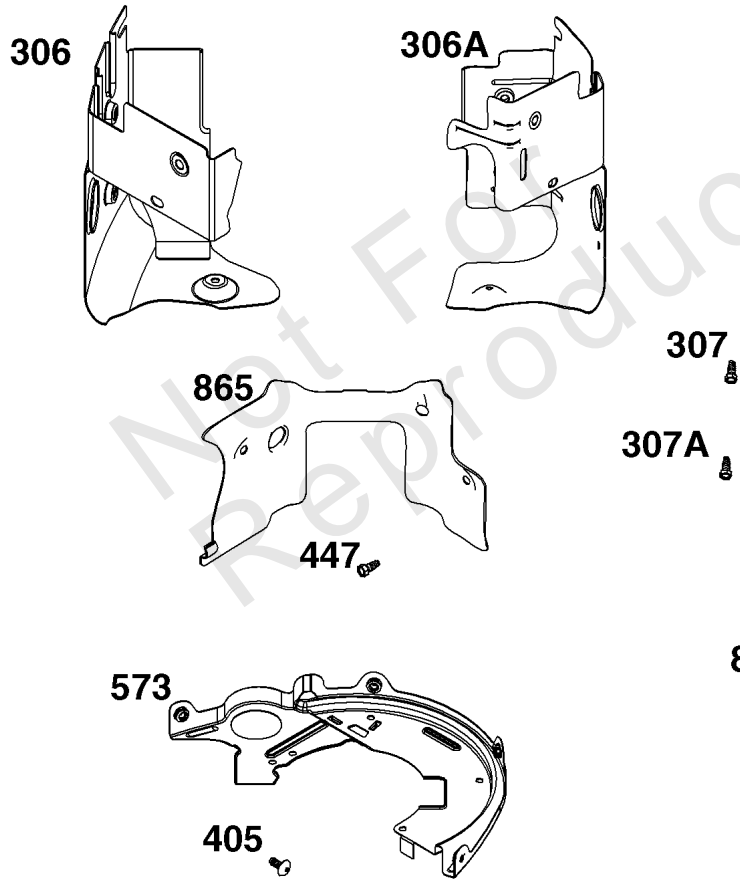
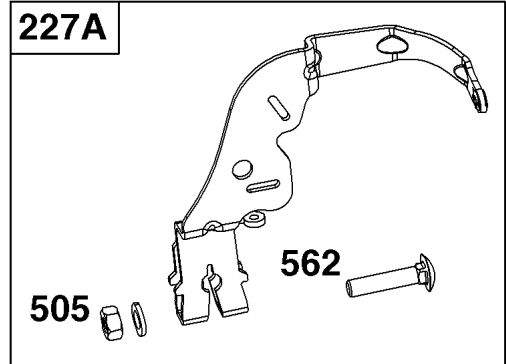
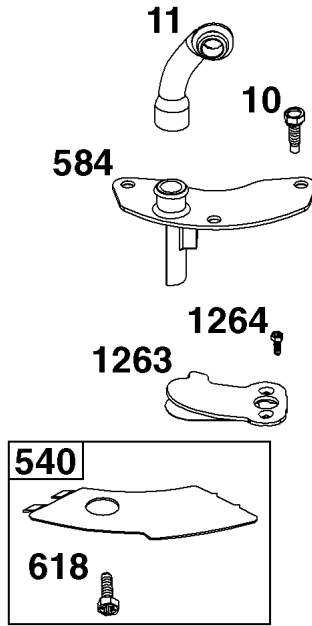
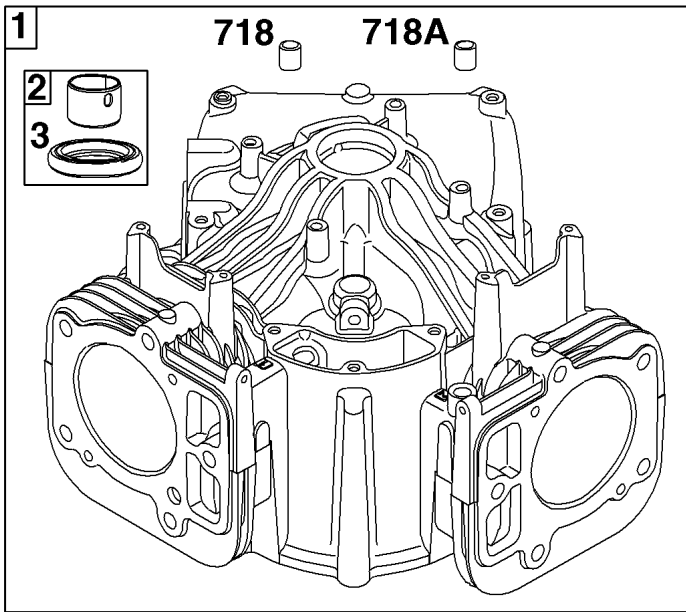
REF NO	PART NO	QTY	DESCRIPTION
3	-----	1	SEAL, Oil -(Part information located in Cylinder Group.)
4	84007282	1	SUMP, Engine
7	-----	2	GASKET, Cylinder Head -(Part information located in Cylinder Head Group.)
15	690946	1	PLUG, Oil Drain
20	795387	1	SEAL, Oil -(PTO Side)
22	694966	10	SCREW -(Crankcase Cover/Sump)
45	-----	4	TAPPET, Valve -(Part information located in Cylinder Head Group.)
46	-----	1	CAMSHAFT -(Part information located in Crankshaft Group.)
51	-----	1	GASKET, Intake -(Part information located in Cylinder Head Group.)
163	-----	1	GASKET, Air Cleaner -(Part information located in Carburetor and Fuel Supply Group.)
219	793338	1	GEAR, Governor
220	799772	1	WASHER -(Governor Gear)
221	841026	1	CUP, Governor
358	594213	1	GASKET SET, Engine -(Service Kits may include extra parts not specific to this engine.)
404	690442	1	WASHER -(Governor Crank)
524	-----	1	SEAL, O-Ring -(Part information located in Lubrication Group.)
552	796638	1	BUSHING, Governor Crank
552A	690553	2	BUSHING, Governor Crank
615	698290	1	RETAINER, Governor Shaft
616	691045	1	CRANK, Governor
691	790574	1	SEAL, Governor Shaft
742	690328	2	RETAINER, E Ring
750	-----	3	SCREW -(Part information located in Lubrication Group.)
842	-----	1	SEAL, O-Ring -(Part information located in Lubrication Group.)
850	100106	1	SEALANT, Liquid
868	-----	2	SEAL, Valve -(Part information located in Cylinder Head Group.)
943	-----	1	SEAL, O-Ring -(Part information located in Lubrication Group.)
965	-----	1	COVER, Oil Pump -(Part information located in Lubrication Group.)
1013	690954	1	NIPPLE, Oil Filter
1017	-----	1	SCREEN, Oil Pump -(Part information located in Lubrication Group.)
1024	-----	1	PUMP, Oil -(Part information located in Lubrication Group.)



Not For
Reproduction

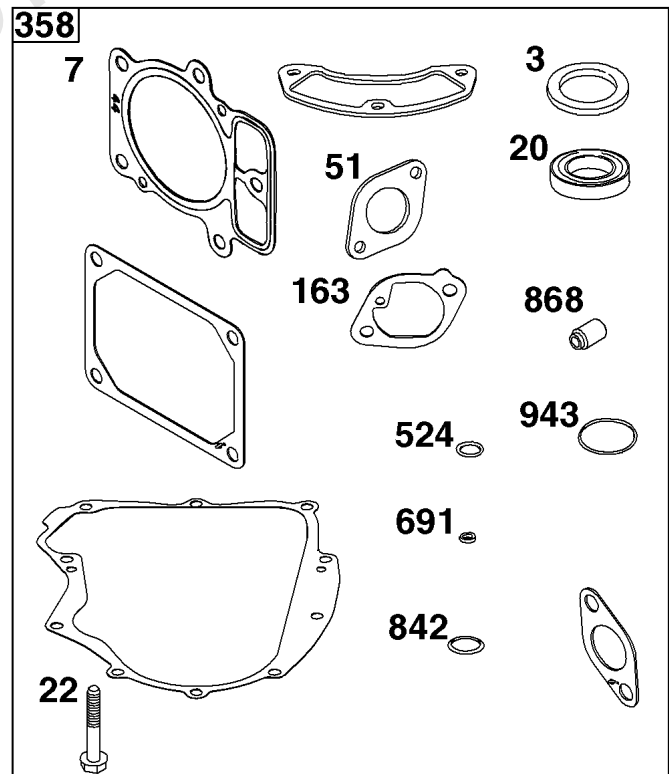
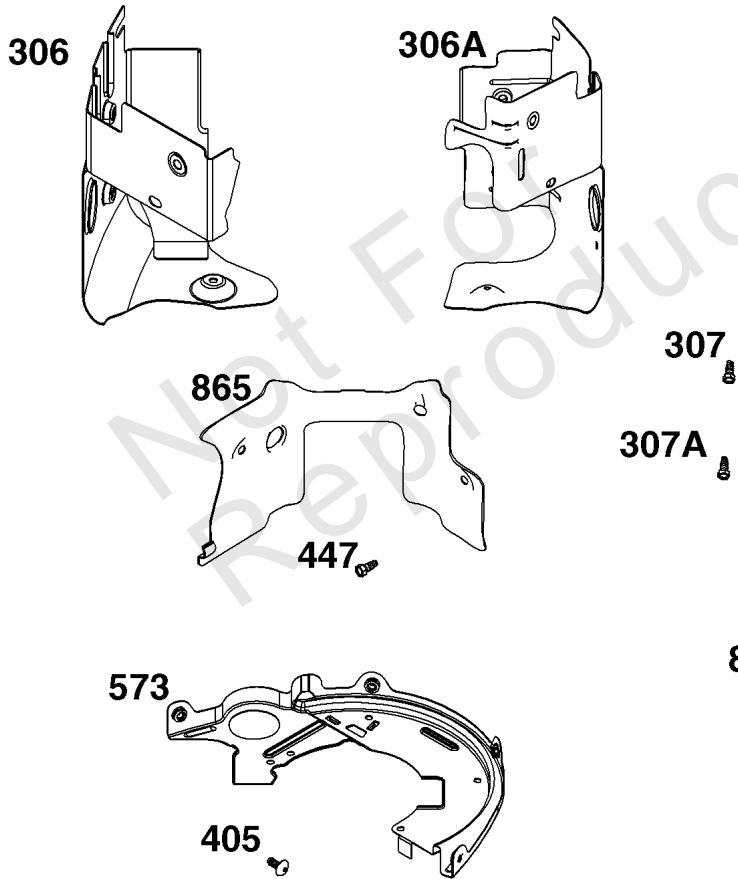
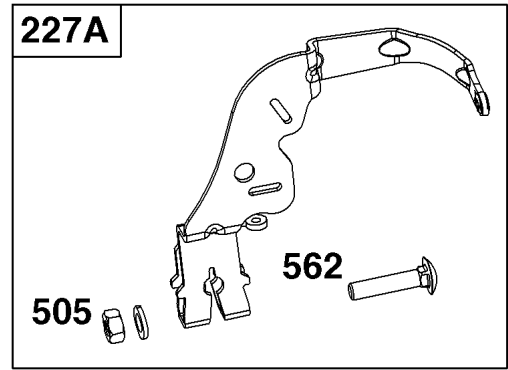
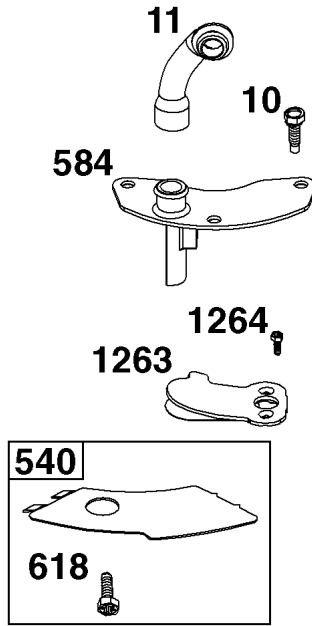
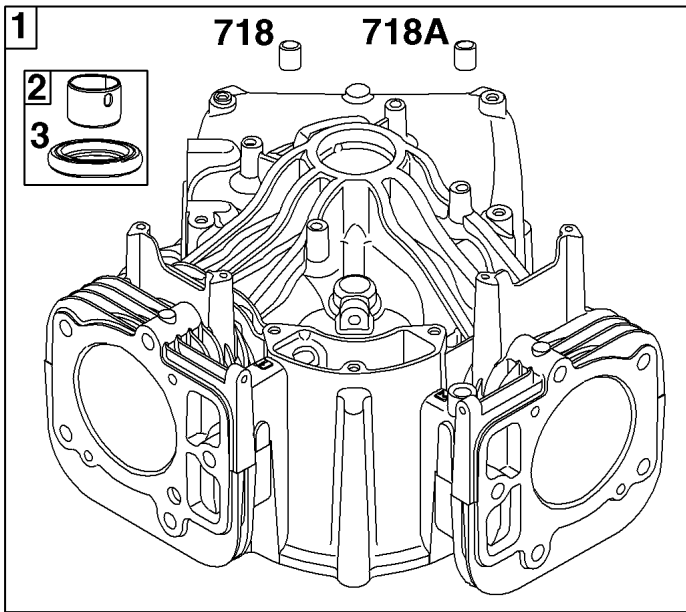
Crankshaft Group

REF NO	PART NO	QTY	DESCRIPTION
16	597791	1	CRANKSHAFT
24	222698S	1	KEY, Flywheel
25	793560	1	PISTON ASSEMBLY -(Standard)
25	793563	1	PISTON ASSEMBLY -(.020" Oversize)
26	792026	1	SET, Ring -(Standard)
26	792073	1	SET, Ring -(.020" Oversize)
27	690975	1	LOCK, Piston Pin
28	593650	1	PIN, Piston
29	796209	2	ROD, Connecting
32	690976	1	SCREW -(Connecting Rod)
45	-----	4	TAPPET, Valve -(Part information located in Cylinder Head Group.)
46	792555	1	CAMSHAFT
377	690979	1	KEY, Woodruff
741	690980	1	GEAR, Timing



Cylinder Group

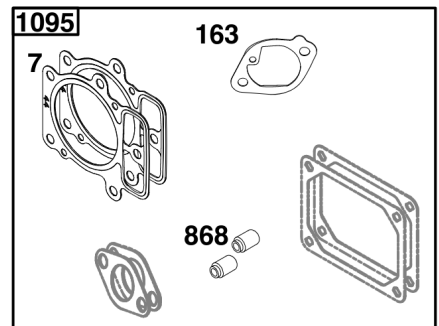
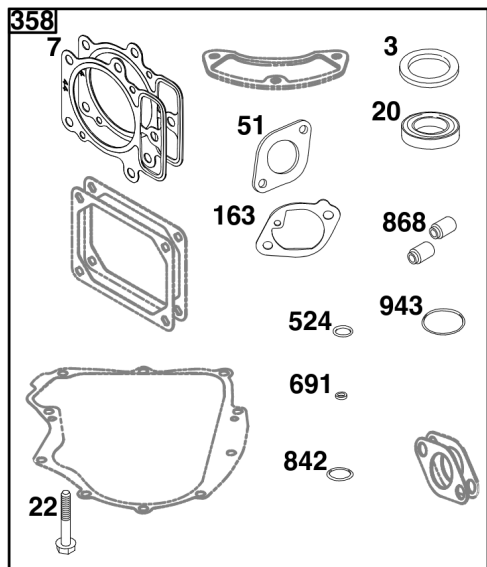
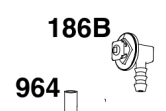
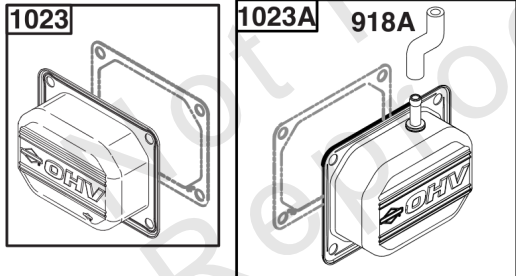
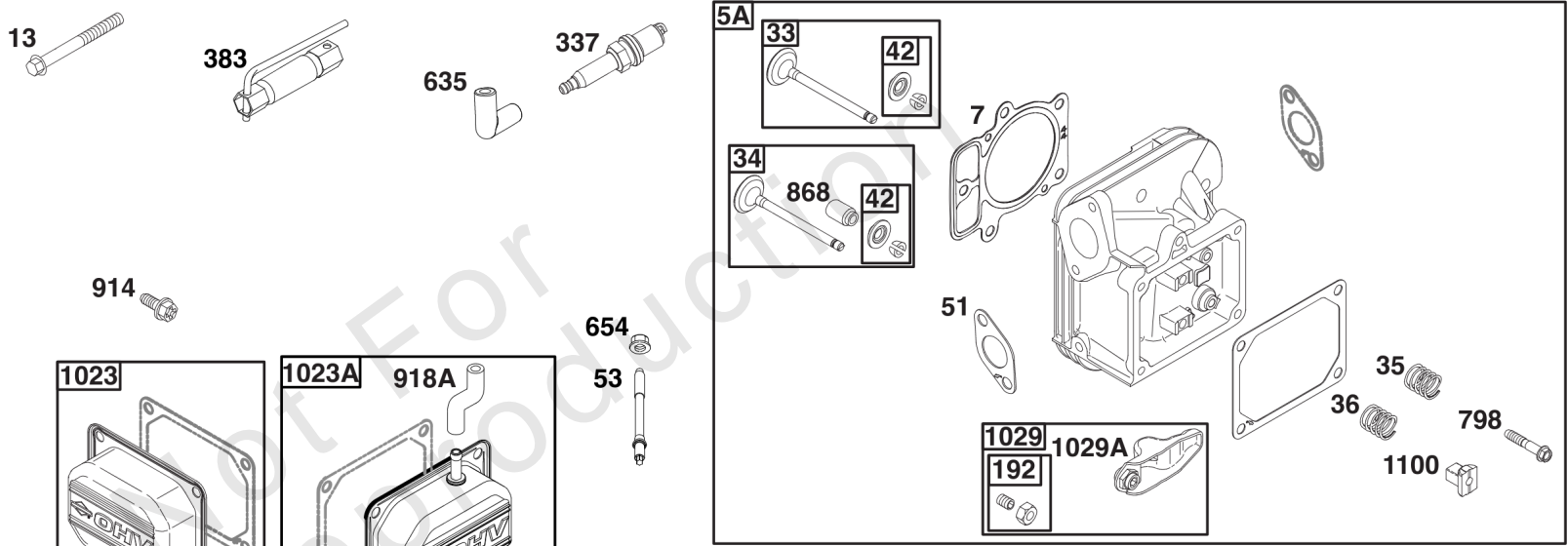
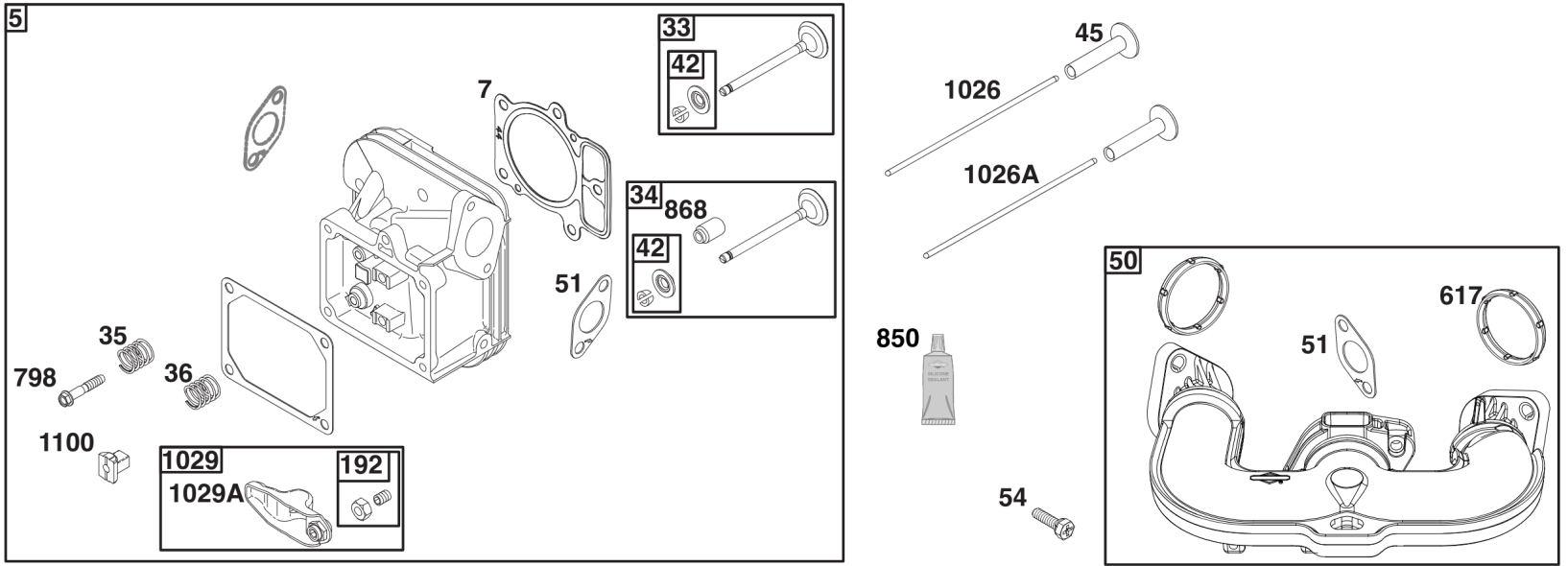
REF NO	PART NO	QTY	DESCRIPTION
1	594970	1	CYLINDER ASSEMBLY
2	797673	1	KIT, Bushing/Seal -(Magneto Side)
3	391086S	1	SEAL, Oil -(Magneto Side)
7	-----	2	GASKET, Cylinder Head -(Part information located in Cylinder Head Group.)
10	691108	3	SCREW -(Breather Assembly)
11	594163	1	TUBE, Breather
20	-----	1	SEAL, Oil -(Part information located in Crankcase Cover/Sump Group.)
22	-----	10	SCREW -(Part information located in Crankcase Cover/Sump Group.)
51	-----	1	GASKET, Intake -(Part information located in Cylinder Head Group.)
163	-----	1	GASKET, Air Cleaner -(Part information located in Carburetor and Fuel Supply Group.)
227A	-----	1	LEVER, Governor Control -(Part information located in Controls Group.)
306	84002166	1	SHIELD, Cylinder
306A	84002169	1	SHIELD, Cylinder -Used Before Code Date 22020800
306A	84007347	1	SHIELD, Cylinder -Used After Code Date 22020700
307	691003	2	SCREW -(Cylinder Shield)
307A	691108	2	SCREW -(Cylinder Shield)
358	-----	1	GASKET SET, Engine -(Part information located in Crankcase Cover/Sump Group.)
405	594937	4	SCREW -(Back Plate)
447	691003	1	SCREW -(Air Guide Cover)
505	-----	1	NUT -(Part information located in Controls Group.)
524	-----	1	SEAL, O-Ring -(Part information located in Lubrication Group.)
540	594325	1	PLATE, Baffle
562	-----	1	BOLT -(Part information located in Controls Group.)
573	594902	1	PLATE, Back
584	594164	1	COVER, Breather Passage
618	594326	1	SCREW -(Baffle Plate)
691	-----	1	SEAL, Governor Shaft -(Part information located in Crankcase Cover/Sump Group.)
718	690959	6	PIN, Locating
718A	594988	1	PIN, Locating
842	-----	1	SEAL, O-Ring -(Part information located in Lubrication Group.)
850	-----	1	SEALANT, Liquid -(Part information located in Crankcase Cover/Sump Group.)
865	591667	1	COVER, Air Guide
868	-----	1	SEAL, Valve -(Part information located in Cylinder Head Group.)
943	-----	1	SEAL, O-Ring -(Part information located in Lubrication Group.)



Cylinder Group

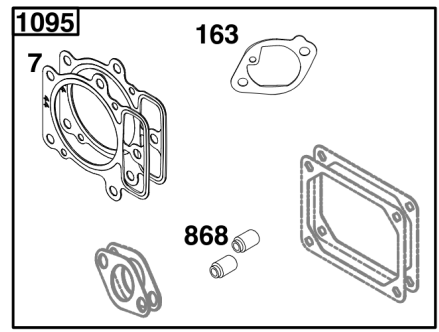
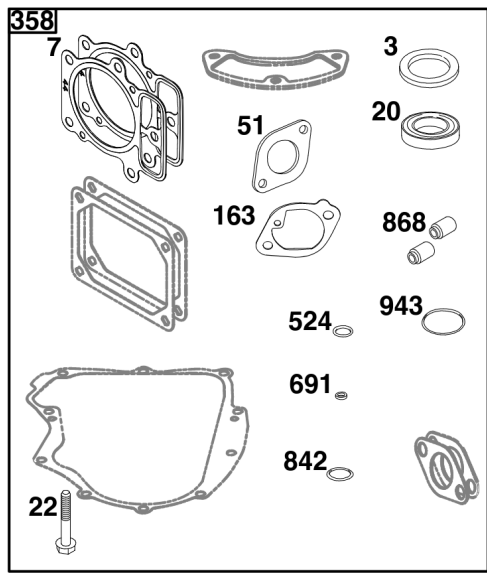
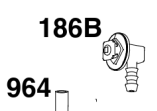
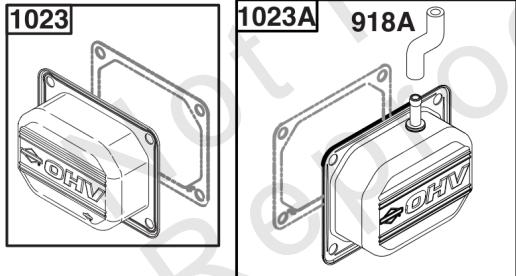
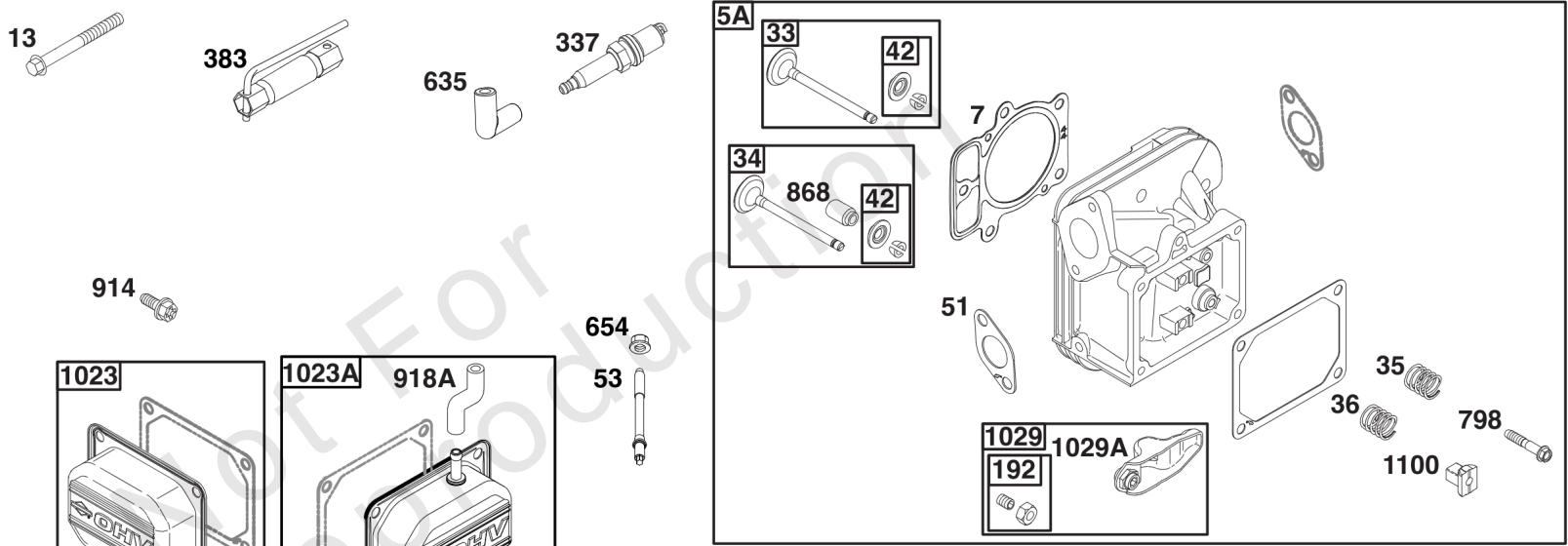
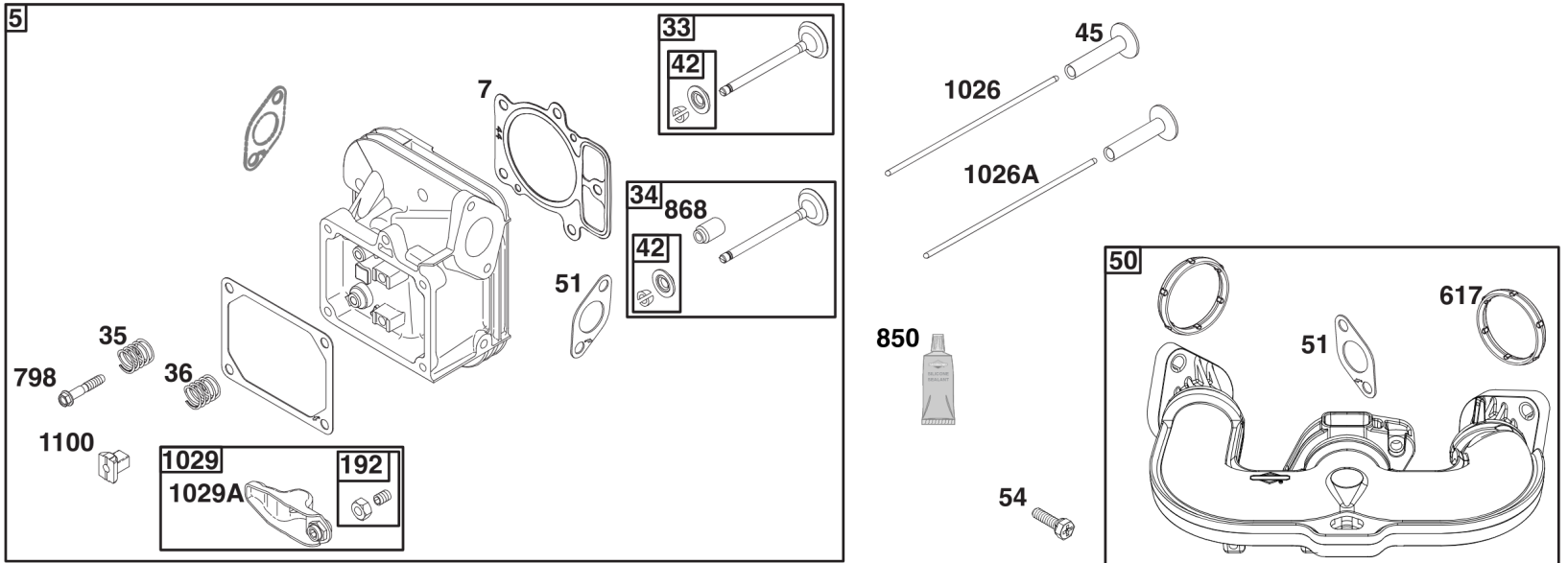
REF NO	PART NO	QTY	DESCRIPTION
1263	594166	1	REED, Breather
1264	594165	1	SCREW -(Breather Reed)

Not For Reproduction



Cylinder Head Group

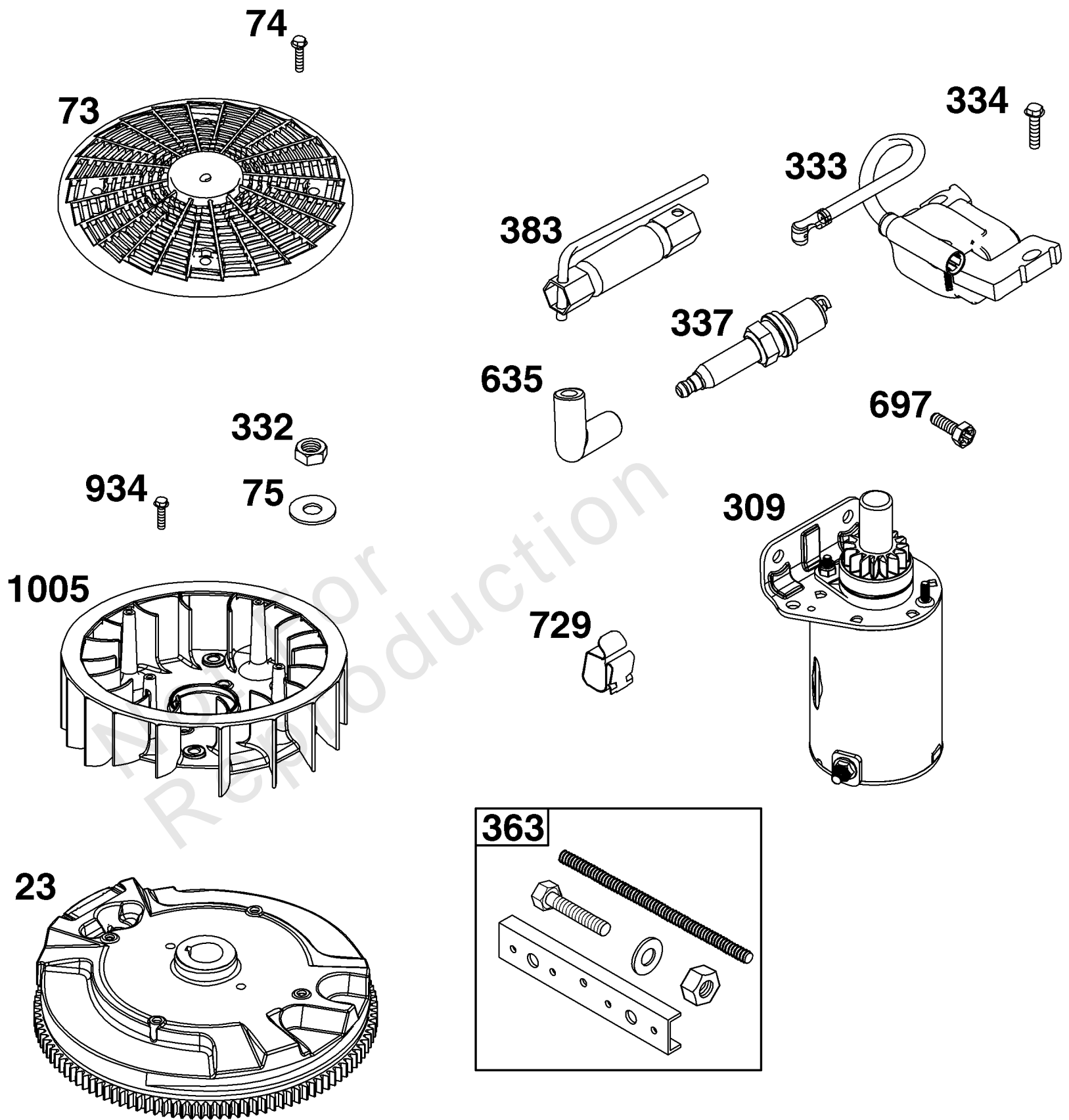
REF NO	PART NO	QTY	DESCRIPTION
3	-----	1	SEAL, Oil -(Part information located in Cylinder Group.)
5	597198	1	HEAD, Cylinder
5A	597199	1	HEAD, Cylinder
7	693997	2	GASKET, Cylinder Head
13	592244	10	SCREW -(Cylinder Head)
20	-----	1	SEAL, Oil -(Part information located in Crankcase Cover/Sump Group.)
22	-----	10	SCREW -(Part information located in Crankcase Cover/Sump Group.)
33	793557	2	VALVE, Exhaust
34	793556	2	VALVE, Intake
35	694865	1	SPRING, Valve -(Intake)
36	694865	1	SPRING, Valve -(Exhaust)
42	499586	2	KEEPER, Valve
45	690977	4	TAPPET, Valve
50	594206	1	MANIFOLD, Intake
51	594204	1	GASKET, Intake
53	-----	1	STUD -(Part information located in Carburetor and Fuel Supply Group.)
54	699816	4	SCREW -(Intake Manifold)
163	-----	1	GASKET, Air Cleaner -(Part information located in Carburetor and Fuel Supply Group.)
186B	-----	1	CONNECTOR, Hose -(Part information located in Carburetor and Fuel Supply Group.)
192	690083	1	ADJUSTER, Rocker Arm
337	792015	2	PLUG, Spark
358	-----	1	GASKET SET, Engine -(Part information located in Crankcase Cover/Sump Group.)
383	19576S	1	WRENCH, Spark Plug
524	-----	1	SEAL, O-Ring -(Part information located in Lubrication Group.)
617	594209	2	SEAL, O-Ring -(Intake Manifold)
635	66538S	2	BOOT, Spark PLug
654	-----	2	NUT -(Part information located in Carburetor and Fuel Supply Group.)
691	-----	1	SEAL, Governor Shaft -(Part information located in Crankcase Cover/Sump Group.)
798	697890	4	SCREW -(Rocker Arm)
842	-----	1	SEAL, O-Ring -(Part information located in Lubrication Group.)
850	-----	1	SEALANT, Liquid -(Part information located in Crankcase Cover/Sump Group.)
868	690968	1	SEAL, Valve
914	691127	8	SCREW -(Rocker Cover)
918A	593641	1	HOSE, Vacuum
943	-----	1	SEAL, O-Ring -(Part information located in Lubrication Group.)
964	-----	1	CAP, Connector -(Part information located in Blower Housing and Air Cleaner Group.)



Cylinder Head Group

REF NO	PART NO	QTY	DESCRIPTION
1023	499600	1	COVER, Rocker
1023A	84003848	1	COVER, Rocker
1026	597785	2	ROD, Push
1026A	690982	2	ROD, Push -(Intake)
1029	690972	4	ARM, Rocker
1029A	807323	1	ARM, Rocker
1095	594214	1	GASKET SET, Valve -(Service Kits may include extra parts not specific to this engine.)
1100	791959	4	PIVOT, Rocker Arm

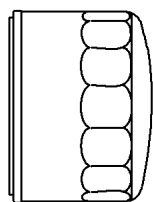
Not For Reproduction



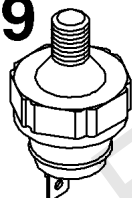
Flywheel, Ignition, and Starter Group

REF NO	PART NO	QTY	DESCRIPTION
23	594169	1	FLYWHEEL
73	494439	1	SCREEN, Rotating
74	698425	4	SCREW -(Rotating Screen)
75	691056	1	WASHER -(Flywheel)
309	590476	1	MOTOR, Starter
332	691059	1	NUT -(Flywheel)
333	592846	2	ARMATURE, Magneto
334	691061		SCREW -(Magneto Armature)
337	-----	2	PLUG, Spark -(Part information located in Cylinder Head Group.)
363	19621	1	PULLER, Flywheel
383	-----	1	WRENCH, Spark Plug -(Part information located in Cylinder Head Group.)
635	-----	2	BOOT, Spark Plug -(Part information located in Cylinder Head Group.)
697	591909	2	SCREW -(Starter Motor) (Drive Cap)
729	593826	1	CLIP, Wire
934	593638	4	SCREW -(Fan Retainer)
1005	593640	1	FAN, Flywheel

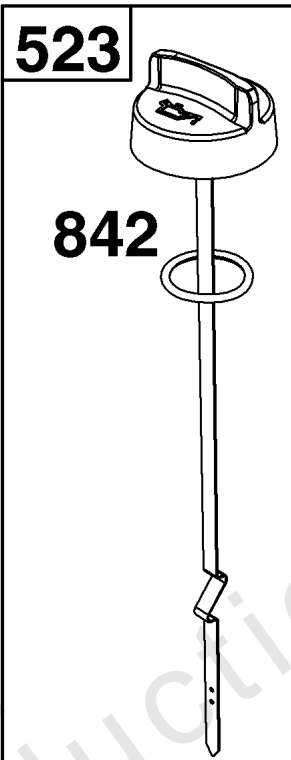
1027



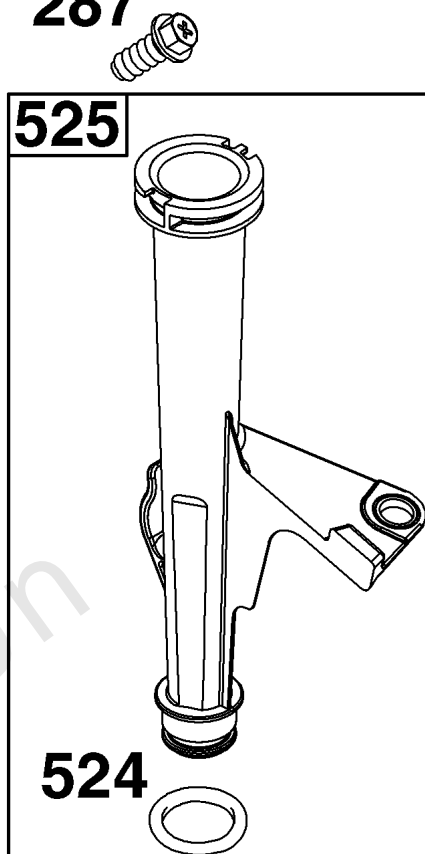
239



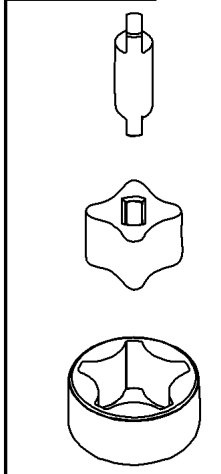
847



287



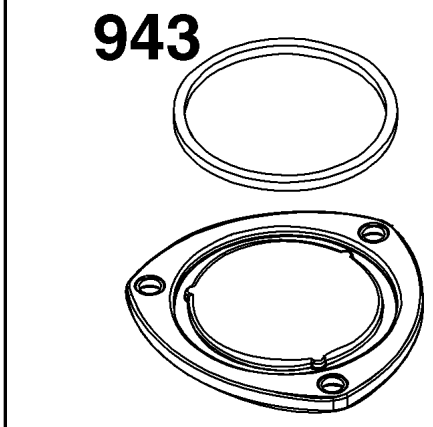
1024



1017



965



943

750



Lubrication Group

REF NO	PART NO	QTY	DESCRIPTION
239	792028	1	SWITCH, Oil Pressure
287	594937	1	SCREW -(Dipstick Tube)
523	594528	1	DIPSTICK
524	691032	1	SEAL, O-Ring -(Dipstick Tube)
525	597129	1	TUBE, Dipstick
750	796208	3	SCREW -(Oil Pump Cover)
842	691031	1	SEAL, O-Ring -(Dipstick Cap)
847	597130	1	DIPSTICK/TUBE ASSEMBLY
943	796222	1	SEAL, O-Ring -(Oil Pump Cover)
965	796221	1	COVER, Oil Pump
1017	796214	1	SCREEN, Oil Pump
1024	796220	1	PUMP, Oil
1027	492932S	1	FILTER, Oil

Not For Reproduction

