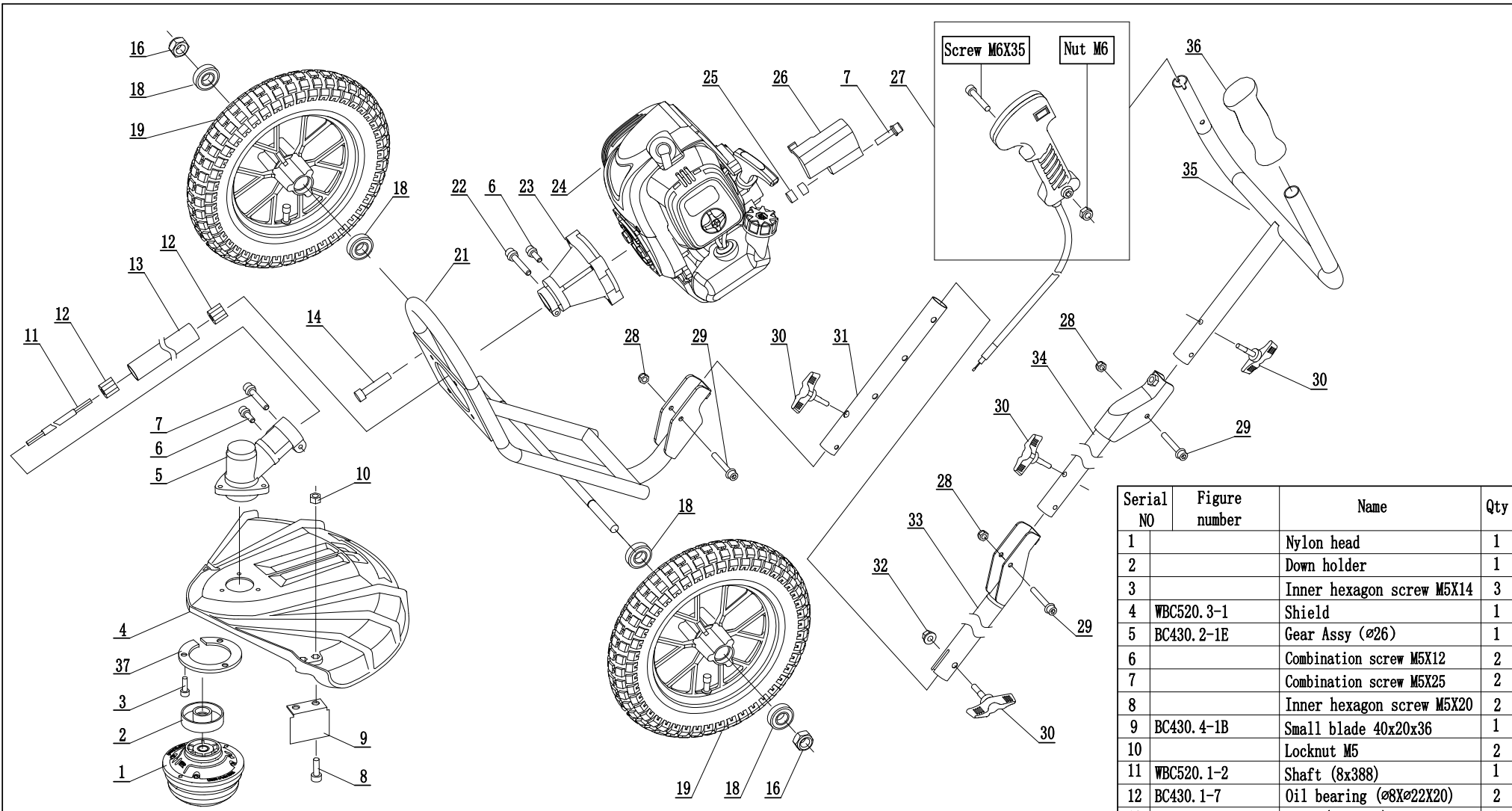


73	Bracket of tank	1	45	Bearing 6202	2
72	Fuel tank	1	44	Left crankcase	1
71	Fuel filter	1	43	HYUNDAI Logo plate	1
70	Fix of oil pipe	1	42	Cover of Air Filter	1
69	Fuel pipe	3	41	Air filter	1
68	Clamp spring	2	40	M5×55 Bolt	2
67	Oil out vitta	1	39	Bracket of ail filter	1
66	Fuel tank cap	1	38	ø5×10 Straight pin	4
65	Fuel tank assy		37	ø10×ø30×7 Oil seal	1
64	Rope - cord	1	36	M5×35 Bolt	4
63	Spring	1	35	Carburetor	1
62	Start Knob	1	34	Gasket, Carburetor	1
61	Start Rope	1	33	Inlet?air?pipe	1
60	Cover of starter	1	32	Gasket, Inlet?air?pipe	1
59	Nut	2	31	Bearing	1
58	Coil spring	1	30	Clamp spring	2
57	Rope sheave	1	29	Piston Pin	1
56	Torsional spring	1	28	Piston	1
55	Ratchet wheel	1	27	Piston Ring	2
54	ST Bolt	1	26	Gasket of cylinder	1
53	Starter assy		25	Insulation mat	1
52	M8 Nut	1	24	Muffler	1
51	Drive plate	1	23	M5×10 combination screw	1
50	ø12×ø22×7 Oil seal	1	22	Insulation mat for muffler	1
49	Right crankcase	1	21	M6×55 combination screw	2
48	Gasket of crankcase	1	20	ST4×10 Bolt	3
47	Crankshaft	1	19	Guide cover	1
46	Woodruff key	1	18	HYUNDAI Logo plate	1
			17	M5×14 Bolt	1
			16	Top cover	1
			15	Cover of cylinder	1
			14	M4×10 Bolt	3
			13	Spark Plug	1
			12	M5×20 Bolt	4
			11	Cylinder	1
			10	Ignition Coil assy	1
			9	M5×20 combination screw	10
			8	Flywheel	1
			7	M8 Nut	1
			6	Washer	2
			5	Clutch	1
			4	Washer	2
			3	Bolt	2
			2	Side Cover	1
			1	M5×20 Bolt	6
No.	Parts Description	Number	Note		



Serial NO	Figure number	Name	Qty
1		Nylon head	1
2		Down holder	1
3		Inner hexagon screw M5X14	3
4	WBC520.3-1	Shield	1
5	BC430.2-1E	Gear Assy (ø26)	1
6		Combination screw M5X12	2
7		Combination screw M5X25	2
8		Inner hexagon screw M5X20	2
9	BC430.4-1B	Small blade 40x20x36	1
10		Locknut M5	2
11	WBC520.1-2	Shaft (8x388)	1
12	BC430.1-7	Oil bearing (ø8Xø22X20)	2
13	WBC520.1-1	Pipe (ø26X360)	1
14		Inner hexagon screw M6X30	4
15			
16		Locknut M12	2
17			
18		Bearing 6001-2z (12x28x8)	4
19	WBC520.3-5	Wheel Assy (ø310)	2
20			
21	WBC520.3-9	Frame	1
22		Combination screw M6X30	1
23	BC430.1-1	Housing Assy (ø26)	1
24		Engine	1

25		Nut M6	2
26	WBC520.3-2	Deflector	1
27	WBC520.3-3	Right handle (ø22)	1
28		Locknut M6	3
29		Inner hexagon screw M6X40	3
30	WBC520.2-1	Screw knob M8X40	4
31	WBC520.3-15	Extension pole	1
32		Nut M8	1
33	WBC520.3-16	Down pole	1
34	WBC520.3-11	Middle pole	1
35	WBC520.3-12	Handle	1