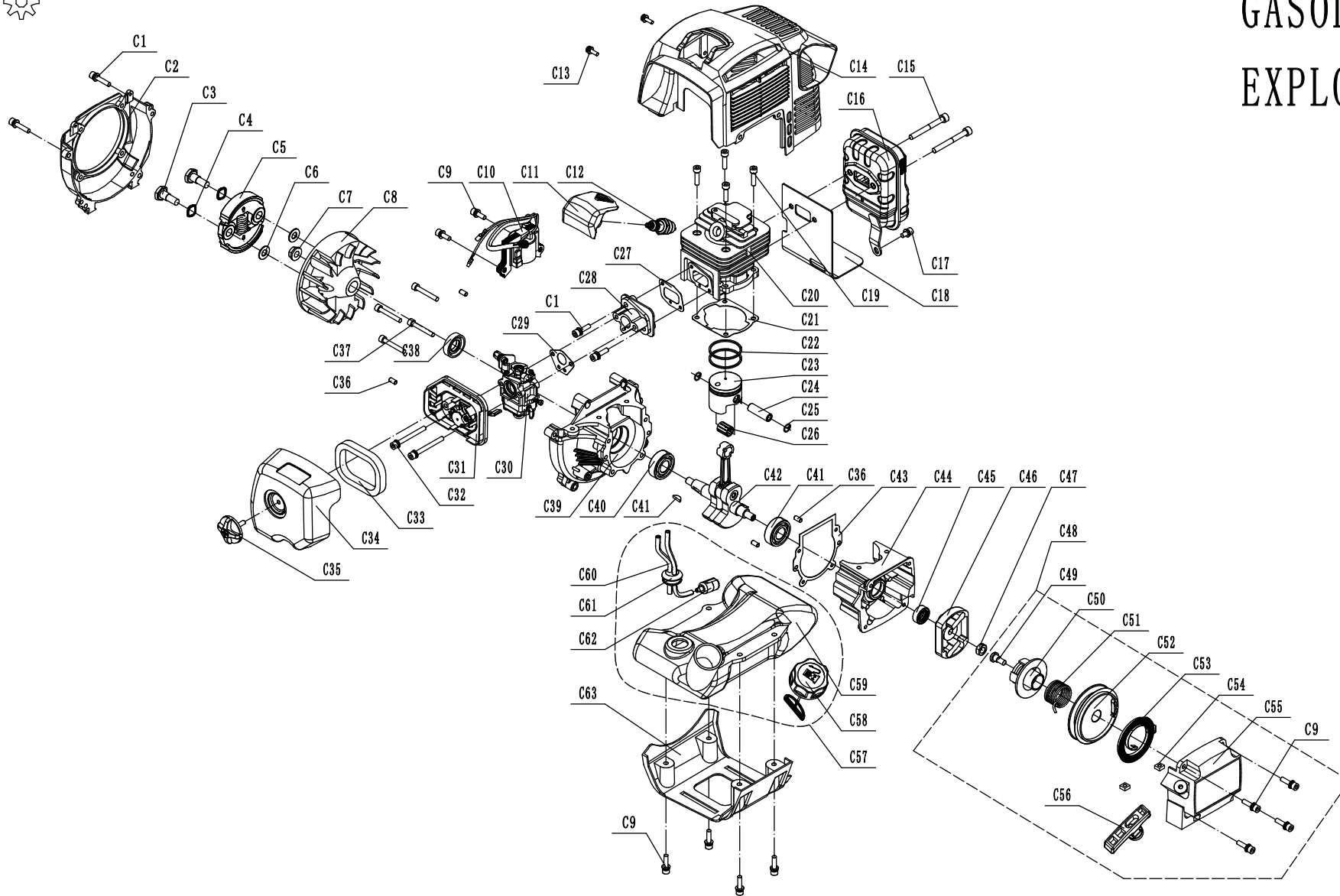




GASOLINE ENGINE EXPLODED VIEW



C33	Element	1	
C32	Bolt M5x55	2	
C31	Air filter set	1	
C30	Carburetor	1	
C29	Gasket, carburetor	1	
C28	Insulator	1	
C27	Gasket, insulator	1	
C26	Bearing	1	
C25	Snap Ring	2	
C24	Piston pin	1	
C23	Piston	1	
C22	Piston ring	2	
C21	Gasket, cylinder	1	
C20	Cylinder	1	
C19	Bolt M5x20	4	
C18	Gasket, muffler	1	
C17	Bolt M5x12	1	
C16	Muffler	1	
C15	Bolt M6x55	2	
C14	Cover	1	
C13	Screw M5x12	2	
C12	Spark plug	1	
C11	Cap, ignition coil	1	
C10	Ignition coil	1	
C9	Bolt M5x20	10	
C8	Flywheel	1	
C7	Nut M8	1	
C6	Washer	2	
C5	Clutch	1	
C4	Washer	2	
C3	Bolt	2	
C2	SIDE COVER	1	
C1	BOLT M5x25	4	
No.	Description	Qty	

C63	Branket tank	1		C57	Fuel tank assy			C51	Spring	1		C45	Seal 12x22x7	1		C39	Left crankcase	1	
C62	Fuel Filter	1		C56	Starter handle	1		C50	Wheel	1		C44	Right crankcase	1		C38	Seal 15x30x7	1	
C61	Set, pipe	1		C55	Cover, starter	1		C49	Bolt ST6	1		C43	Gasket, crankcase	1		C37	Bolt M5x35	4	
C60	Pipe	2		C54	Nut	2		C48	Recoil starter Assy			C42	Crankshaft	1		C36	Pin	4	
C59	Fuel tank	1		C53	Start coil spring	1		C47	Nut M8	1		C41	Key 3xØ13	1		C35	Nut	1	
C58	Cap, tank	1		C52	Starter wheel	1		C46	Pully	1		C40	Bearing6202	2		C34	Cover, air filter	1	