



# Parts Manual

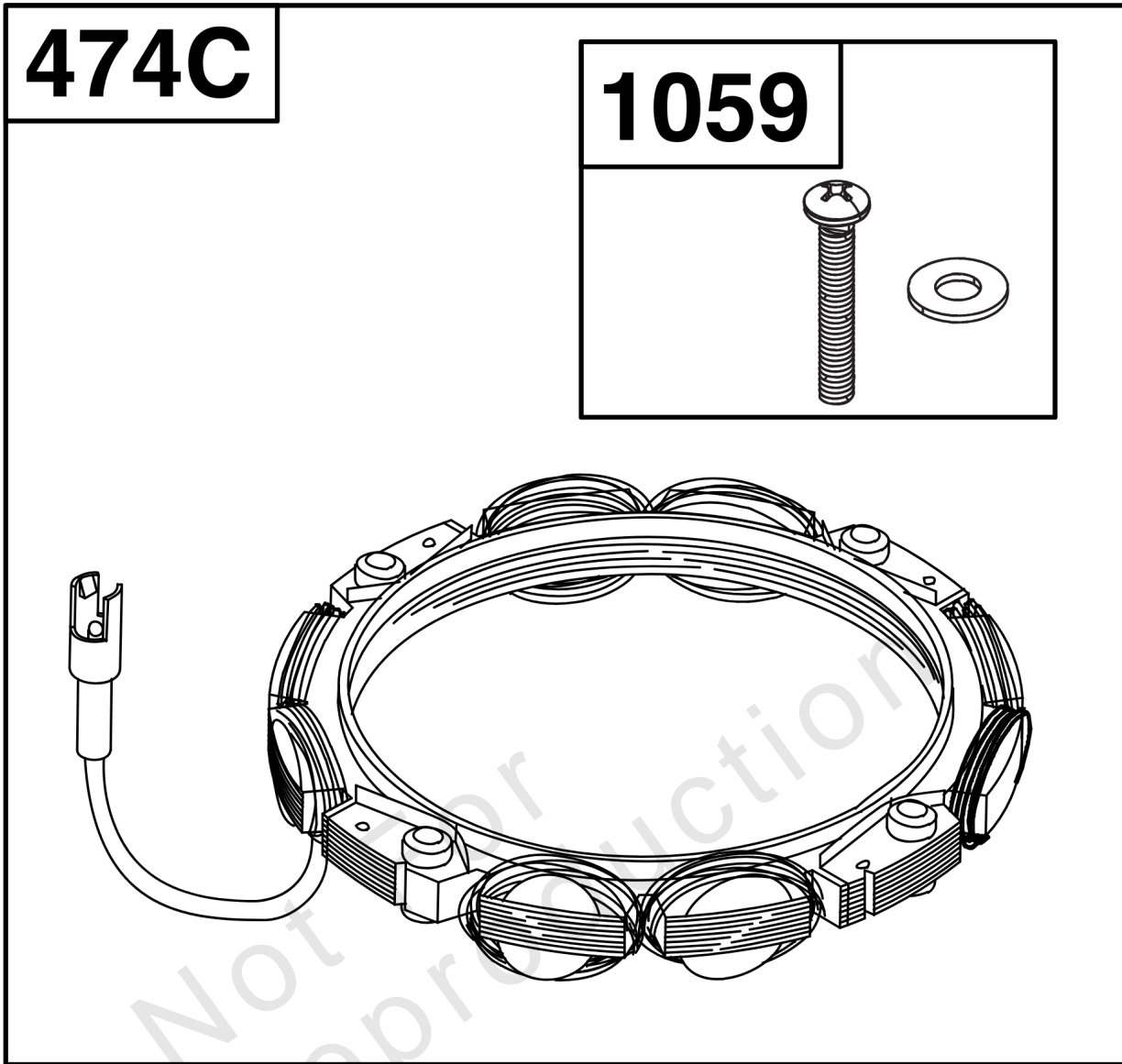
Mfg. No: 31R507-0055-G1



---

<b>Model Components</b>	<b>Page</b>
Alternator Group.....	4
Blower Housing and Air Cleaner Group.....	6
Carburetor and Fuel Supply Group.....	8
Controls Group.....	10
Crankcase Cover/Sump and Lubrication Group.....	12
Crankshaft Group.....	14
Cylinder Group.....	16
Cylinder Head Group.....	18
Flywheel, Ignition, and Starter Group.....	20
Replacement Engine US & Canada.....	22

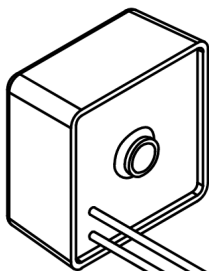
Not For  
Reproduction



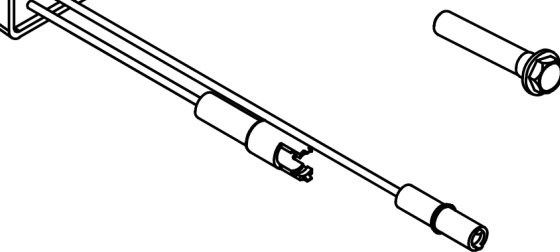
1119



501 A



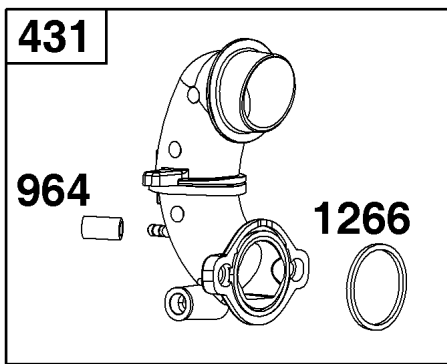
526 A



## Alternator Group

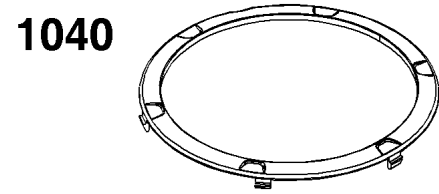
REF NO	PART NO	QTY	DESCRIPTION
474C	592829	1	ALTERNATOR
501A	794360	1	REGULATOR
526A	697088	1	SCREW -(Regulator)
1059	698516	1	KIT, Screw/Washer
1119	691183	4	SCREW -(Alternator)


Not For Reproduction

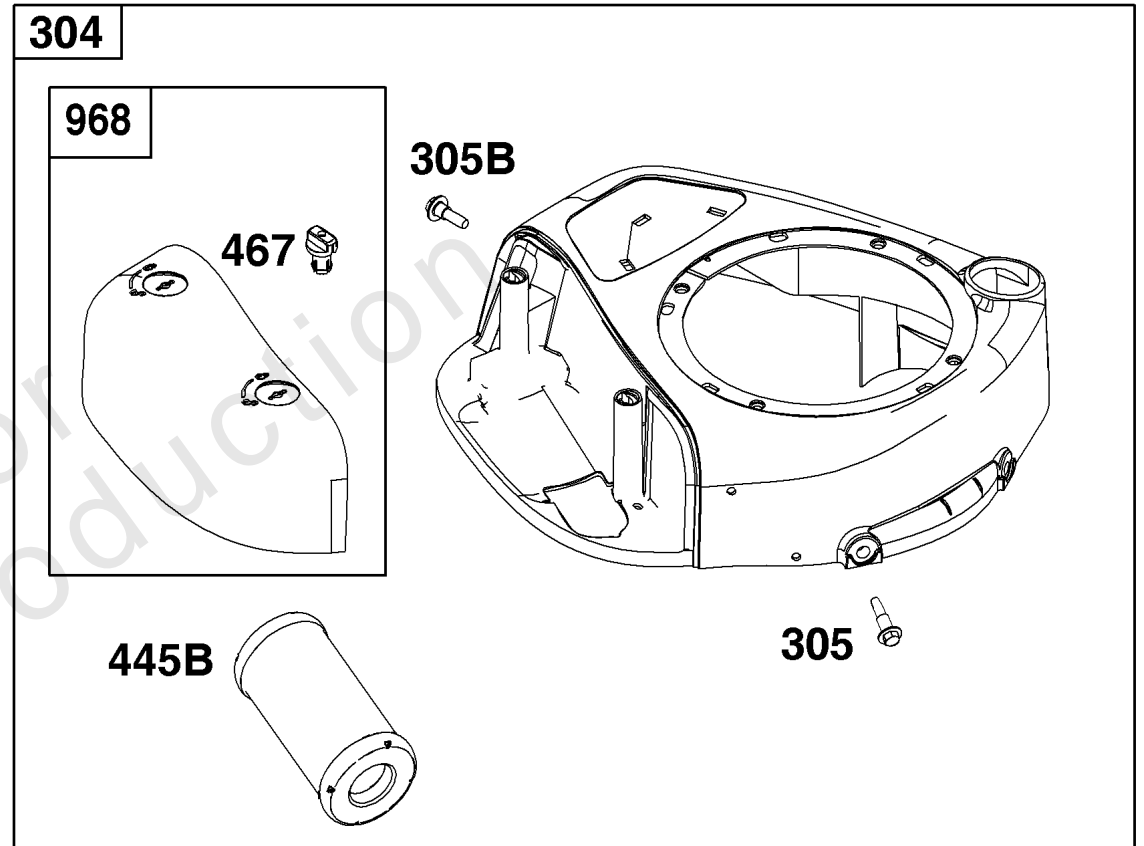


1319   
1319A

1036 

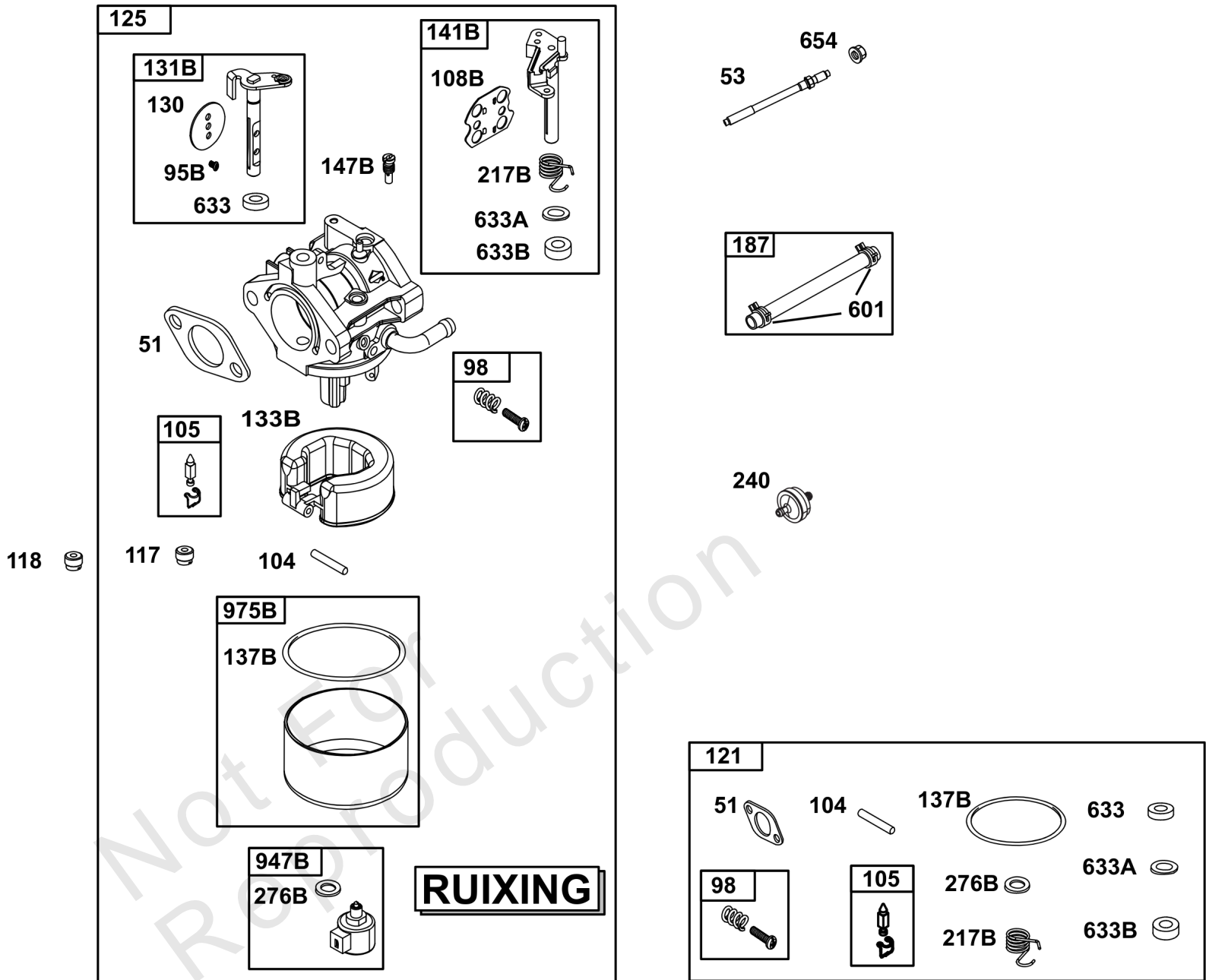


305C 



## Blower Housing and Air Cleaner Group

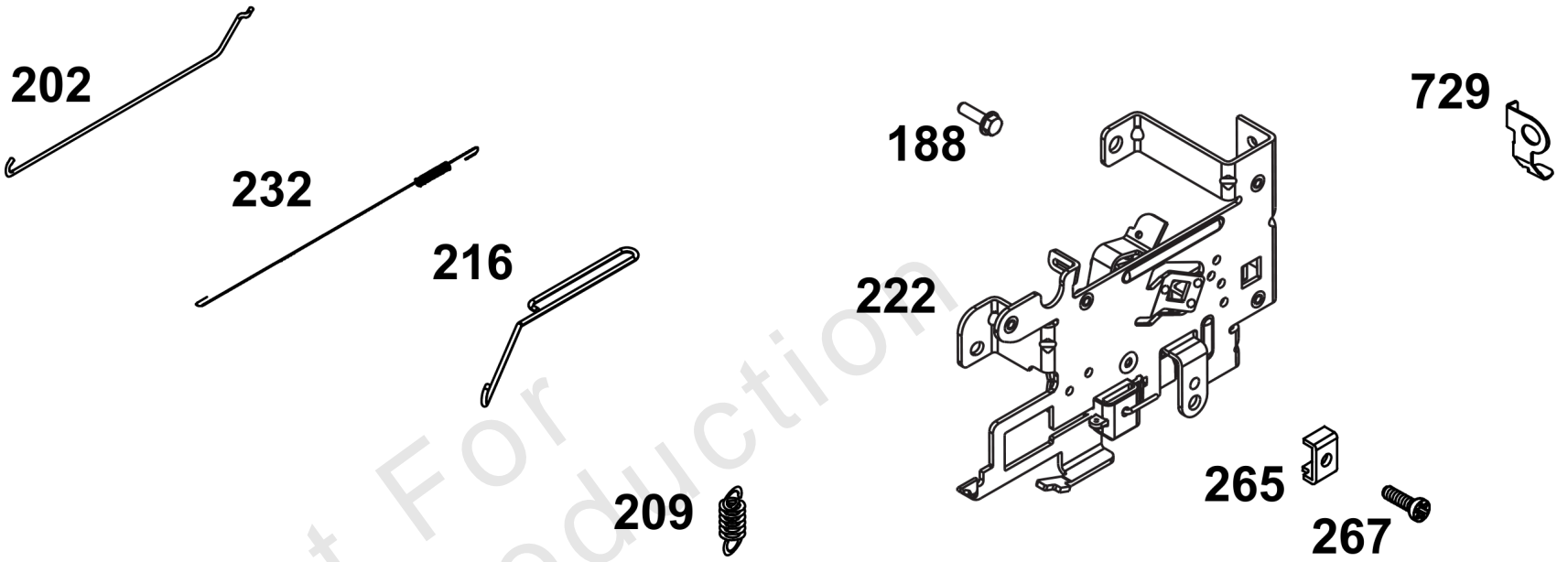
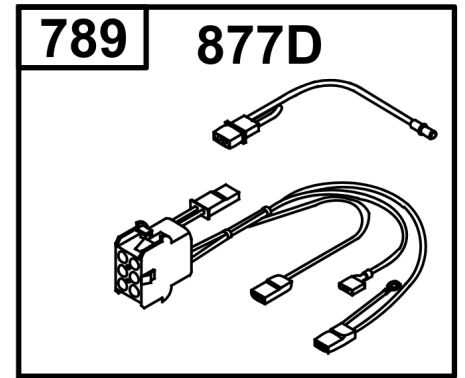
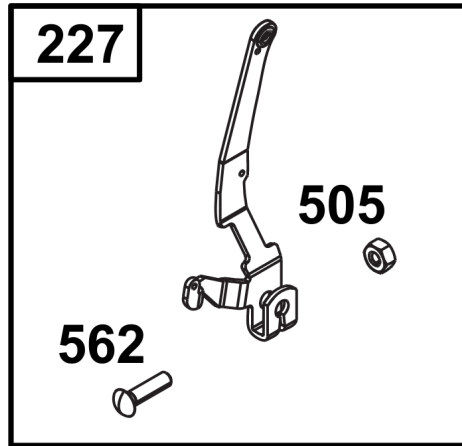
REF NO	PART NO	QTY	DESCRIPTION
304	591642	1	HOUSING, Blower
305	596718	2	SCREW -(Blower Housing)
305B	596717	2	SCREW -(Blower Housing)
305C	795891	1	SCREW -(Blower Housing)
431	797901	1	ELBOW, Intake
445B	594201	1	FILTER-A/C CARTRIDGE
467	597244	2	KNOB, Air Cleaner Cover
964	799159	1	CAP, Connector
968	591647	1	COVER, Air Cleaner
1036	-----	1	LABEL, Emissions -(Available from a Briggs & Stratton Authorized Dealer)
1040	698368	1	PLATE, Trim
1266	691917	1	SEAL, O-Ring -(Intake Elbow)
1319	794467	1	LABEL, Warning -(REQUIRED When Replacing Parts With Warning Labels Affixed)
1319A	797669	1	LABEL, Warning -(REQUIRED When Replacing Parts With Warning Labels Affixed)



**RUIXING**

## Carburetor and Fuel Supply Group

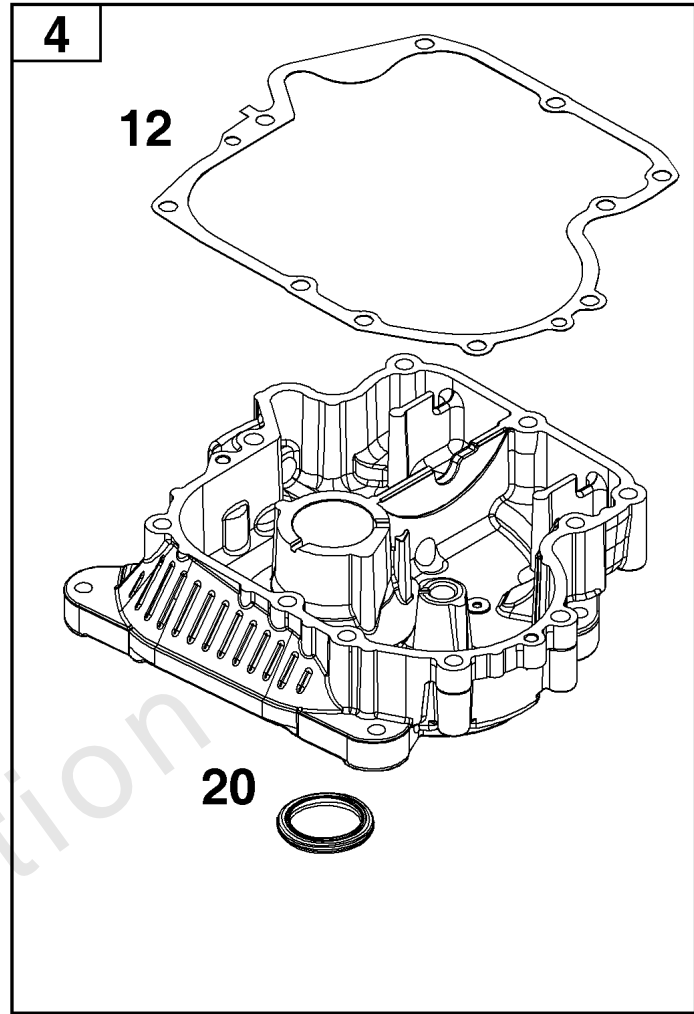
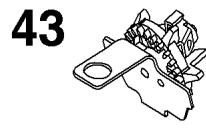
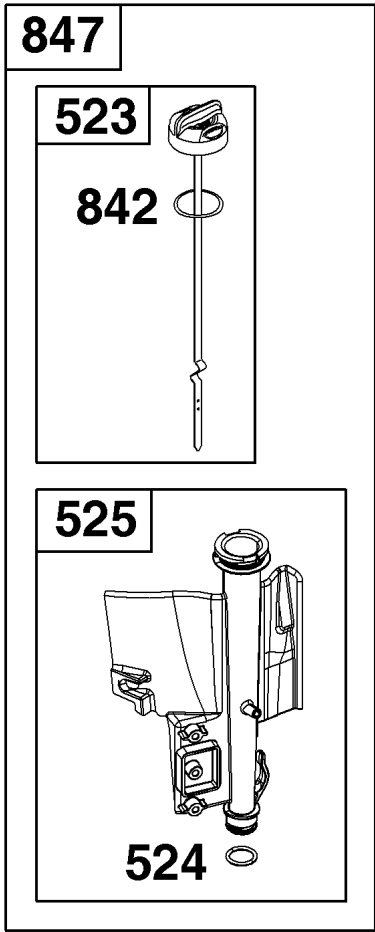
REF NO	PART NO	QTY	DESCRIPTION
51	-----	1	GASKET, Intake -(Part information located in Cylinder Head Group.)
53	591260	2	STUD -(Carburetor)
95B	593897	2	SCREW -(Throttle Valve)
98	847139	1	KIT, Idle Speed
104	594860	1	PIN, Float Hinge
105	594868	1	VALVE, Float Needle
108B	594863	1	VALVE, Choke
117	597458	1	JET, Main -(Standard)
118	595070	1	JET, Main -(High Altitude)
121	594886	1	KIT, Carburetor Overhaul -(Service Kits may include extra parts not specific to this engine.)
125	594593	1	CARBURETOR
130	594857	1	VALVE, Throttle
131B	594855	1	KIT, Throttle Shaft
133B	594859	1	FLOAT, Carburetor
137B	594861	1	GASKET, Float Bowl
141B	594862	1	KIT, Choke Shaft
147B	594870	1	JET, Pilot
187	791766	1	LINE, Fuel
217B	594864	1	SPRING, Choke Return
240	394358S	1	FILTER, Fuel
276B	846640	1	WASHER, Sealing
601	791850	2	CLAMP, Hose
633	797629	1	SEAL, Choke/Throttle Shaft
633A	594865	1	SEAL, Choke/Throttle Shaft
633B	594866	1	SEAL, Choke/Throttle Shaft
654	690958	2	NUT -(Carburetor)
947B	846639	1	SOLENOID, Fuel
975B	594867	1	BOWL, Float



Not For  
Reproduction

## Controls Group

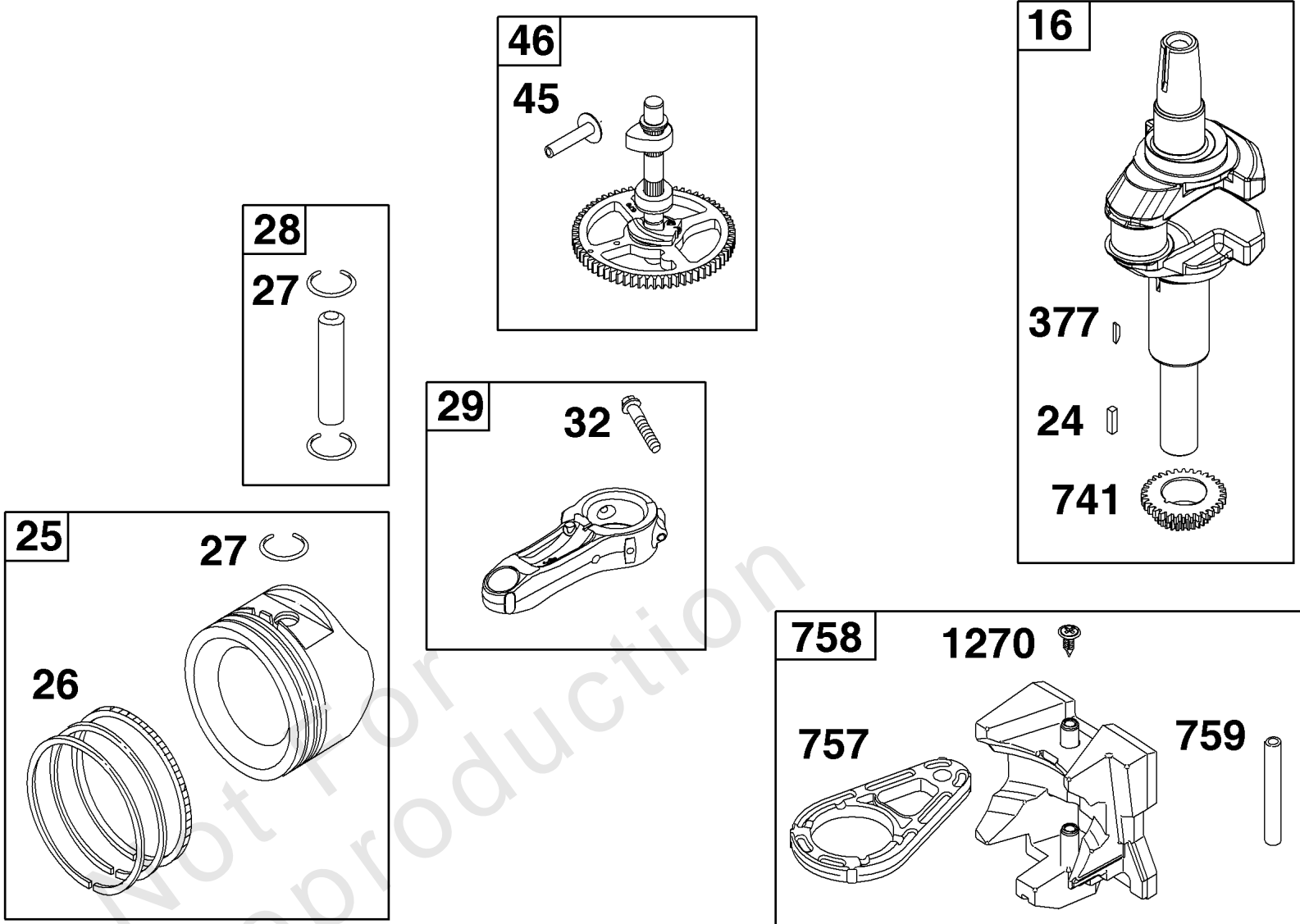
REF NO	PART NO	QTY	DESCRIPTION
188	691693	3	SCREW -(Control Bracket)
202	691841	1	LINK, Mechanical Governor
209	792813	1	SPRING-GOVERNOR
216	691840	1	LINK, Choke
222	597325	1	BRACKET, Control
227	691374	1	LEVER, Governor Control
232	691842	1	SPRING, Governor Link
265	691024	1	CLAMP, Casing
267	794904	1	SCREW -(Casing Clamp)
505	691251	1	NUT -(Governor Control Lever)
562	691119	1	BOLT -(Governor Control Lever)
729	691224	1	CLIP, Wire
789	698329	1	HARNESS, Wiring
877D	790544	1	WIRE/CONNECTOR, Alternator



## ***Crankcase Cover/Sump and Lubrication Group***

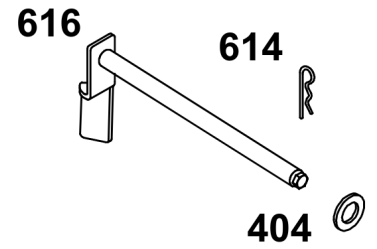
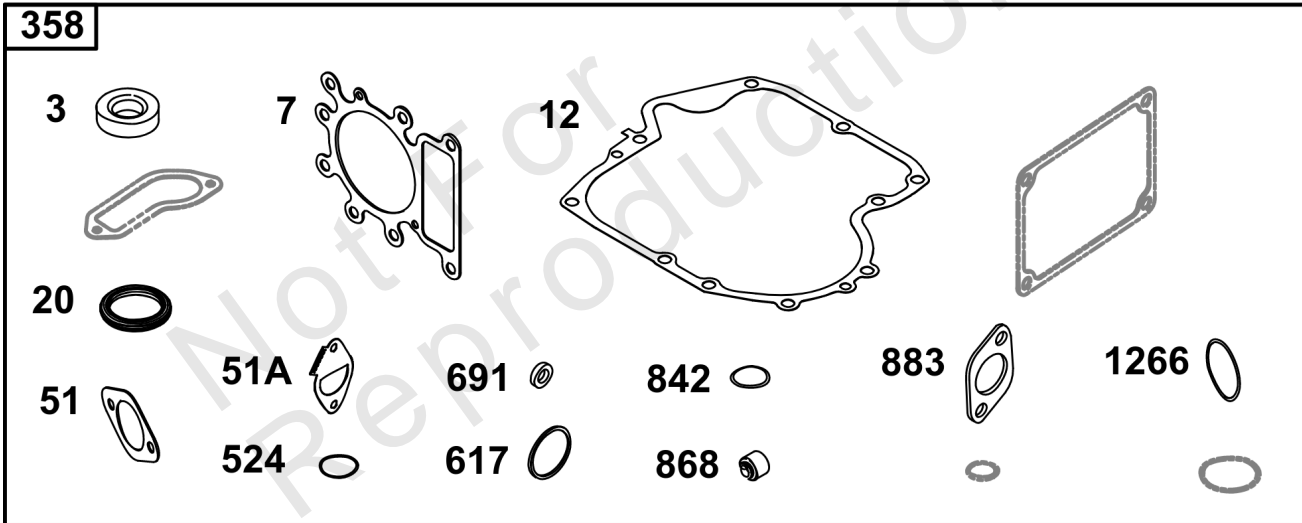
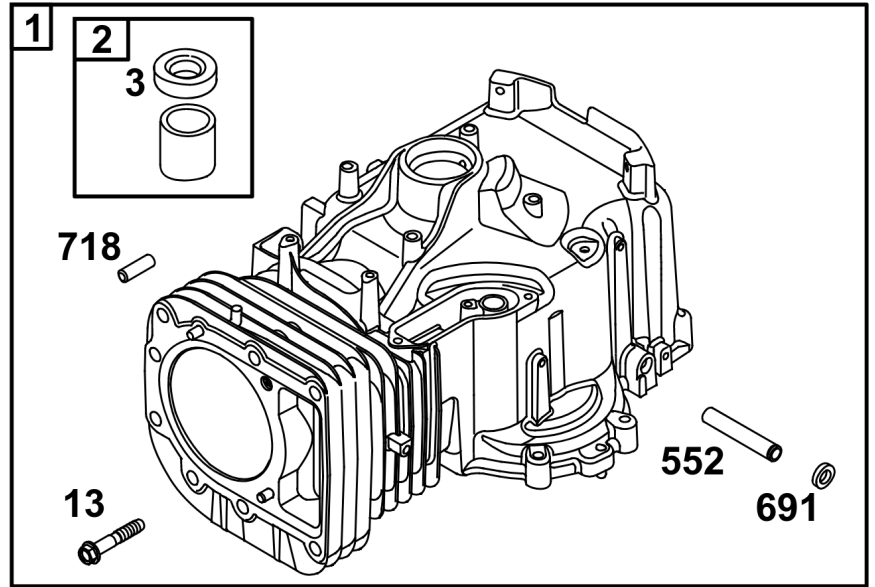
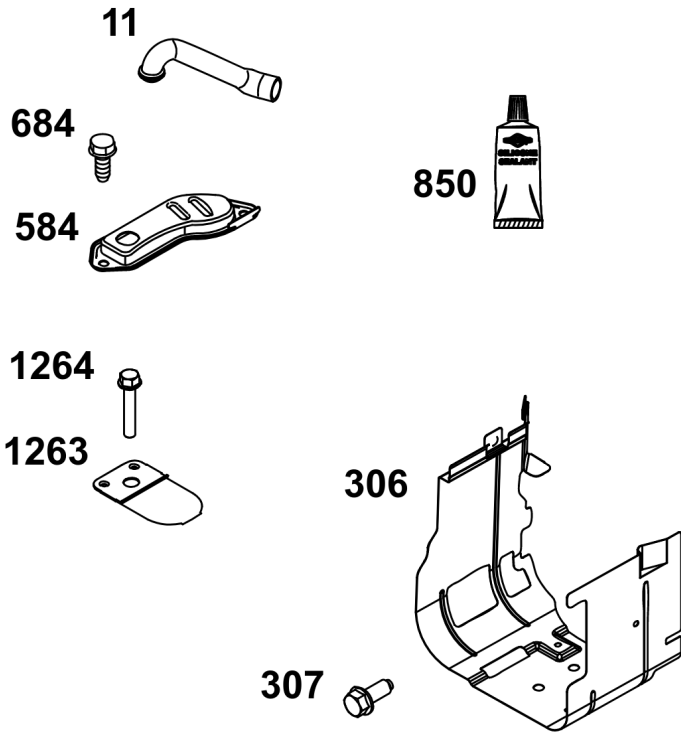
<b>REF NO</b>	<b>PART NO</b>	<b>QTY</b>	<b>DESCRIPTION</b>
4	697106	1	SUMP, Engine
12	697110	1	GASKET, Crankcase
15	690946	1	PLUG, Oil Drain
20	795387	1	SEAL, Oil -(PTO Side)
22	692125	10	SCREW -(Crankcase Cover/Sump)
43	691968	1	SLINGER, Governor/Oil
523	699908	1	DIPSTICK
524	691032	1	SEAL, O-Ring -(Dipstick Tube)
525	697184	1	TUBE, Dipstick
842	691031	1	SEAL, O-Ring -(Dipstick Cap)
847	790442	1	DIPSTICK/TUBE ASSEMBLY
850	100106	1	SEALANT, Liquid

Not For Reproduction



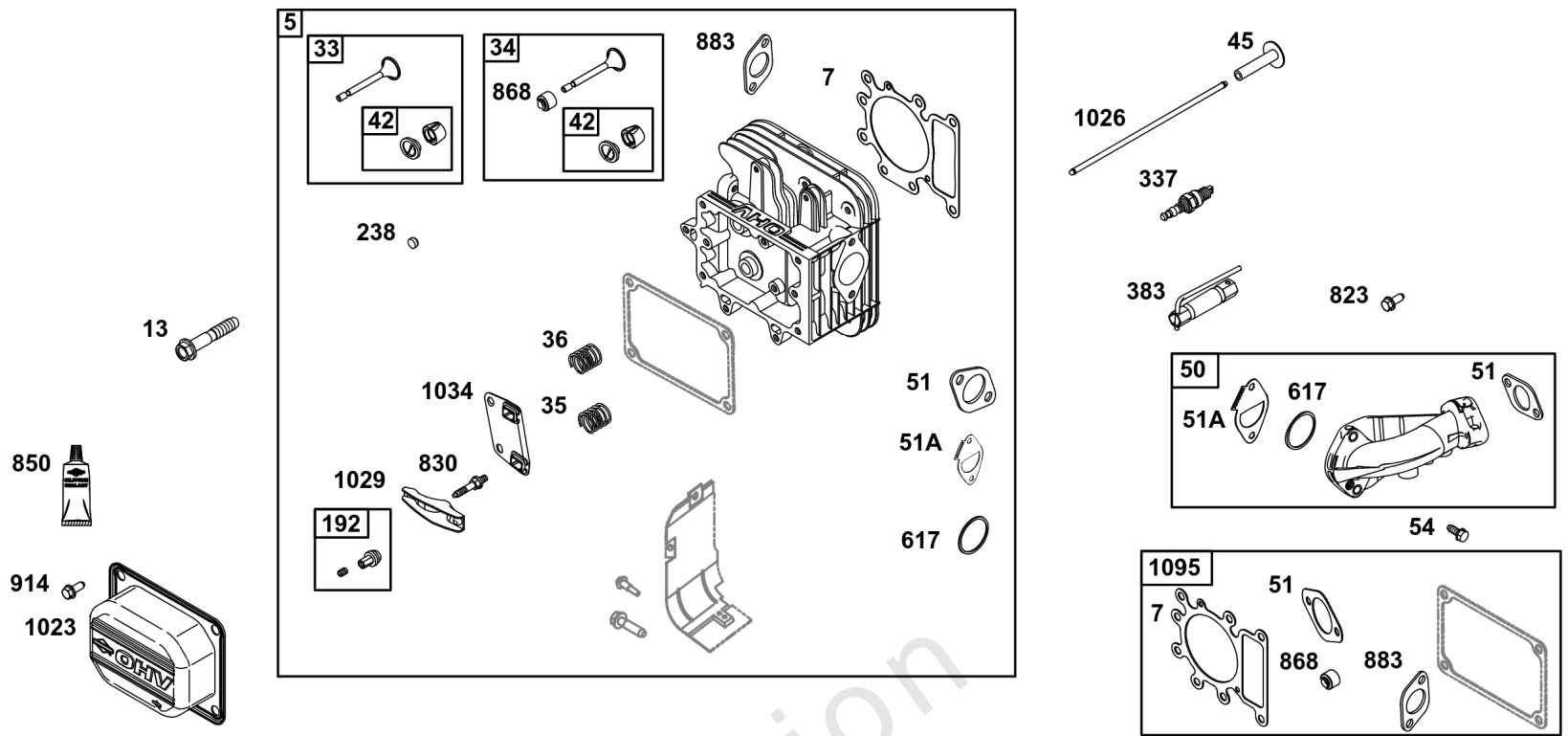
## Crankshaft Group

REF NO	PART NO	QTY	DESCRIPTION
16	596006	1	CRANKSHAFT
24	591757	1	KEY, Flywheel
25	594435	1	PISTON ASSEMBLY -(Standard)
25	594436	1	PISTON ASSEMBLY -(.020" Oversize)
26	594437	1	RING SET -(Standard)
26	594438	1	SET, Ring -(.020 Oversize)
27	698469	1	LOCK-PISTON PIN
28	594439	1	PIN, Piston
29	794122	1	ROD, Connecting
32	791118	2	SCREW -(Connecting Rod)
45	-----	2	TAPPET, Valve -(Part information located in Cylinder Head Group.)
46	793880	1	CAMSHAFT
377	691639	1	KEY, Woodruff
741	697128	1	GEAR, Timing
757	793242	2	LINK, Counterweight
758	594443	1	COUNTERWEIGHT
759	697392	2	PIN, Counterweight
1270	793243	1	PLUG, AVS Counterweight



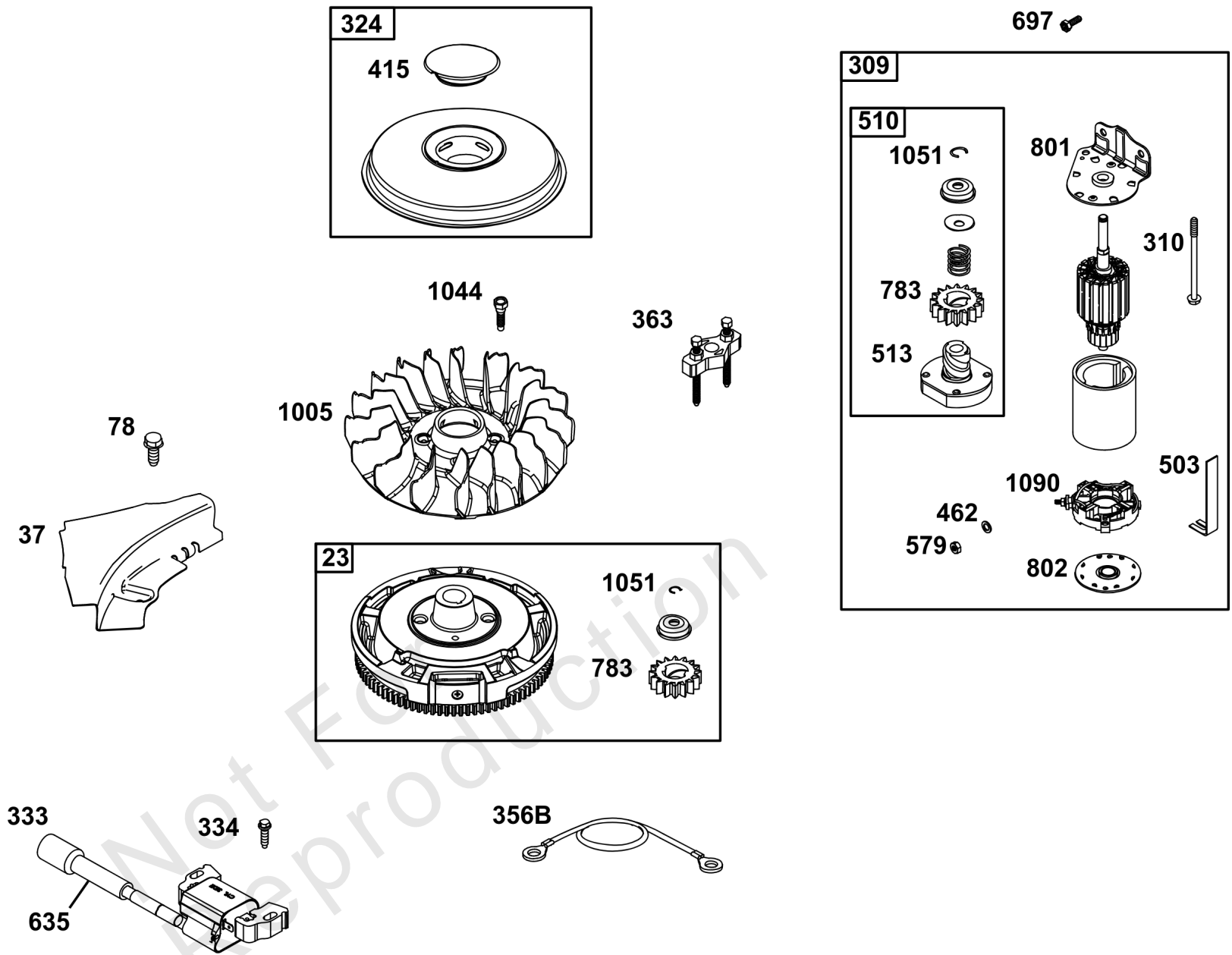
## Cylinder Group

REF NO	PART NO	QTY	DESCRIPTION
1	796010	1	CYLINDER ASSEMBLY
2	797673	1	KIT, Bushing/Seal -(Magneto Side)
3	391086S	1	SEAL, Oil -(Magneto Side)
7	-----	1	GASKET, Cylinder Head -(Part information located in Cylinder Head Group.)
11	794683	1	TUBE, Breather
12	-----	1	GASKET, Crankcase -(Part information located in Crankcase Cover/Sump and Lubrication Group.)
13	596718	8	SCREW
20	-----	1	SEAL, Oil -(Part information located in Crankcase Cover/Sump and Lubrication Group.)
51	-----	1	GASKET, Intake -(Part information located in Cylinder Head Group.)
51A	-----	1	GASKET, Intake -(Part information located in Cylinder Head Group.)
306	592777	1	SHIELD, Cylinder
307	691693	2	SCREW -(Cylinder Shield)
358	796187	1	GASKET SET, Engine -(Service Kits may include extra parts not specific to this engine.)
404	691691	2	WASHER -(Governor Crank)
524	-----	1	SEAL, O-Ring -(Part information located in Crankcase Cover/Sump and Lubrication Group.)
552	697144	1	BUSHING, Governor Crank
584	794682	1	COVER, Breather Passage
614	691620	1	PIN, Cotter
616	692012	1	CRANK-GOVERNOR
617	-----	1	SEAL, O-Ring -(Part information located in Cylinder Head Group.)
684	697157	2	SCREW -(Breather Passage Cover)
691	692407	1	SEAL-GOVERNOR SHAFT
718	690959	2	PIN, Locating
718	690959	2	PIN, Locating
842	-----	1	SEAL, O-Ring -(Part information located in Crankcase Cover/Sump and Lubrication Group.)
850	-----	1	SEALANT, Liquid -(Part information located in Crankcase Cover/Sump and Lubrication Group.)
868	-----	1	SEAL, Valve -(Part information located in Cylinder Head Group.)
883	-----	1	GASKET, Exhaust
1263	697124	1	REED, Breather
1264	697104	1	SCREW -(Breather Reed)
1266	-----	1	SEAL, O-Ring -(Part information located in Blower Housing and Air Cleaner Group.)



## Cylinder Head Group

REF NO	PART NO	QTY	DESCRIPTION
5	796026	1	HEAD-CYLINDER
7	796584	1	GASKET, Cylinder Head
13	84001963	8	SCREW -(Cylinder Head)
33	792868	1	VALVE, Exhaust
34	791935	1	VALVE, Intake
35	691279	1	SPRING, Valve -(Intake)
36	691279	1	SPRING, Valve -(Exhaust)
42	499586	2	KEEPER, Valve
45	690564	2	TAPPET, Valve
50	592842	1	MANIFOLD-INTAKE
51	692137	1	GASKET-INTAKE
51A	796081	1	GASKET, Intake
54	691148	2	SCREW -(Intake Manifold)
192	691986	2	ADJUSTER, ROCKER ARM
238	691843	2	CAP, Valve
337	491055S	1	PLUG, Spark
337	84007216	1	PLUG, SPARK -(China Only)
383	19576S	1	WRENCH, Spark Plug
617	692138	1	SEAL, O-Ring -(Intake Manifold)
823	698941	2	SCREW -(Muffler Adapter)
830	691095	2	STUD-ROCKER ARM
850	100106	1	SEALANT, Liquid
850	-----	1	SEALANT, Liquid -(Part information located in Crankcase Cover/Sump and Lubrication Group.)
868	690968	1	SEAL, Valve
883	692236	1	GASKET, Exhaust
914	691108	4	SCREW -(Rocker Cover)
1023	797421	1	COVER-ROCKER
1026	692003	1	ROD, Push -(Intake)
1026	692011	1	ROD, Push -(Exhaust)
1029	691751	2	ARM, Rocker
1034	690822	1	GUIDE, Push Rod
1095	794152	1	GASKET SET, Valve -(Service Kits may include extra parts not specific to this engine.)



## ***Flywheel, Ignition, and Starter Group***

<b>REF NO</b>	<b>PART NO</b>	<b>QTY</b>	<b>DESCRIPTION</b>
23	591760	1	FLYWHEEL
37	697352	1	GUARD, Flywheel
78	691693	2	SCREW -(Flywheel Guard)
309	593934	1	MOTOR, Starter
310	690323	2	SCREW -(Starter Motor)
324	593933	1	SCREEN/CUP ASSEMBLY
333	594626	1	ARMATURE, Magneto
334	691061	2	SCREW -(Magneto Armature)
356B	697089	1	WIRE, Stop
363	19203	1	PULLER, Flywheel
415	794129	1	COVER, Flywheel
462	691261	2	WASHER -(Starter Cable)
503	691532	1	STRAP-STARTER
510	693699	1	DRIVE, Starter
513	692024	1	CLUTCH-DRIVE
579	691029	1	NUT -(Starter Cable)
635	691909	1	BOOT, Spark Plug
697	791680	2	SCREW -(Starter Motor) (Drive Cap)
783	591758	1	FLYWHEEL
801	691283	1	CAP-DRIVE
802	691286	1	CAP-END
1005	796083	1	FAN, Flywheel
1044	698139	1	SCREW -(Flywheel)
1051	591758	1	FLYWHEEL
1090	691293	1	RETAINER-BRUSH

## Replacement Engine US & Canada

REF NO	PART NO	QTY	DESCRIPTION
	31R9070006G1		ENGINE
	592059A	1	SB MODEL 31 VERT
	-----		Idle Speed: 1750
	-----		Top No-Load Speed: 3350

Not For Reproduction

