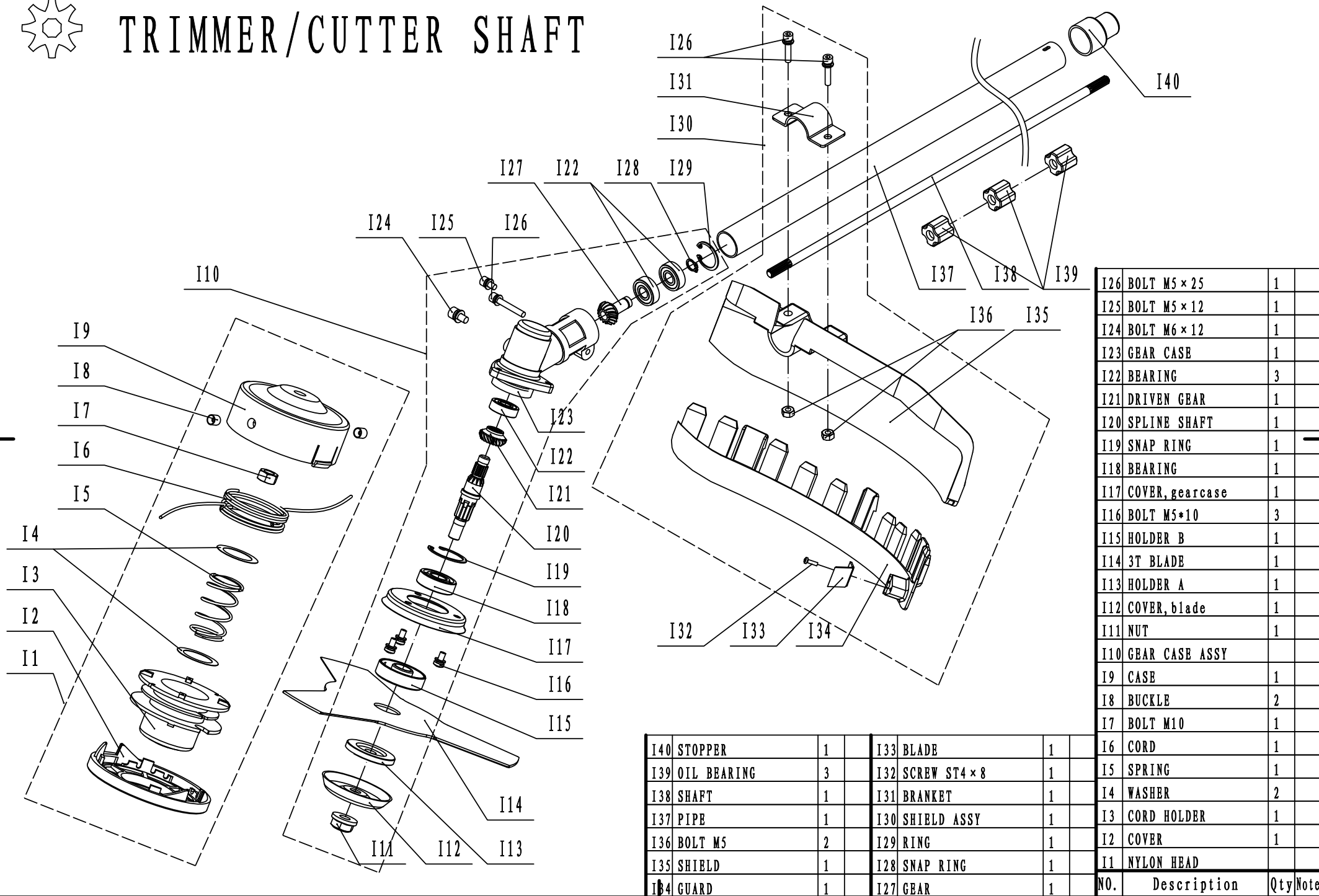


TRIMMER/CUTTER SHAFT



I26	BOLT M5 × 25	1	
I25	BOLT M5 × 12	1	
I24	BOLT M6 × 12	1	
I23	GEAR CASE	1	
I22	BEARING	3	
I21	DRIVEN GEAR	1	
I20	SPLINE SHAFT	1	
I19	SNAP RING	1	
I18	BEARING	1	
I17	COVER, gearcase	1	
I16	BOLT M5×10	3	
I15	HOLDER B	1	
I14	3T BLADE	1	
I13	HOLDER A	1	
I12	COVER, blade	1	
I11	NUT	1	
I10	GEAR CASE ASSY		
I9	CASE	1	
I8	BUCKLE	2	
I7	BOLT M10	1	
I6	CORD	1	
I5	SPRING	1	
I4	WASHER	2	
I3	CORD HOLDER	1	
I2	COVER	1	
I1	NYLON HEAD		
I40	STOPPER	1	
I39	OIL BEARING	3	
I38	SHAFT	1	
I37	PIPE	1	
I36	BOLT M5	2	
I35	SHIELD	1	
I34	GUARD	1	
I33	BLADE	1	
I32	SCREW ST4 × 8	1	
I31	BRANKET	1	
I30	SHIELD ASSY	1	
I29	RING	1	
I28	SNAP RING	1	
I27	GEAR	1	
NO.	Description	Qty	Note