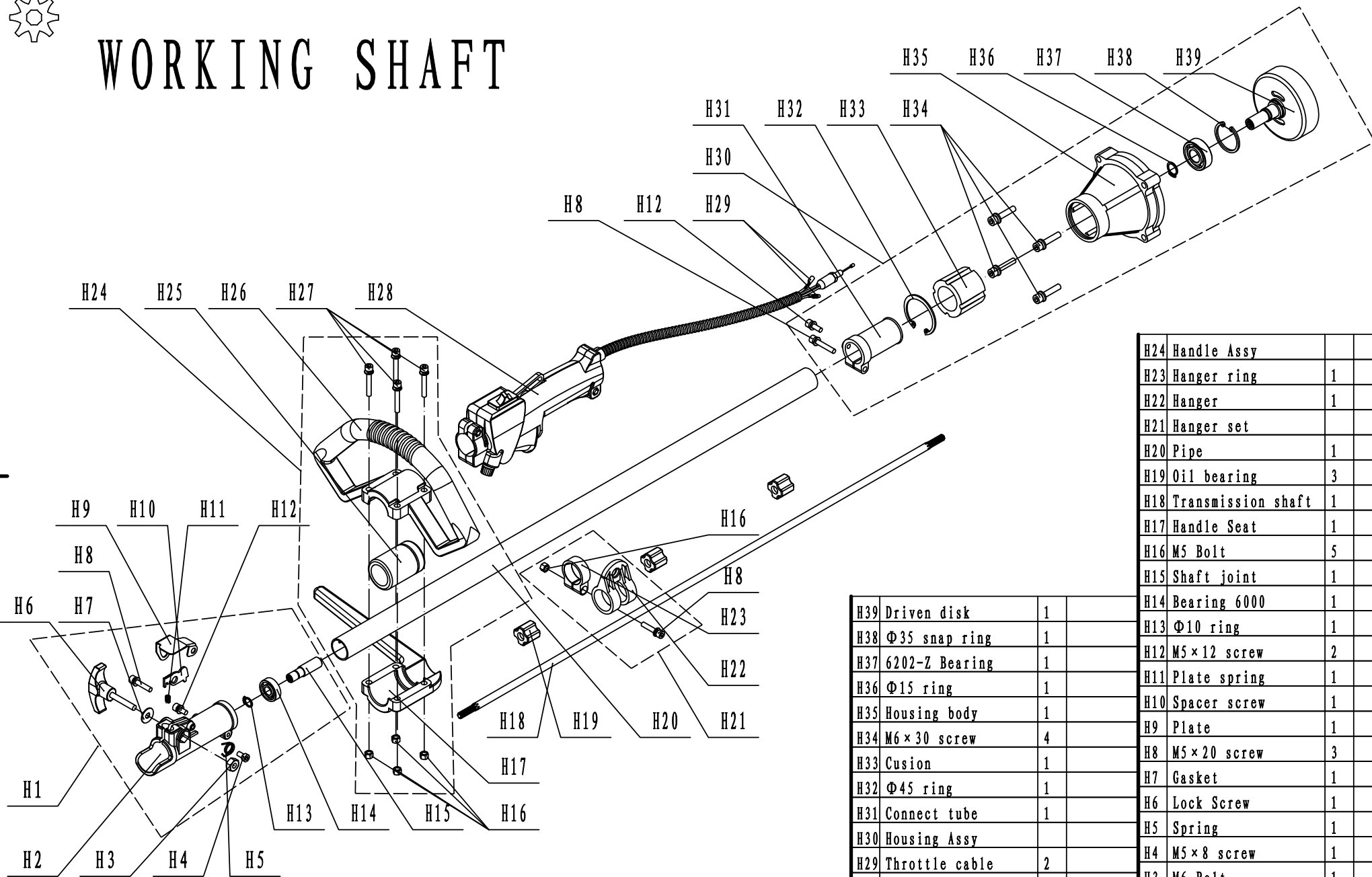




WORKING SHAFT



H24	Handle Assy		
H23	Hanger ring	1	
H22	Hanger	1	
H21	Hanger set		
H20	Pipe	1	
H19	Oil bearing	3	
H18	Transmission shaft	1	
H17	Handle Seat	1	
H16	M5 Bolt	5	
H15	Shaft joint	1	
H14	Bearing 6000	1	
H13	Φ10 ring	1	
H12	M5 × 12 screw	2	
H11	Plate spring	1	
H10	Spacer screw	1	
H9	Plate	1	
H8	M5 × 20 screw	3	
H7	Gasket	1	
H6	Lock Screw	1	
H5	Spring	1	
H4	M5 × 8 screw	1	
H3	M6 Bolt	1	
H2	Joint Seat	1	
H1	Joint		
H39	Driven disk	1	
H38	Φ35 snap ring	1	
H37	6202-Z Bearing	1	
H36	Φ15 ring	1	
H35	Housing body	1	
H34	M6 × 30 screw	4	
H33	Cusion	1	
H32	Φ45 ring	1	
H31	Connect tube	1	
H30	Housing Assy		
H29	Throttle cable	2	
H28	Grip Assy	1	
H27	M5 × 35 screw	4	
H26	Handle	1	
H25	Handle grip	1	
NO.	Description	Qty	Note