



# Parts Manual

Mfg. No: 31R907-0007-G1



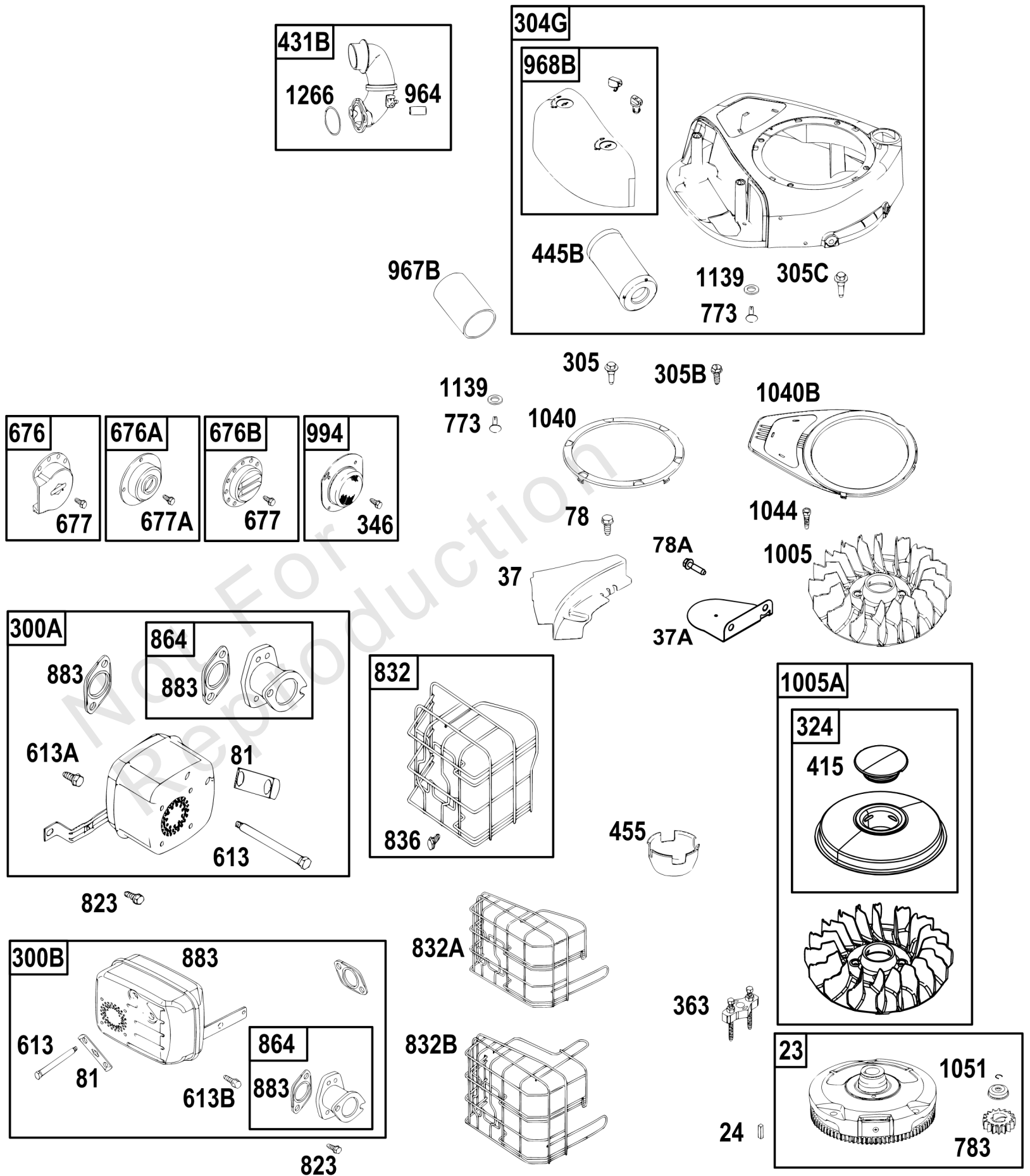
---

<b>Model Components</b>	<b>Page</b>
AIR CLEANER, BLOWER HOUSING, TRIM RNG, EXHAUST SYSTEM, FLYWHEEL.....	4
CAMSHAFT, CRANKSHAFT & COUNTER BALANCE, CYLINDER, ENGINE SUMP & BREATHER,	8
CARBURETOR, FUEL SUPPLY, KIT - CARBURETOR OVERHAUL.....	14
CONTROLS, ALTERNATOR, WIRE ASSY, ELECTRIC STARTER, GOVERNOR SPRING, IGNITION.....	20
CYLINDER HEAD, INTAKE MANIFOLD, OIL FILL, VALVES.....	24
Replacement Engine - US & Canada.....	28

Not For  
Reproduction

# AIR CLEANER, BLOWER HOUSING, TRIM RING, EXHAUST SYSTEM, FLYWHEEL

Mfg. No: 31R907-0007-G1

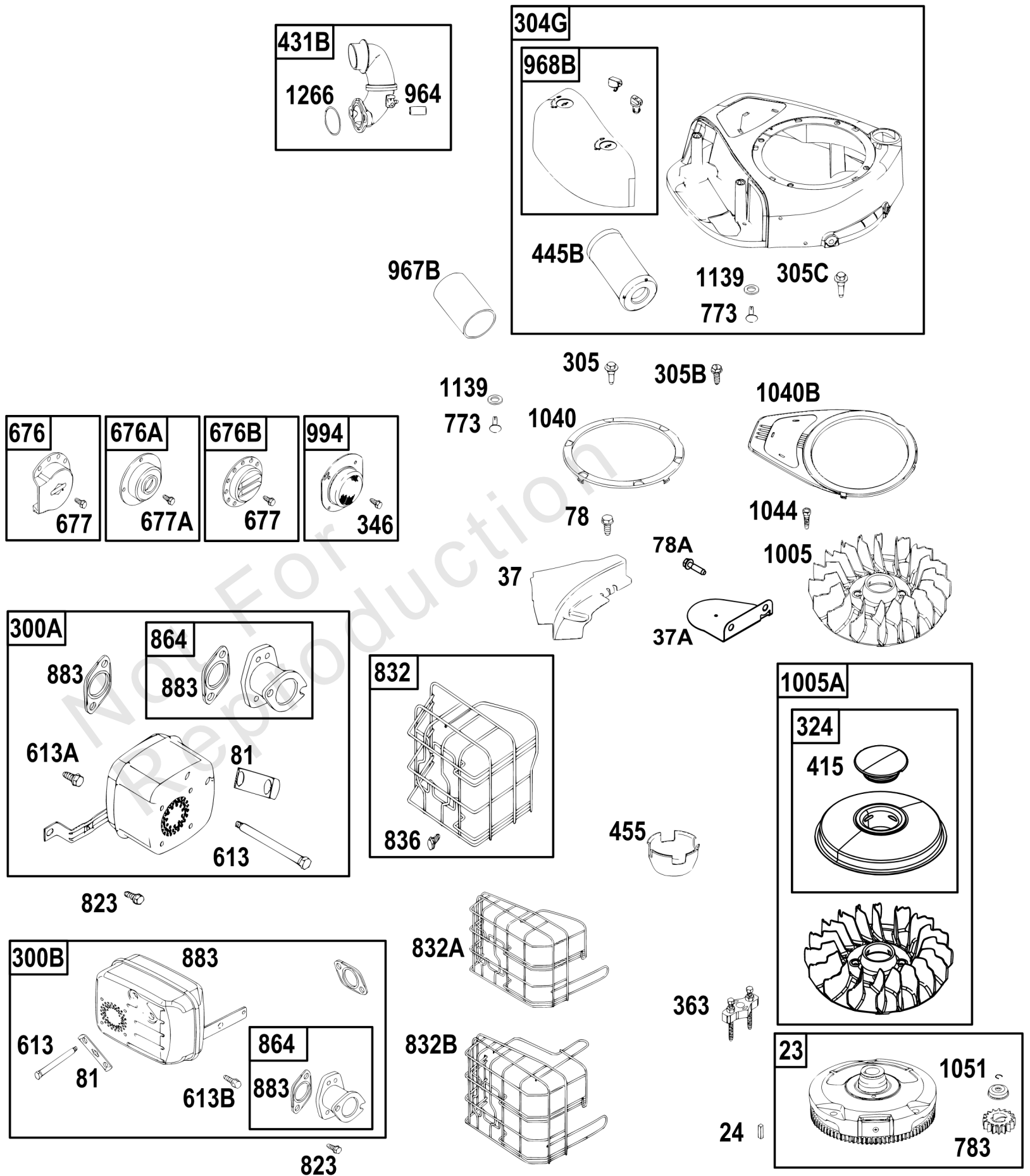


**AIR CLEANER, BLOWER HOUSING, TRIM RNG, EXHAUST SYSTEM, FLYWHEEL**

REF NO	PART NO	QTY	DESCRIPTION
23	591760		FLYWHEEL
24	591757		KEY, Flywheel
37	697352		GUARD, Flywheel
37A	697626		GUARD, Flywheel
78	691693		SCREW -(Flywheel Guard)
78A	690364		SCREW -(Flywheel Guard)
81	691178		LOCK, Muffler Screw
300B	795997		MUFFLER
304G	591642		HOUSING, Blower -(Black-Compatible With Canister Style Filter)
304G	591643		HOUSING, Blower -(Black w/threaded inserts-Compatible With Canister Style Filter)
305	697102		SCREW -(Blower Housing) (Blower Housing)(Shoulder Bolt)
305B	795891		SCREW -(Blower Housing) (Hex Head Tapping)
305C	799370		SCREW -(Blower Housing) (Blower Housing)(Shoulder Bolt)
324	593933		SCREEN/CUP ASSEMBLY
346	794845		SCREW -(Spark Arrestor)
363	19203		PULLER, Flywheel
415	794129		COVER, Flywheel
431B	797901		ELBOW, Intake -(Black-Compatible With Canister Style Filter)
445B	594201		FILTER, A/C Cartridge -(Canister)
455	796615		CUP, Flywheel
613	691416		SCREW -(Muffler)
613A	691678		SCREW -(Muffler) (Muffler)
613B	690297		SCREW -(Muffler) (1/4-20 x 0.62 )
676	795036		DEFLECTOR, Muffler
676A	396903		DEFLECTOR, Muffler
676B	795038		DEFLECTOR, Muffler
677	794845		SCREW -(Muffler Deflector)
677A	690661		SCREW -(Muffler Deflector)
773	796448		RETAINER
783	593935		GEAR, Pinion
823	698941		SCREW -(Muffler Adapter)
832	790293		GUARD, Muffler
832A	595029		GUARD, Muffler
832B	706336		GUARD, Muffler
836	690367		SCREW -(Muffler Guard) (#8-18)
864	796002		ADAPTER, Muffler -(2 1/4" Long)
883	692236		GASKET, Exhaust
964	799159		CAP, Connector

# AIR CLEANER, BLOWER HOUSING, TRIM RING, EXHAUST SYSTEM, FLYWHEEL

Mfg. No: 31R907-0007-G1



## **AIR CLEANER, BLOWER HOUSING, TRIM RNG, EXHAUST SYSTEM, FLYWHEEL**

<b>REF NO</b>	<b>PART NO</b>	<b>QTY</b>	<b>DESCRIPTION</b>
967B	797704		FILTER, Pre Cleaner
968B	591647		COVER, Air Cleaner -(Black-Compatible With Canister Style Filter)
994	794945		ARRESTOR, Spark
1005	796083		FAN, Flywheel -Used Before Code Date 07040900
1005A	796201		FAN-FLYWHEEL -Used After Code Date 07030900
1040	698368		PLATE, Trim
1040B	699852		PLATE, Trim
1044	698139		SCREW -(Flywheel)
1051	691265		RING, Retaining
1139	796449		WASHER -(Fuel Pump Bracket)
1266	691917		SEAL, O-Ring -(Intake Elbow)

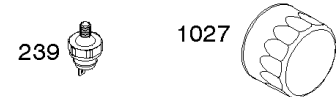
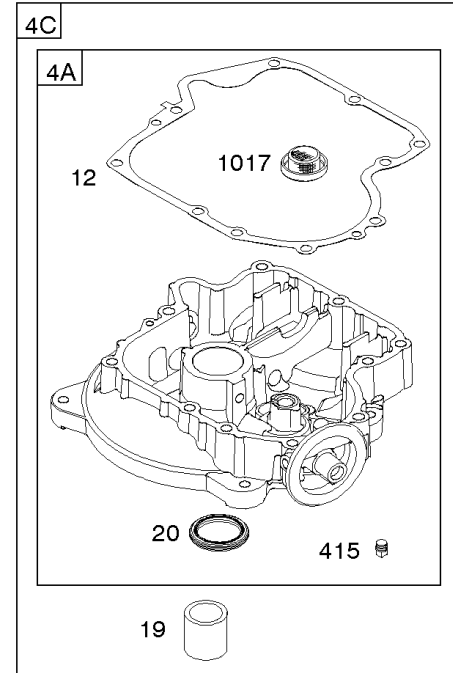
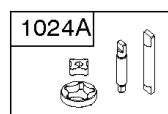
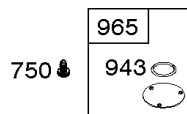
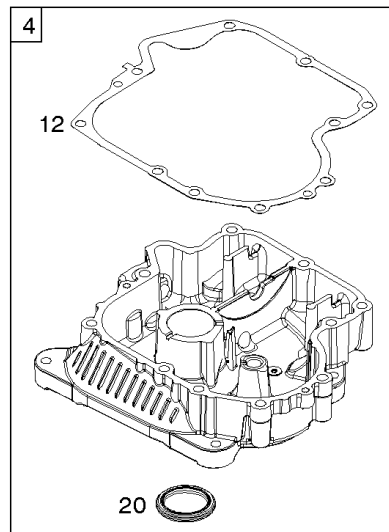
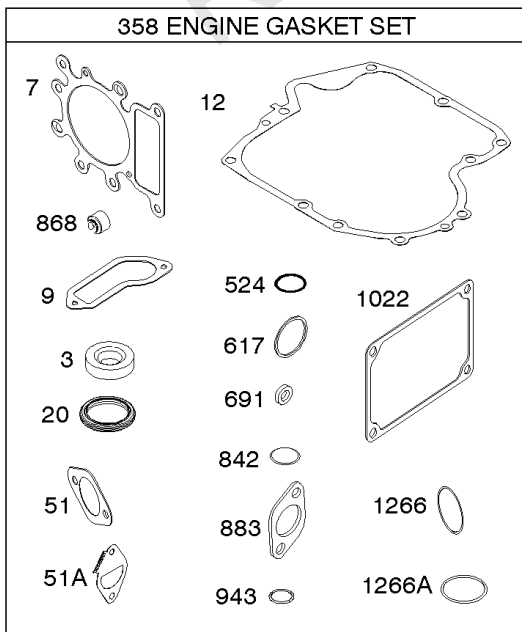
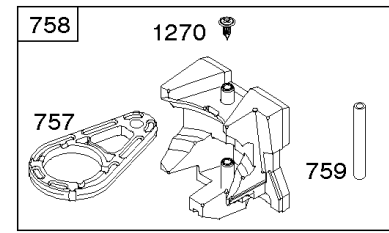
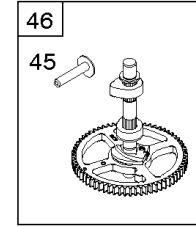
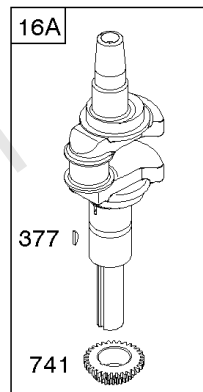
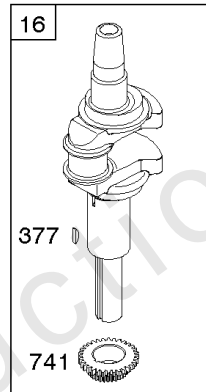
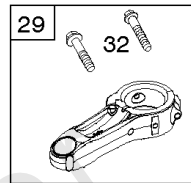
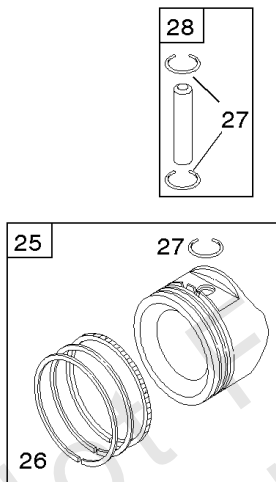
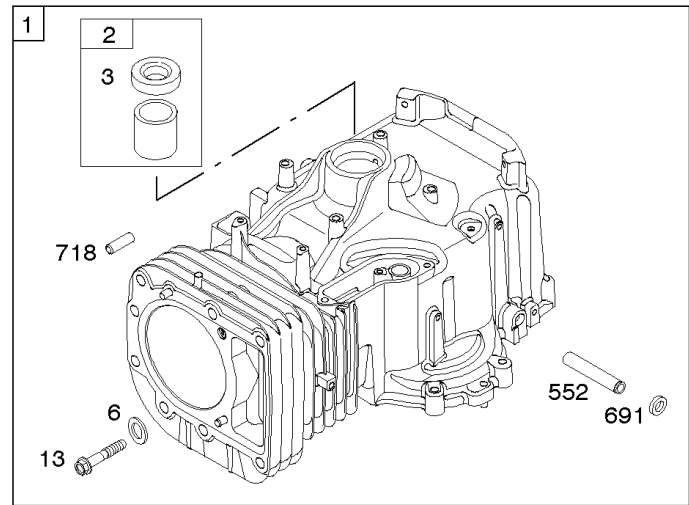
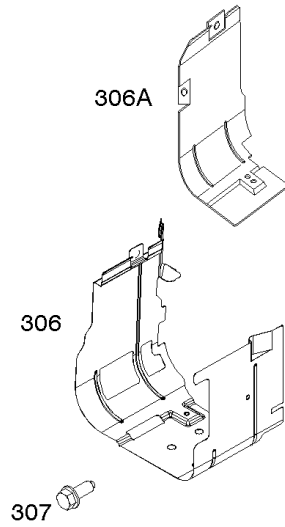
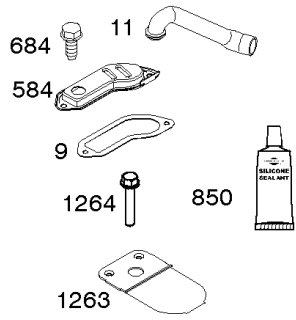
Not For Reproduction

# CAMSHAFT, CRANKSHAFT & COUNTER BALANCE, CYLINDER, ENGINE SUMP &

Mfg. No: 31R907-0007-G1

1036 EMISSIONS LABEL

1319 WARNING LABEL



## CAMSHAFT, CRANKSHAFT & COUNTER BALANCE, CYLINDER, ENGINE SUMP &

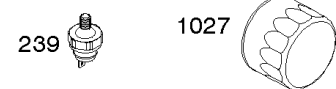
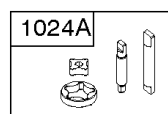
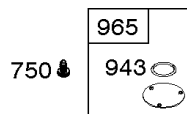
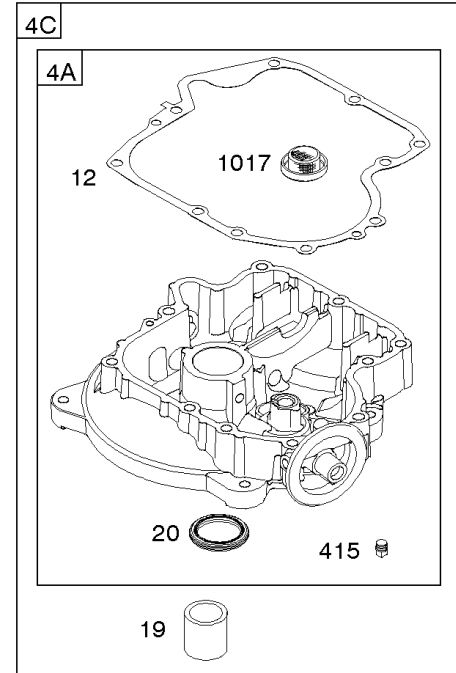
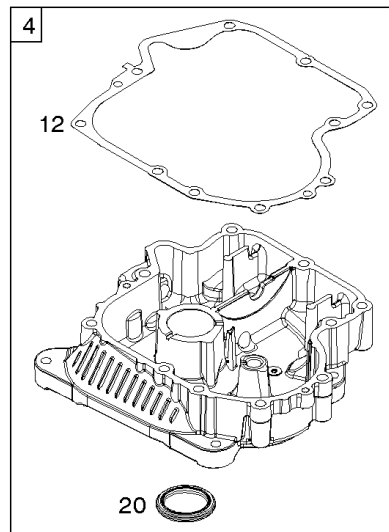
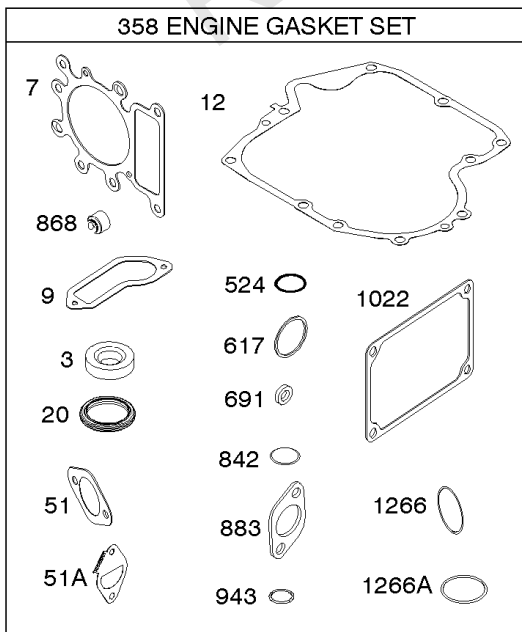
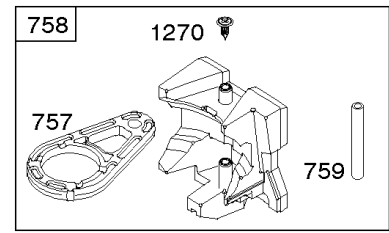
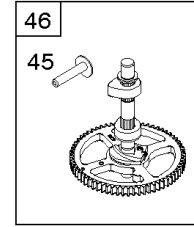
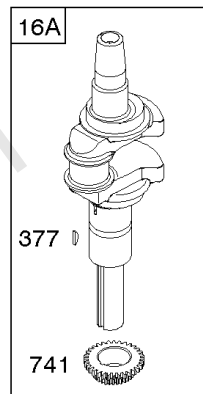
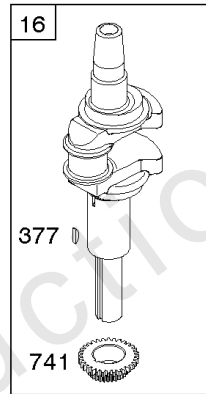
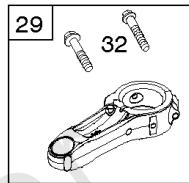
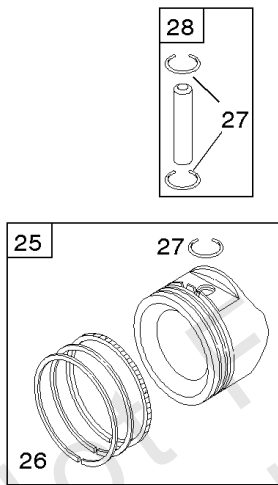
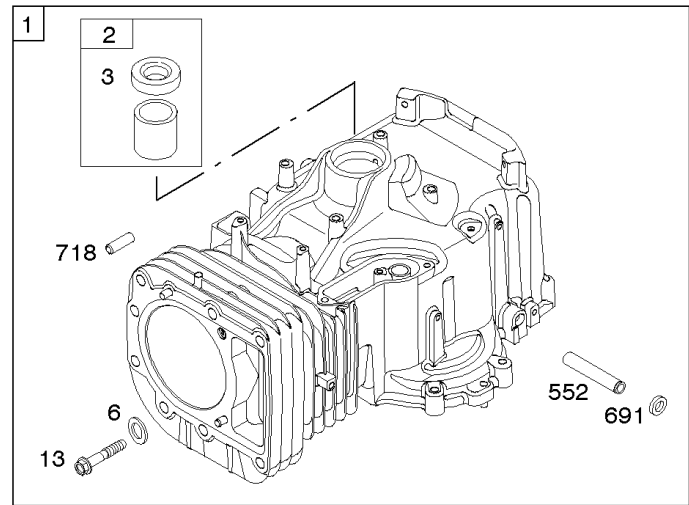
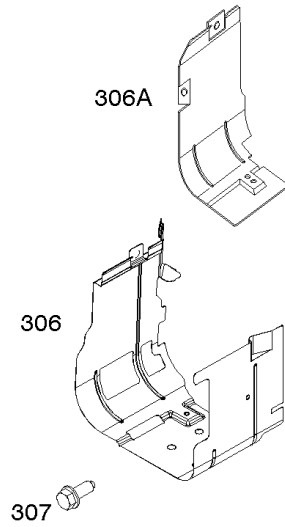
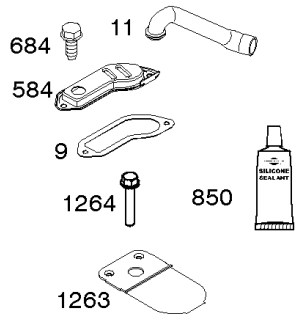
REF NO	PART NO	QTY	DESCRIPTION
1	796010		CYLINDER ASSEMBLY
2	797673		KIT, Bushing/Seal -(Magneto Side)
3	391086S		SEAL, Oil -(Magneto Side)
4	697106		SUMP, Engine
6	690310		WASHER -(Cylinder Head)
7	796584		GASKET, Cylinder Head
9	697109		GASKET, Breather -(Use Liquid Sealant Reference 850)
11	794683		TUBE, Breather
12	697110		GASKET, Crankcase
13	592244		SCREW -(Cylinder Head) (5/16-18 x 2.69)
15	691680		PLUG, Oil Drain -(Square Socket)
15	690946		PLUG, Oil Drain -(Square Head)
16	596006		CRANKSHAFT
19	591010		KIT, Bushing/Seal -(PTO Side)
20	795387		SEAL, Oil -(PTO Side)
22	692125		SCREW -(Crankcase Cover/Sump)
24	591757		KEY, Flywheel
25	796172		PISTON ASSEMBLY -(Standard) -Used Before Code Date 14100600
25	594435		PISTON ASSEMBLY -(Standard) -Used After Code Date 14100500
25	594436		PISTON ASSEMBLY -(.020" Oversize) -Used After Code Date 14100500
25	796173		PISTON ASSEMBLY -(.020 Oversize) -Used Before Code Date 14100600
26	594437		RING SET -(Standard)
26	792649		SET, Ring -(Standard) -Used Before Code Date 14100600
26	594438		SET, Ring -(Standard) -Used After Code Date 14100500
27	698469		LOCK, Piston Pin
28	594439		PIN, Piston -(1.62" Long) -Used After Code Date 14100500
28	796007		PIN, Piston -(1.97 ) -Used Before Code Date 14100600
29	794122		ROD, Connecting
32	791118		SCREW -(Connecting Rod)
43	691968		SLINGER, Governor/Oil
45	690564		TAPPET, Valve

# CAMSHAFT, CRANKSHAFT & COUNTER BALANCE, CYLINDER, ENGINE SUMP &

Mfg. No: 31R907-0007-G1

1036 EMISSIONS LABEL

1319 WARNING LABEL



## **CAMSHAFT,CRANKSHAFT & COUNTER BALANCE, CYLINDER, ENGINE SUMP &**

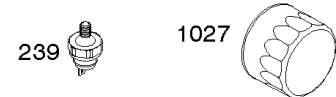
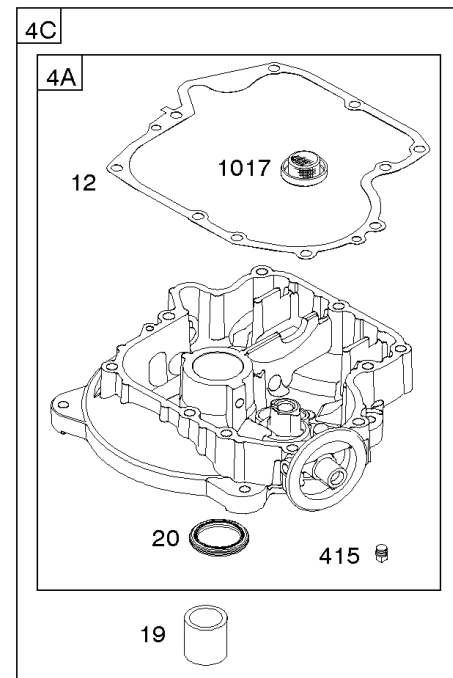
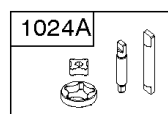
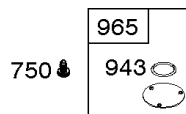
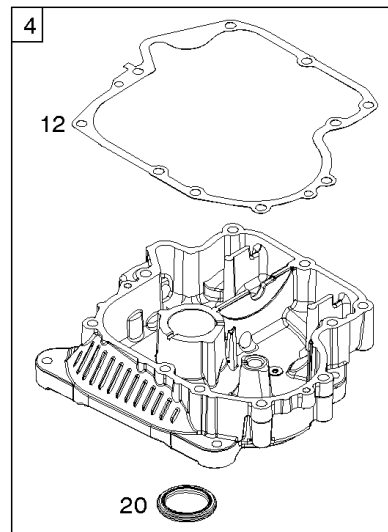
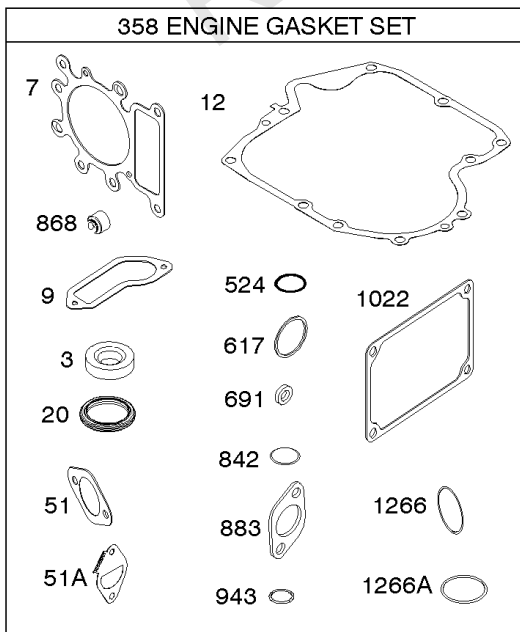
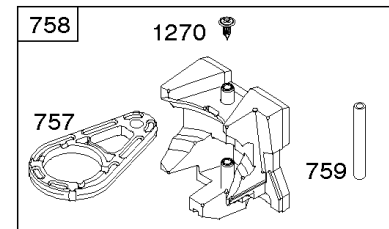
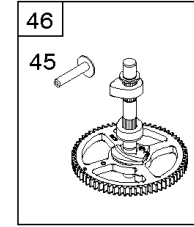
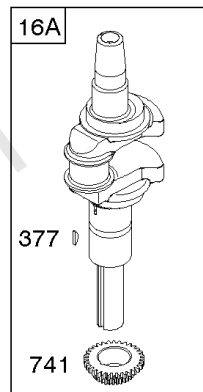
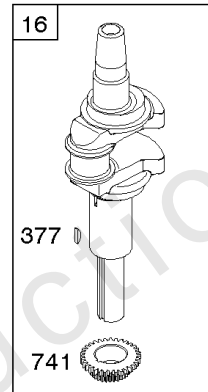
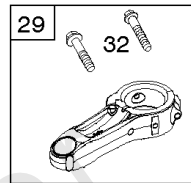
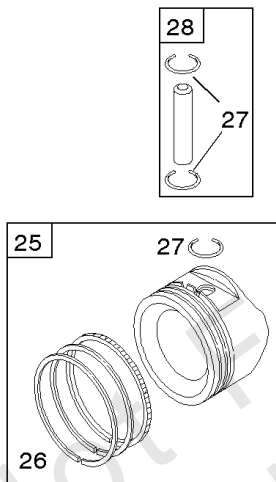
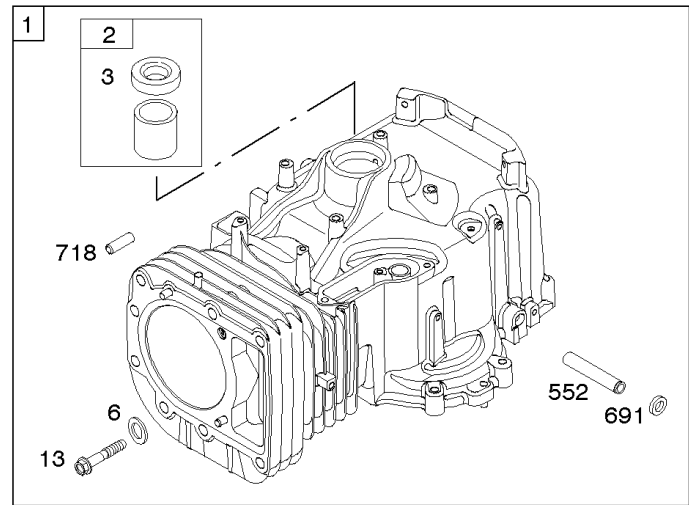
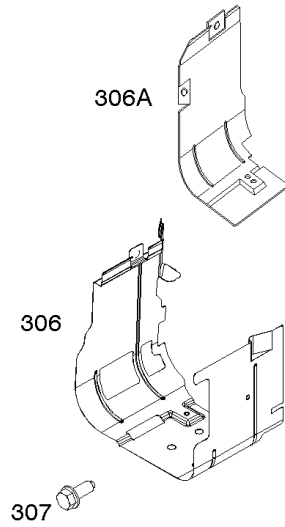
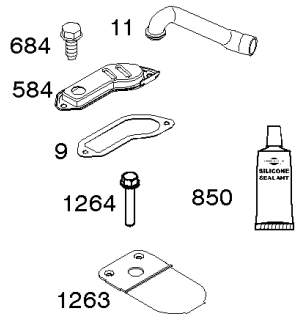
<b>REF NO</b>	<b>PART NO</b>	<b>QTY</b>	<b>DESCRIPTION</b>
46	793880		CAMSHAFT
51	692137		GASKET-INTAKE
51A	796081		GASKET, Intake
239	491657S		SWITCH, Oil Pressure
306	592777		SHIELD, Cylinder
306A	794953		SHIELD, Cylinder
307	691693		SCREW -(Cylinder Shield)
357	691483		KEY, Drive Pulley
358	796187		GASKET SET, Engine
377	691639		KEY, Woodruff
415	794903		PLUG -(Engine Sump)
524	691032		SEAL, O-Ring
552	697144		BUSHING, Governor Crank
584	794682		COVER, Breather Passage -(Use with Liquid Sealant Reference 850)
617	692138		SEAL, O-Ring -(Intake Manifold)
684	697157		SCREW -(Breather Passage Cover)
691	692407		SEAL, Governor Shaft
718	690959		PIN, Locating
741	697128		GEAR, Timing
750	790832		SCREW -(Oil Pump Cover)
757	793242		LINK, Counterweight
758	594443		COUNTERWEIGHT -Used After Code Date 14100500
758	793763		COUNTERWEIGHT -Used Before Code Date 14100600
759	697392		PIN, Counterweight
842	691031		SEAL, O-Ring -(Dipstick Tube) (Special Dipstick Tube)
850	100106		SEALANT, Liquid -(Rocker Cover Gasket and Breather Gasket)
868	690968		SEAL, Valve
883	692236		GASKET, Exhaust
943	690589		SEAL, O-Ring -(Oil Pump Cover)
965	499613		COVER, Oil Pump
1017	796981		SCREEN, Oil Pump -(Push In)
1022	272475S		GASKET, Rocker Cover -(Use Liquid Sealant Reference 850)
1024A	794644		PUMP-OIL
1027	798576		FILTER, Oil -(Premium)(Orange)
1027	696854		FILTER, Oil -(Premium)(Yellow)
1027	492932S		FILTER, Oil -(Standard)(Black)
1036	-----		Label-Emissions -(Available From A Briggs & Stratton Authorized Dealer)
1263	697124		REED, Breather
1264	697104		SCREW -(Breather Reed)

# CAMSHAFT, CRANKSHAFT & COUNTER BALANCE, CYLINDER, ENGINE SUMP &

Mfg. No: 31R907-0007-G1

1036 EMISSIONS LABEL

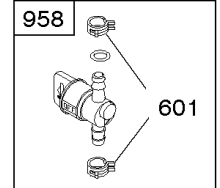
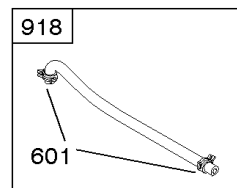
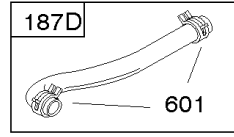
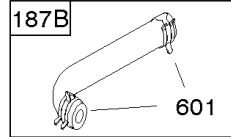
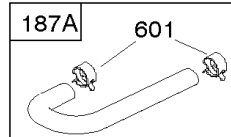
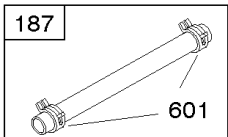
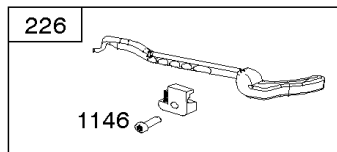
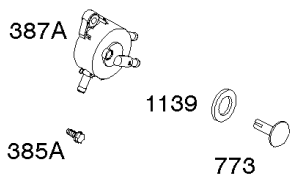
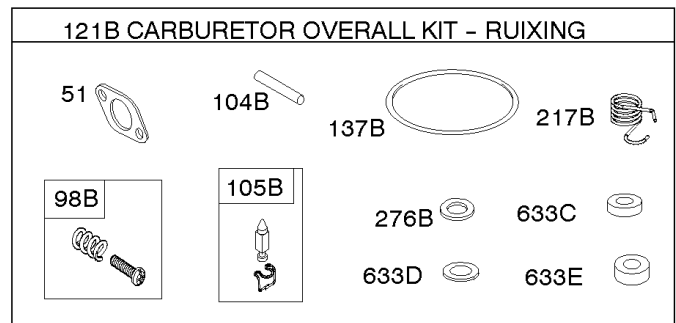
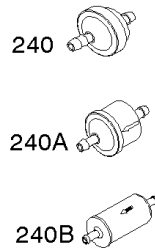
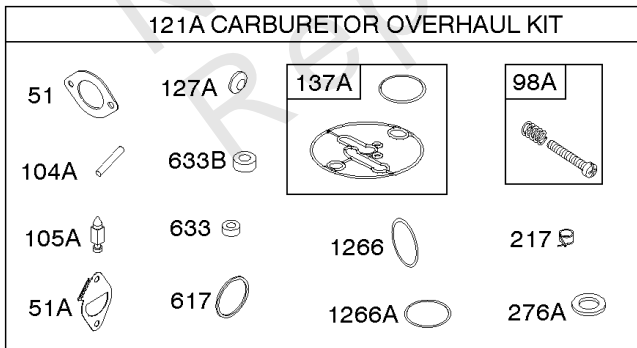
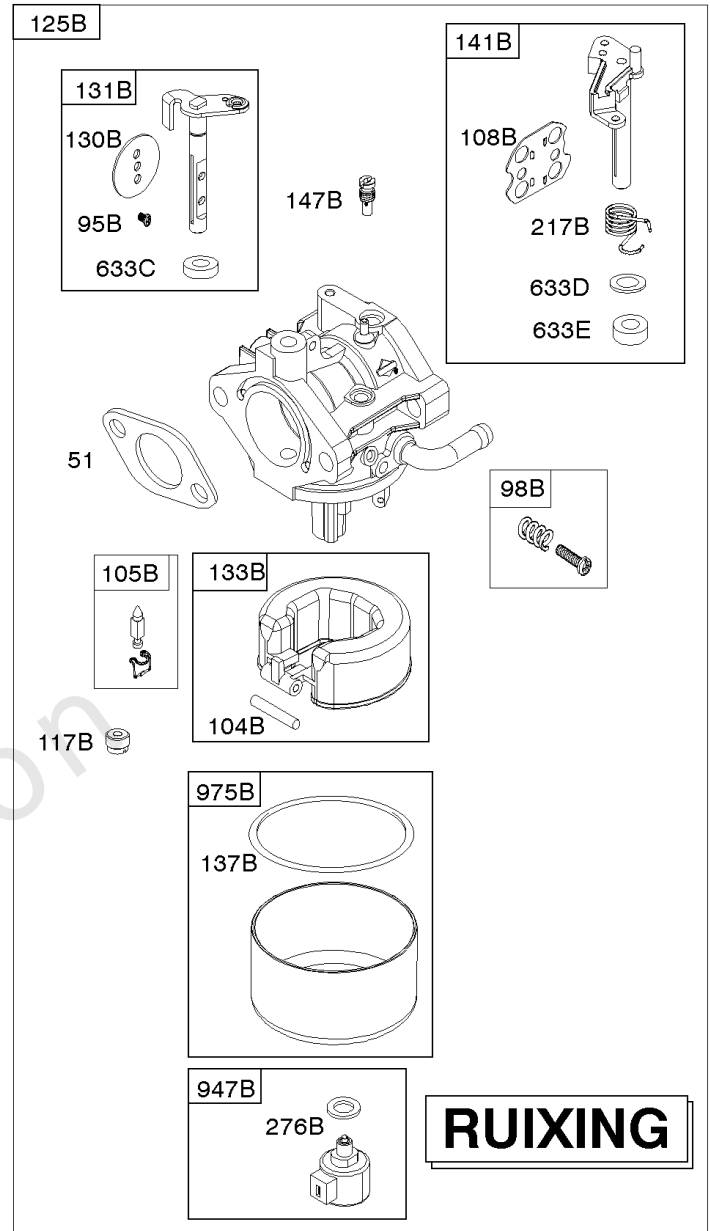
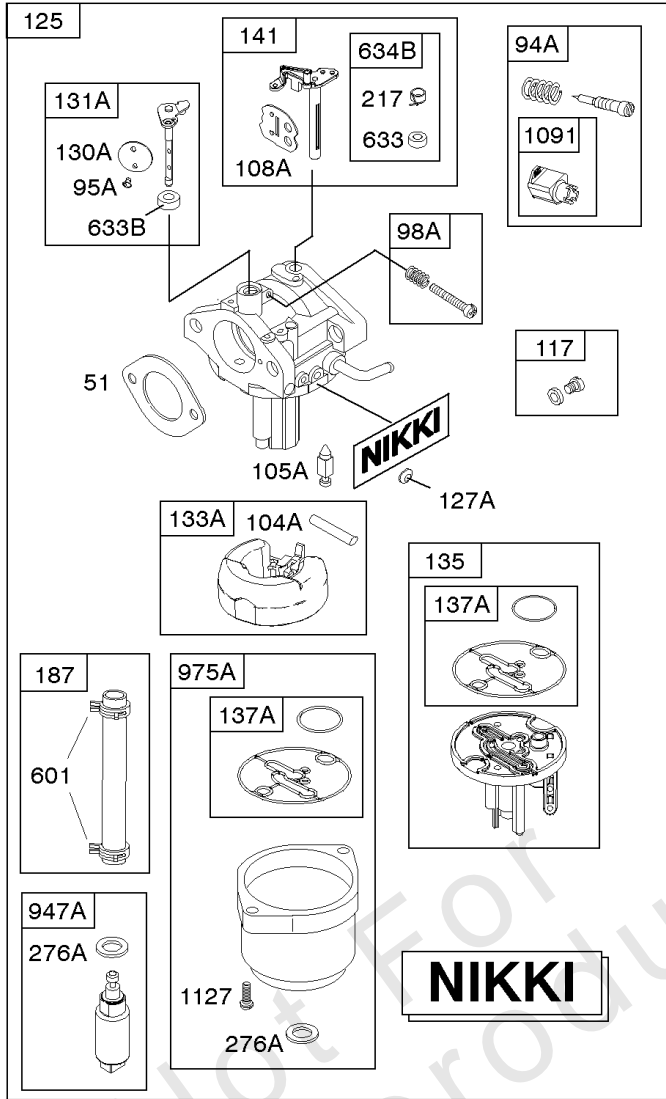
1319 WARNING LABEL



## ***CAMSHAFT, CRANKSHAFT & COUNTER BALANCE, CYLINDER, ENGINE SUMP &***

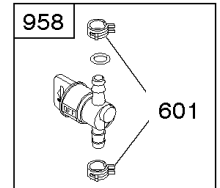
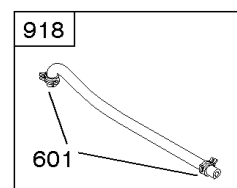
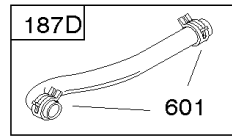
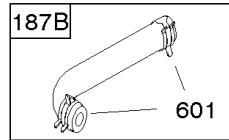
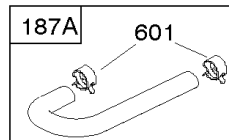
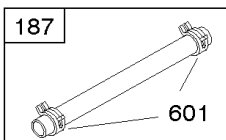
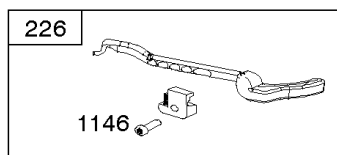
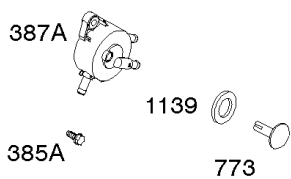
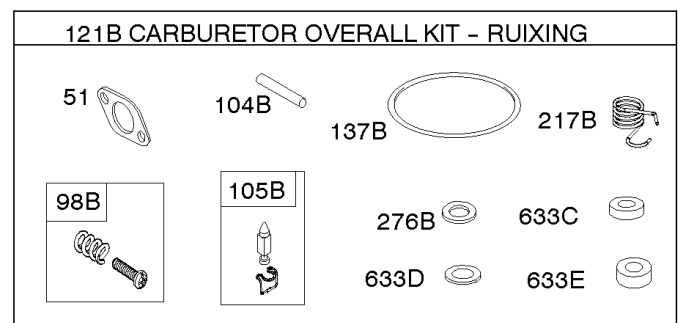
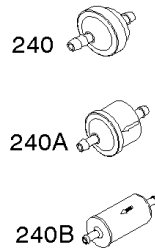
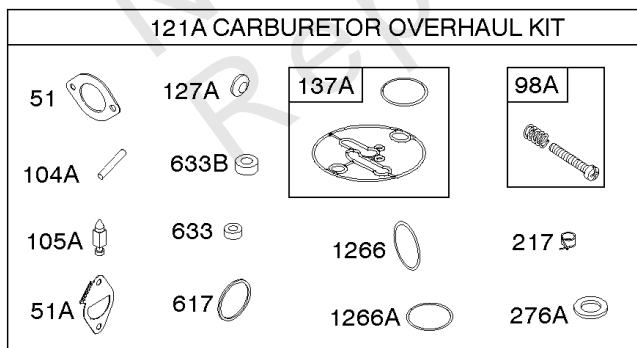
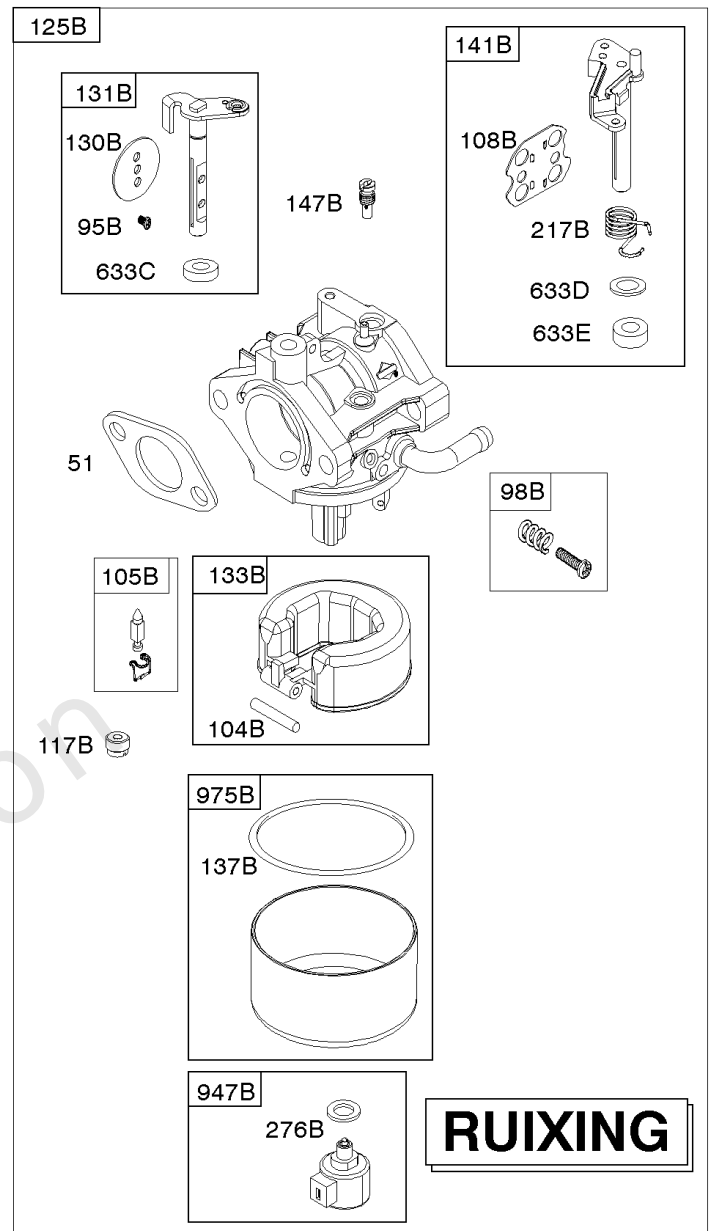
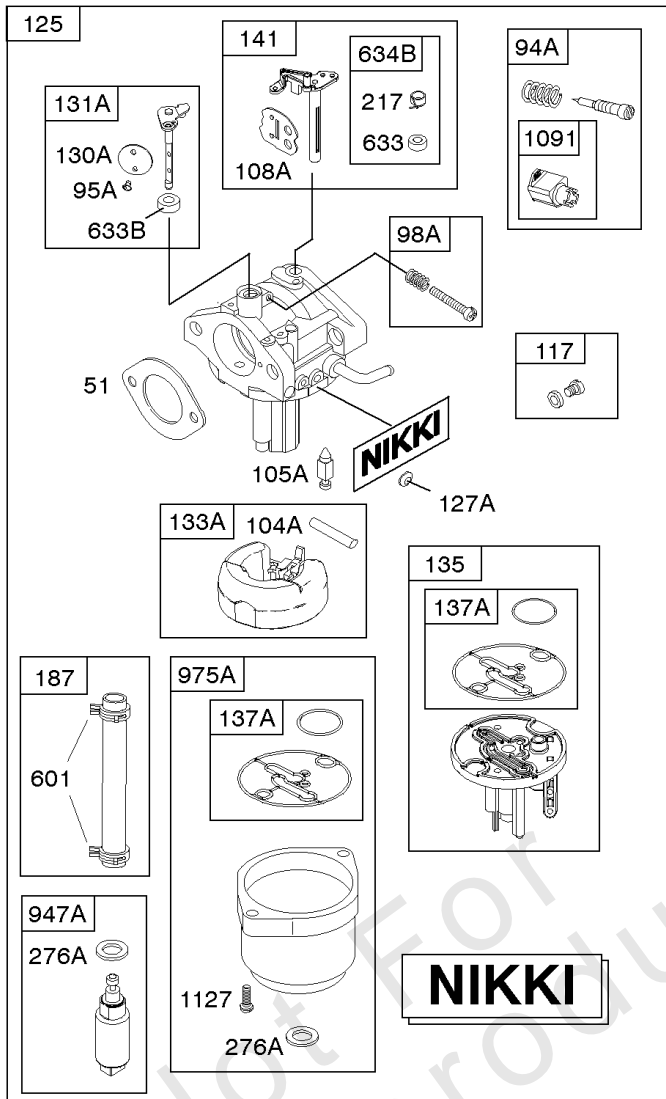
<b>REF NO</b>	<b>PART NO</b>	<b>QTY</b>	<b>DESCRIPTION</b>
1266	691917		SEAL, O-Ring -(Intake Elbow)
1266A	697123		SEAL, O-Ring -(Intake Elbow)
1270	793243		PLUG, AVS Counterweight
1319	794467		LABEL, Warning

Not For Reproduction



## CARBURETOR, FUEL SUPPLY, KIT - CARBURETOR OVERHAUL

REF NO	PART NO	QTY	DESCRIPTION
51	692137	1	GASKET-INTAKE
51A	796081	1	GASKET, Intake
94A	793610	1	KIT, Idle Mixture -(Nikki)
95A	690718	2	SCREW -(Throttle Valve) (Nikki) -Used Before Code Date 16010400
95B	593897	2	SCREW -(Throttle Valve) (Ruixing) -Used After Code Date 16010300
98A	695408	1	KIT, Idle Speed -(Nikki) -Used Before Code Date 16010400
98B	846817	1	KIT, Idle Speed -(Ruixing) -Used After Code Date 16010300
104A	694918	1	PIN, Float Hinge -(Nikki) -Used Before Code Date 16010400
104B	594860	1	PIN, Float Hinge -(Ruixing) -Used After Code Date 16010300
105A	696136	1	VALVE, Float Needle -(Nikki) -Used Before Code Date 16010400
105B	594868	1	VALVE, Float Needle -(Ruixing) -Used After Code Date 16010300
108A	698773	1	VALVE, Choke -(Nikki) -Used Before Code Date 16010400
108B	594863	1	VALVE, Choke -(Ruixing) -Used After Code Date 16010300
117	699733	1	JET, Main -(Standard) (Nikki) -Used Before Code Date 16010400
117B	595071	1	JET, Main -(Standard) (Ruixing) -Used After Code Date 16010300
118	843099	1	JET, Main -(High Altitude) (5000 Feet) -Used Before Code Date 16010400
118B	595069	1	JET, Main -(High Altitude) (5000 Feet) -Used After Code Date 16010300
121A	796184	1	KIT, Carburetor Overhaul -(Nikki) -Used Before Code Date 16010400
121B	594886	1	KIT, Carburetor Overhaul -(Ruixing) -Used After Code Date 16010300
125	591734	1	CARBURETOR -(Nikki) -Used Before Code Date 16010400
125B	594605	1	CARBURETOR -(Ruixing) -Used After Code Date 16010300
127A	690727	1	PLUG, Welch -(Nikki)
130A	792747	1	VALVE, Throttle -(Nikki) -Used Before Code Date 16010400

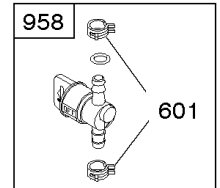
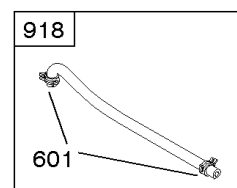
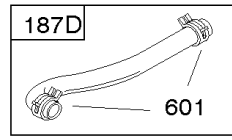
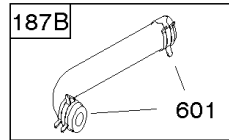
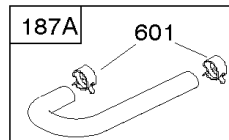
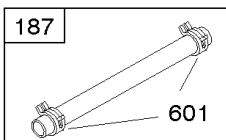
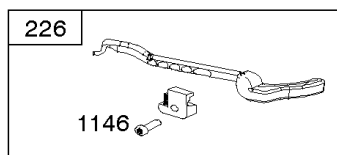
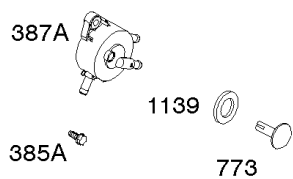
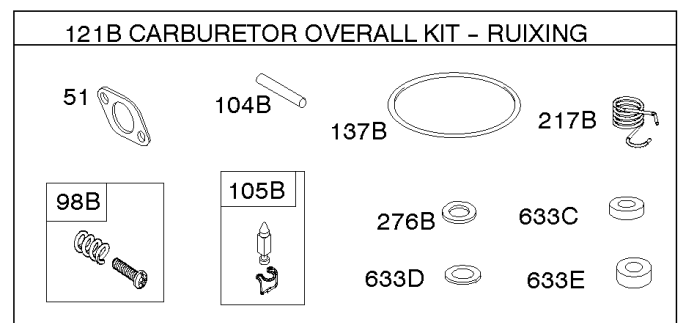
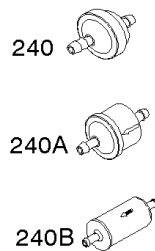
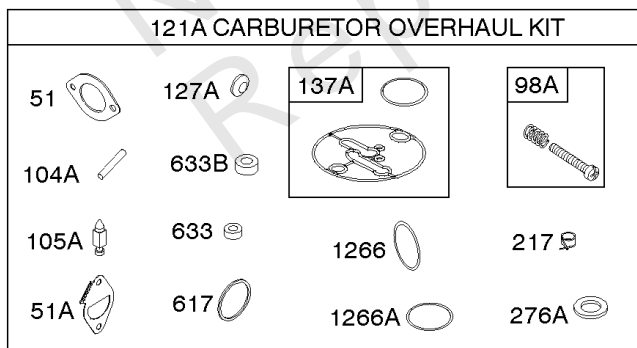
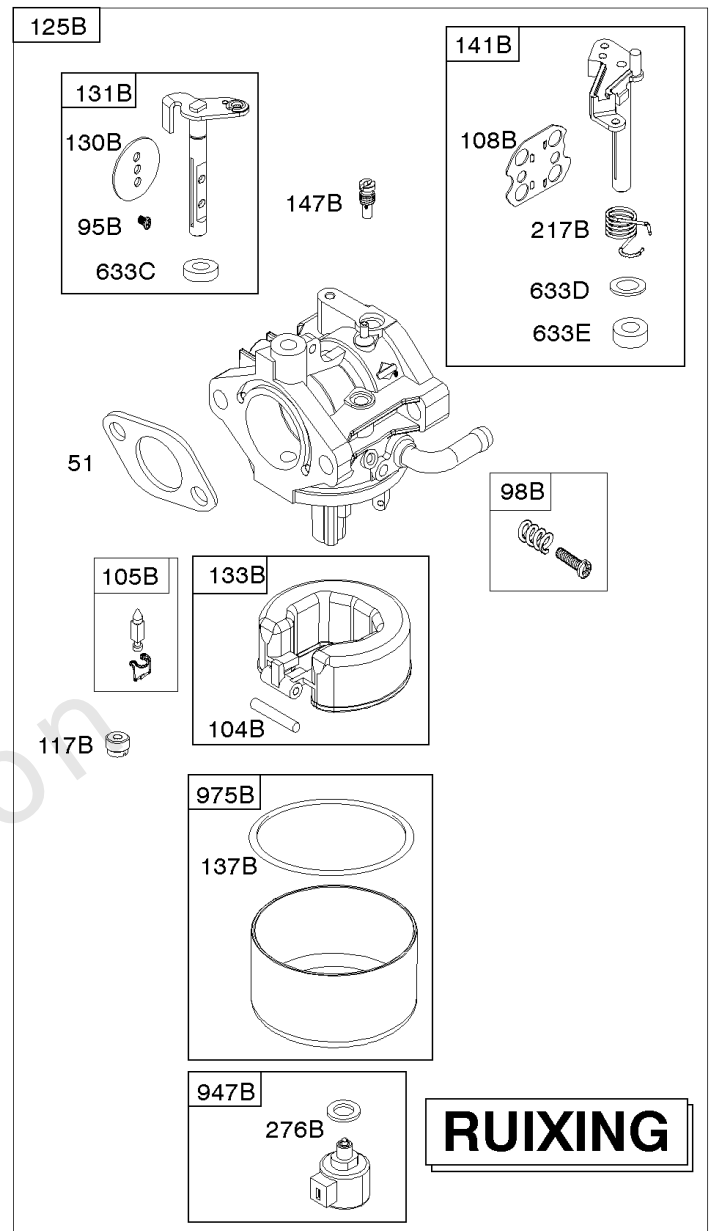
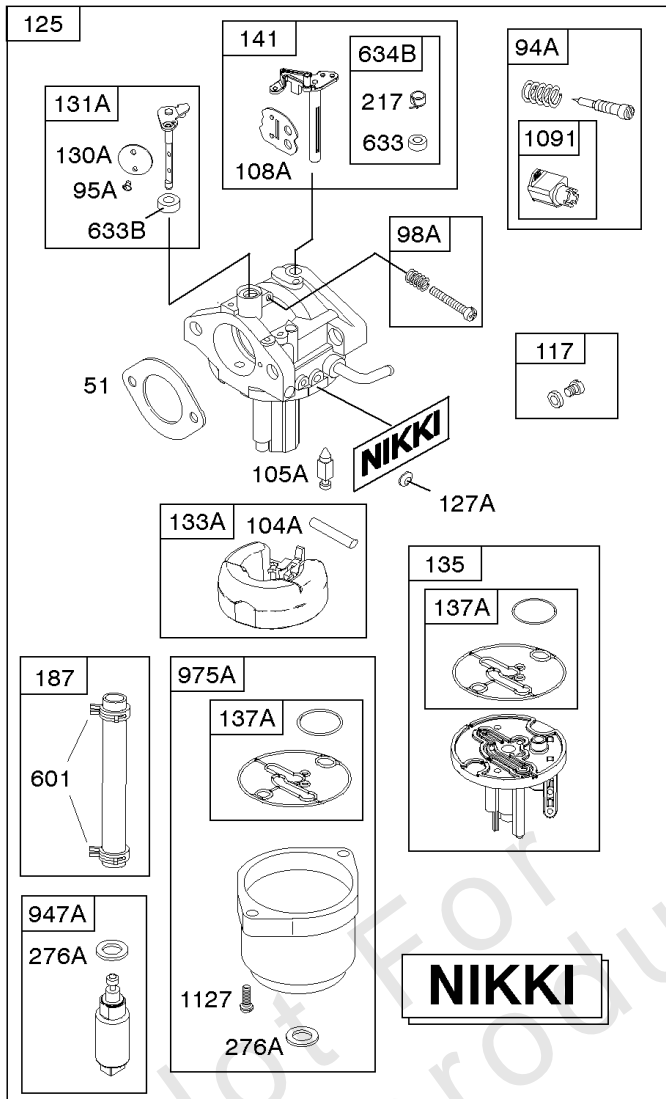


## CARBURETOR, FUEL SUPPLY, KIT - CARBURETOR OVERHAUL

REF NO	PART NO	QTY	DESCRIPTION
130B	594858	1	VALVE, Throttle -(Ruixing) -Used After Code Date 16010300
131A	792765	1	KIT, Throttle Shaft -(Nikki) -Used Before Code Date 16010400
131B	594856	1	KIT, Throttle Shaft -(Ruixing) -Used After Code Date 16010300
133A	694914	1	FLOAT, Carburetor -(Nikki) -Used Before Code Date 16010400
133B	594859	1	FLOAT, Carburetor -(Ruixing) -Used After Code Date 16010300
135	698780	1	TUBE, Fuel Transfer
137A	698781	1	GASKET, Float Bowl -(Nikki) -Used Before Code Date 16010400
137B	594861	1	GASKET, Float Bowl -(Ruixing) -Used After Code Date 16010300
141	698778	1	KIT, Choke Shaft -(Nikki) -Used Before Code Date 16010400
141B	594862	1	KIT, Choke Shaft -(Ruixing) -Used After Code Date 16010300
147B	594872	1	JET, Pilot -(Ruixing) -Used After Code Date 16010300
187	791766	1	LINE, Fuel -(Straight)(Cut To Required Length)
187A	796491	1	LINE, Fuel -(Formed)(Cut To Required Length)
187B	791805	1	LINE, Fuel -(Formed)(Cut To Required Length)
187D	791744	1	LINE, Fuel -(Formed)(Cut To Required Length)
217	695409	1	SPRING, Choke Return -(Nikki) -Used Before Code Date 16010400
217B	594864	1	SPRING, Choke Return -(Ruixing) -Used After Code Date 16010300
240	394358S	1	FILTER, Fuel -(White, 75 Microns)
240A	84001895	1	FILTER, Fuel -(Includes Paper Element With A 40 Micron Rating)
240B	695666	1	FILTER, Fuel -(Includes Paper Element With A 30 Micron Rating)
276A	695410	1	WASHER, Sealing -(Nikki) -Used Before Code Date 16010400
276B	846640	1	WASHER, Sealing -(Ruixing) -Used After Code Date 16010300
385A	690297	2	SCREW -(Regulator) (Fuel Pump)
387A	808656	1	PUMP, Fuel
601	791850	2	CLAMP, Hose
617	692138	1	SEAL, O-Ring -(Intake Manifold)

# CARBURETOR, FUEL SUPPLY, KIT - CARBURETOR OVERHAUL

Mfg. No: 31R907-0007-G1

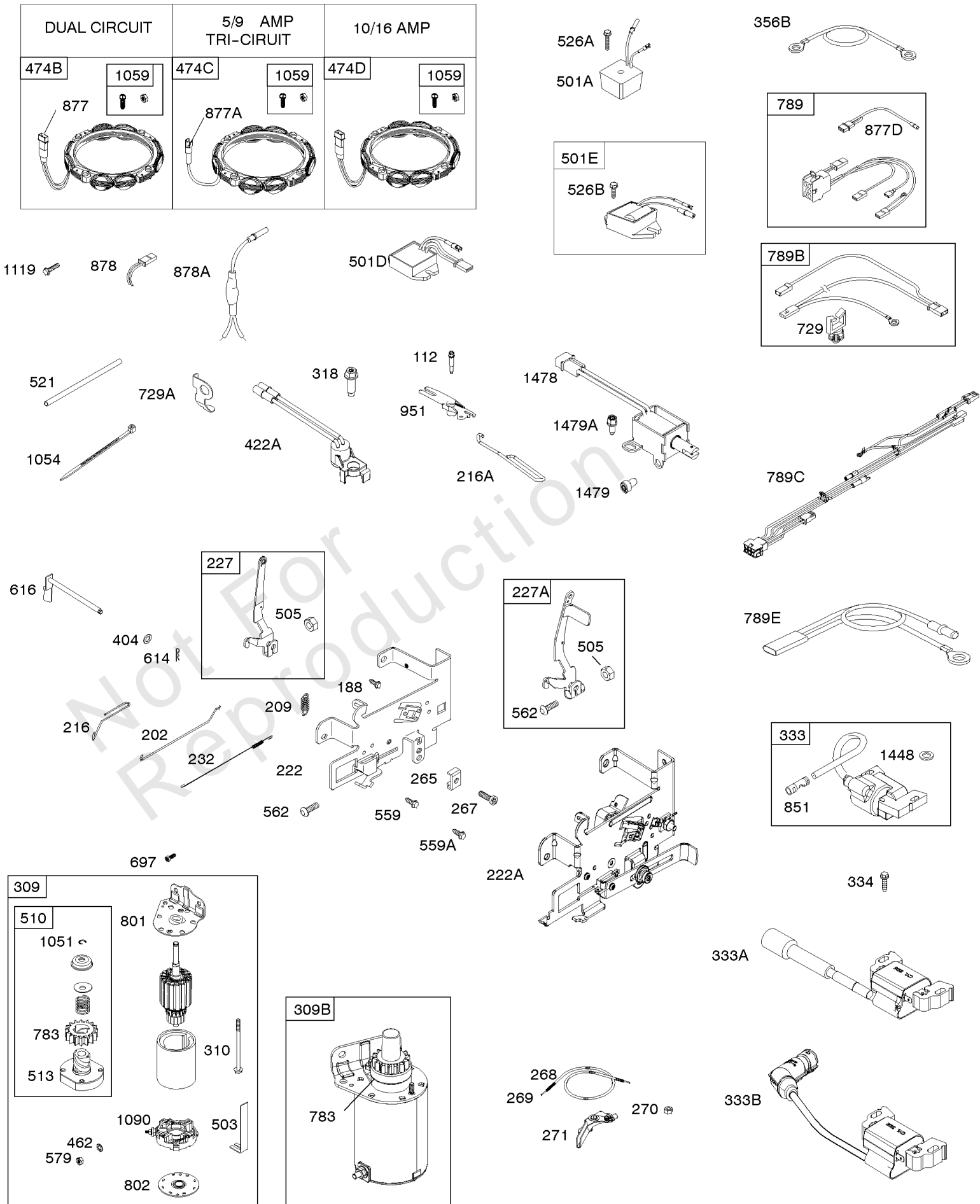


## CARBURETOR, FUEL SUPPLY, KIT - CARBURETOR OVERHAUL

REF NO	PART NO	QTY	DESCRIPTION
633	699813	1	SEAL, Choke/Throttle Shaft -(Nikki) -Used Before Code Date 16010400
633B	690998	1	SEAL, Choke/Throttle Shaft -(Nikki) -Used Before Code Date 16010400
633C	594866	1	SEAL, Choke/Throttle Shaft -(Ruixing) -Used After Code Date 16010300
633D	594865	1	SEAL, Choke/Throttle Shaft -(Ruixing) -Used After Code Date 16010300
633E	797629	1	SEAL, Choke/Throttle Shaft -(Ruixing) -Used After Code Date 16010300
634B	698779	1	SPRING/SEAL ASSEMBLY -(Nikki)
773	796448	2	RETAINER
918	791851	1	HOSE, Vacuum -(Fuel Pump)
947A	699915	1	SOLENOID, Fuel -(Nikki) -Used Before Code Date 16010400
947B	846639	1	SOLENOID, Fuel -(Ruixing) -Used After Code Date 16010300
958	698183	1	VALVE, Fuel Shut Off
975A	699502	1	BOWL, Float -(Nikki) -Used Before Code Date 16010400
975B	594867	1	BOWL, Float -(Ruixing) -Used After Code Date 16010300
1091	691333	1	CAP, Limiter
1127	695407	1	SCREW -(Float Bowl) (Float Bowl to Carburetor Body)
1139	796449	2	WASHER -(Fuel Pump Bracket)
1146	793380	1	SCREW -(Choke Shaft)
1266	691917	1	SEAL, O-Ring -(Intake Elbow)
1266A	697123	1	SEAL, O-Ring -(Intake Elbow)

# CONTROLS, ALTERNATOR, WIRE ASSY, ELECTRIC STARTER, GOVERNOR SPRING,

Mfg. No: 31R907-0007-G1

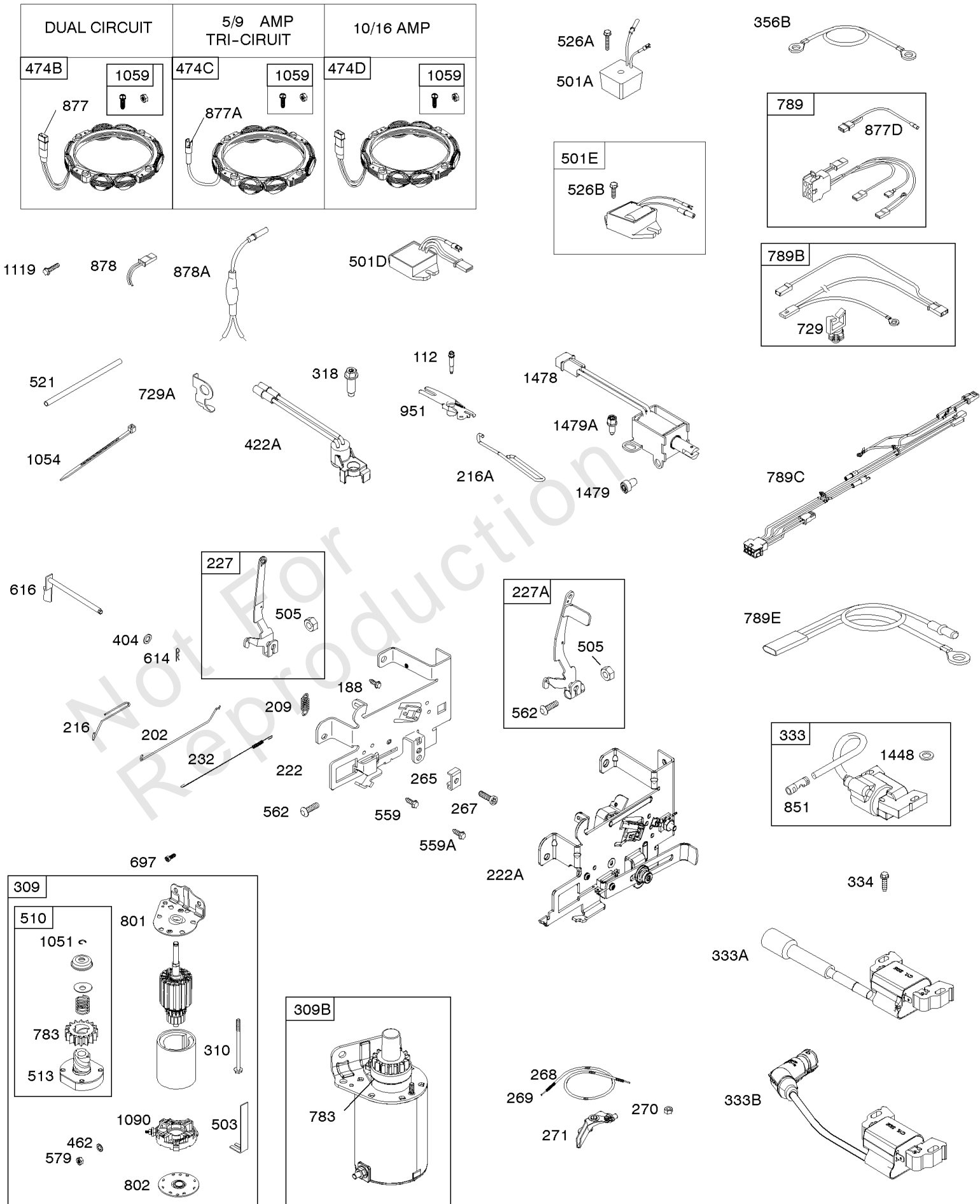


## **CONTROLS, ALTERNATOR, WIRE ASSY, ELECTRIC STARTER, GOVERNOR SPRING,**

<b>REF NO</b>	<b>PART NO</b>	<b>QTY</b>	<b>DESCRIPTION</b>
112	593040		SCREW -(Choke Lever)
188	691693		SCREW -(Control Bracket)
202	691841		LINK, Mechanical Governor
209	792813		SPRING, Governor
216	691840		LINK, Choke
216A	593043		LINK, Choke
222	694042		BRACKET, Control
227	691374		LEVER, Governor Control
232	691842		SPRING, Governor Link
265	691024		CLAMP, Casing
267	794904		SCREW -(Casing Clamp)
268	691025		CASING, Control Wire -(Cut To Required Length)
269	691026		WIRE, Control -(Cut To Required Length)
270	691027		NUT -(Control Wire Casing)
271	691028		LEVER, Control
309	593934		MOTOR, Starter
310	690323		SCREW -(Starter Motor) (#10-24x4.4" Long)
318	594384		SCREW -(Mounting Bracket)
333	799650		ARMATURE, Magneto -Used Before Code Date 16081000
333A	594626		ARMATURE, Magneto -Used After Code Date 16080900 -Used Before Code Date 16100100
333B	595304		ARMATURE, Magneto -(EMC Compliant) -Used After Code Date 16093000
334	691061		SCREW -(Magneto Armature)
356B	697089		WIRE, Stop
404	691691		WASHER -(Governor Crank)
422A	593056		SWITCH, Snap
462	691261		WASHER -(Starter Cable)
474C	592829		ALTERNATOR -(5 or 9 Amp. Tri Circuit, Regulated)
501A	794360		REGULATOR -(5/9 Amp.)
503	691532		STRAP, Starter
505	691251		NUT -(Governor Control Lever)
510	693699		DRIVE, Starter
513	692024		CLUTCH, Drive
521	690581		SHIELD, Cable
526A	697088		SCREW -(Regulator)
526B	697348		SCREW -(Regulator)
559	697561		SCREW -(Remote Choke Stop) (Length .375 Inches)

# CONTROLS, ALTERNATOR, WIRE ASSY, ELECTRIC STARTER, GOVERNOR SPRING,

Mfg. No: 31R907-0007-G1

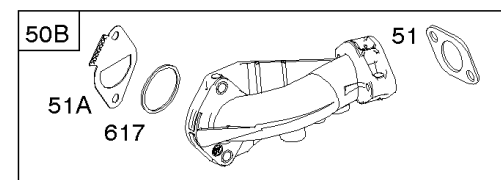
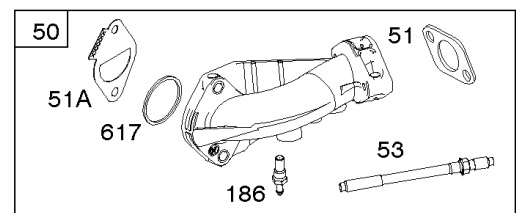
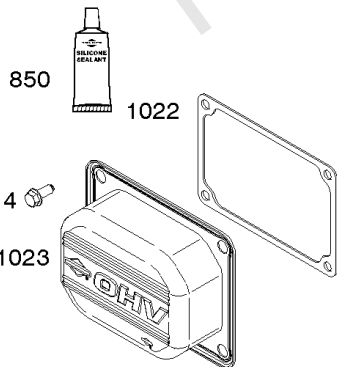
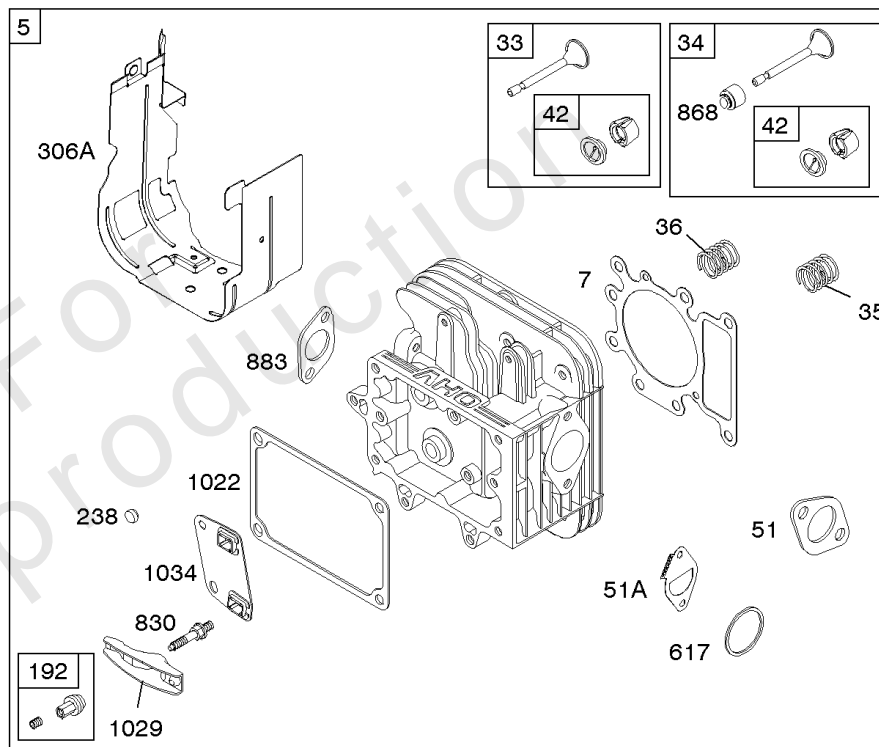
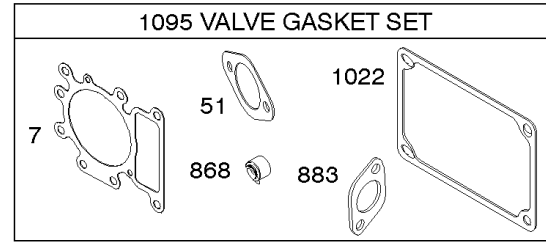
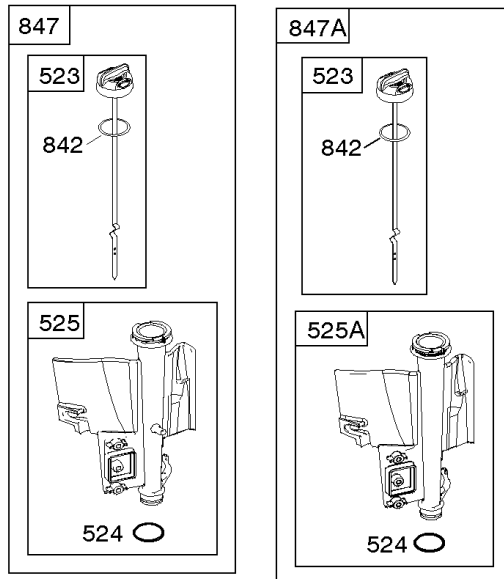
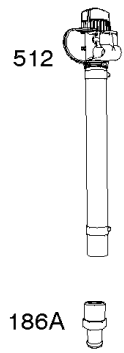


**CONTROLS, ALTERNATOR, WIRE ASSY, ELECTRIC STARTER, GOVERNOR SPRING,**

REF NO	PART NO	QTY	DESCRIPTION
559A	693675		SCREW -(Remote Choke Stop) (Length .419 Inches)
562	691119		BOLT -(Governor Control Lever)
579	-----		NUT -(Starter Cable)
614	691620		PIN, Cotter
616	692012		CRANK, Governor
697	791680		SCREW -(Starter Motor) (Drive Cap)
729	691335		CLIP, Wire -(Wire Saddle)
729A	691224		CLIP, Wire -(Aluminum Coated Steel)
783	593935		GEAR, Pinion
789B	692037		HARNESS-WIRING
801	691283		CAP, Drive
802	691286		CAP, End
851	692424		TERMINAL, Spark Plug
877	393456		WIRE/CONNECTOR, Alternator -(Dual Circuit)
877A	393814		WIRE/CONNECTOR, Alternator -(10 Amp Regulated)
878	398661		HARNESS, Wiring -(Dual Circuit)
878A	691955		HARNESS, Alternator -(Tri Circuit)
951	593039		LEVER, Choke
1051	691265		RING, Retaining
1054	280275		TIE, Cable
1059	698516		KIT, Screw/Washer
1090	691293		RETAINER, Brush
1119	691183		SCREW -(Alternator)
1448	690260		WASHER -(Magneto Armature)
1478	593037		SOLENOID, Choke
1479	593041		SCREW -(Choke Solenoid)
1479A	593042		SCREW -(Choke Solenoid)

# CYLINDER HEAD, INTAKE MANIFOLD, OIL FILL, VALVES

Mfg. No: 31R907-0007-G1

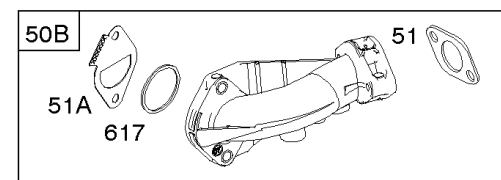
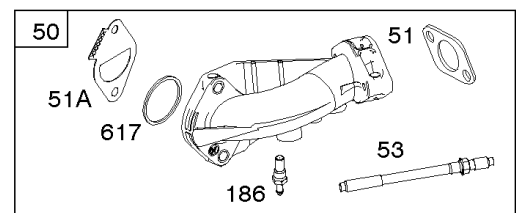
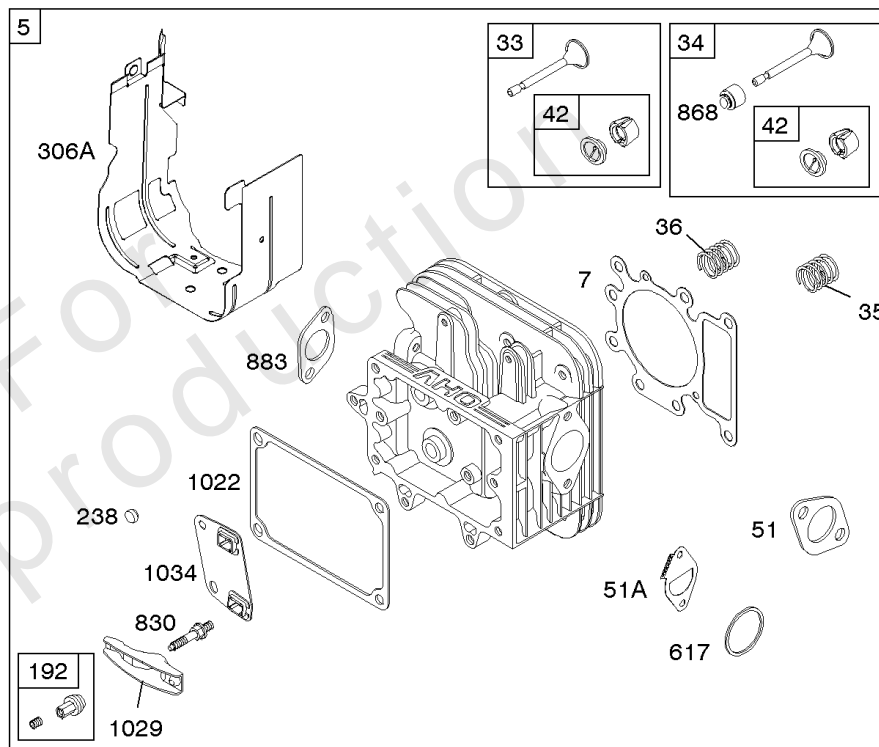
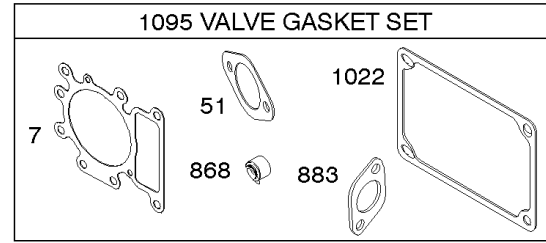
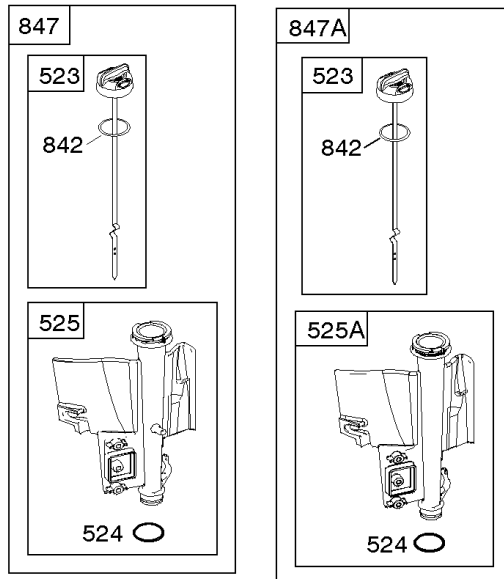
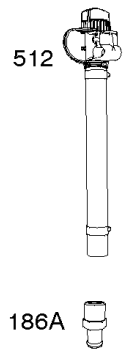


## CYLINDER HEAD, INTAKE MANIFOLD, OIL FILL, VALVES

REF NO	PART NO	QTY	DESCRIPTION
5	796026		HEAD-CYLINDER
7	796584		GASKET, Cylinder Head
13	592244		SCREW -(Cylinder Head) (5/16-18 x 2.69)
33	792868		VALVE, Exhaust
34	791935		VALVE, Intake
35	691279		SPRING, Valve -(Intake)
36	691279		SPRING, Valve -(Exhaust)
42	499586		KEEPER, Valve
45	690564		TAPPET, Valve
50	591248		MANIFOLD, Intake
51	692137		GASKET-INTAKE
51A	796081		GASKET, Intake
53	591260		STUD -(Carburetor)
54	691148		SCREW -(Intake Manifold)
186	794873		CONNECTOR, Hose
186A	796532		CONNECTOR, Hose
192	691986		ADJUSTER, Rocker Arm
238	691843		CAP, Valve
306A	794953		SHIELD, Cylinder
307	691693		SCREW -(Cylinder Shield)
337	691043		PLUG, Spark -(EMS)
383	19576S		WRENCH, Spark Plug -(5/8 & 13/16, 8" Long)
415	794903		PLUG -(Engine Sump)
512	594200		HOSE, Oil Drain
523	699908		DIPSTICK
524	691032		SEAL, O-Ring
525	697085		TUBE, Dipstick
525A	697184		TUBE, Dipstick -(Standard Dipstick Tube)
617	692138		SEAL, O-Ring -(Intake Manifold)
635	691909		BOOT, Spark Plug
654	690958		NUT -(Carburetor)
830	691095		STUD, Rocker Arm
842	691031		SEAL, O-Ring -(Dipstick Tube) (Special Dipstick Tube)
847	790443		DIPSTICK/TUBE ASSEMBLY
847A	790442		DIPSTICK/TUBE ASSEMBLY -(Standard Dipstick Tube)
850	100106		SEALANT, Liquid -(Rocker Cover Gasket and Breather Gasket)
868	690968		SEAL, Valve
883	692236		GASKET, Exhaust
914	691108		SCREW -(Rocker Cover)
1022	272475S		GASKET, Rocker Cover -(Use Liquid Sealant Reference 850)

# CYLINDER HEAD, INTAKE MANIFOLD, OIL FILL, VALVES

Mfg. No: 31R907-0007-G1



## CYLINDER HEAD, INTAKE MANIFOLD, OIL FILL, VALVES

REF NO	PART NO	QTY	DESCRIPTION
1023	797421		COVER-ROCKER
1026	692003		ROD, Push -(Intake)
1026	692011		ROD, Push -(Exhaust)
1029	691751		ARM, Rocker
1034	690822		GUIDE, Push Rod
1095	794152		GASKET SET, Valve

Not For Reproduction

## Replacement Engine - US & Canada

REF NO	PART NO	QTY	DESCRIPTION
	592059	1	Replacement Short Block
	31R9070007	1	Replacement Engine
	-----		Short Block Note: Engines Built Prior to 07/12/2012 should use short block 697761. Engines built on or after 07/12/2012 should use short block 592059.

Not For Reproduction

