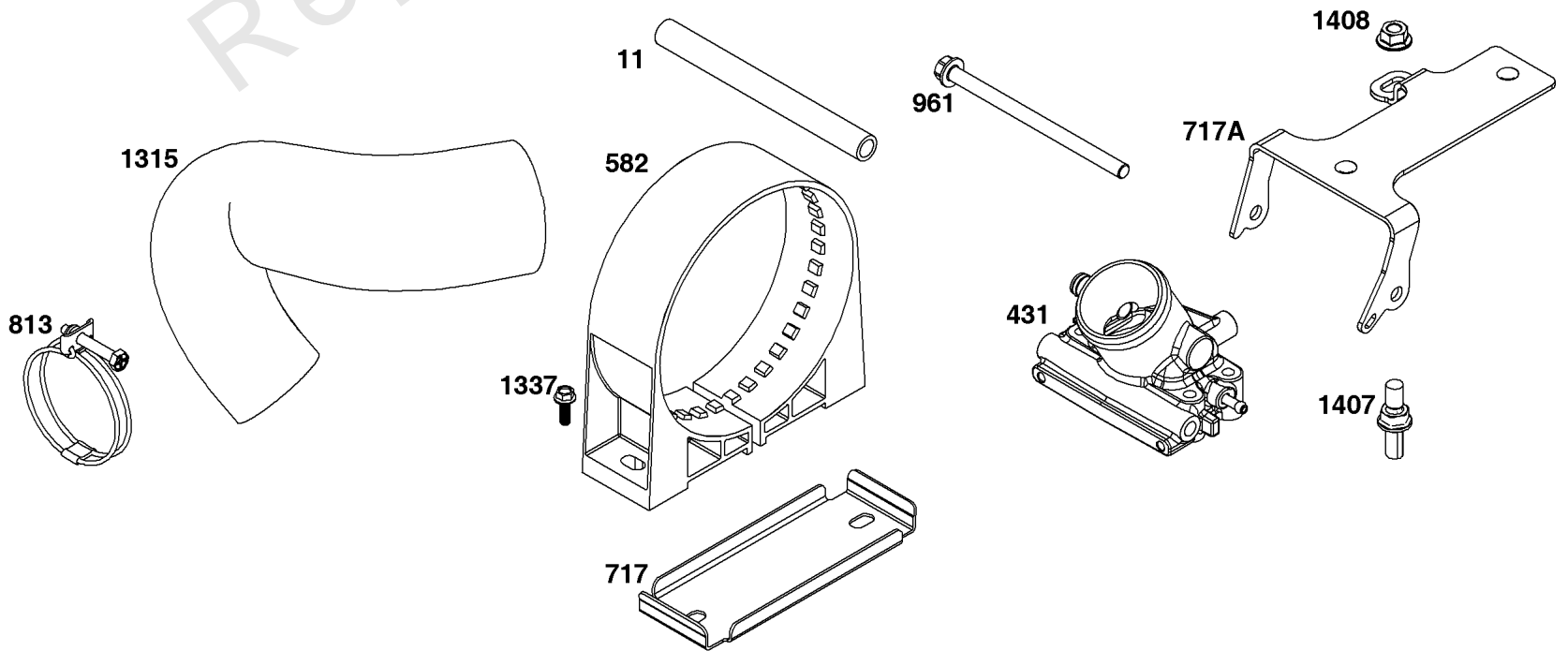
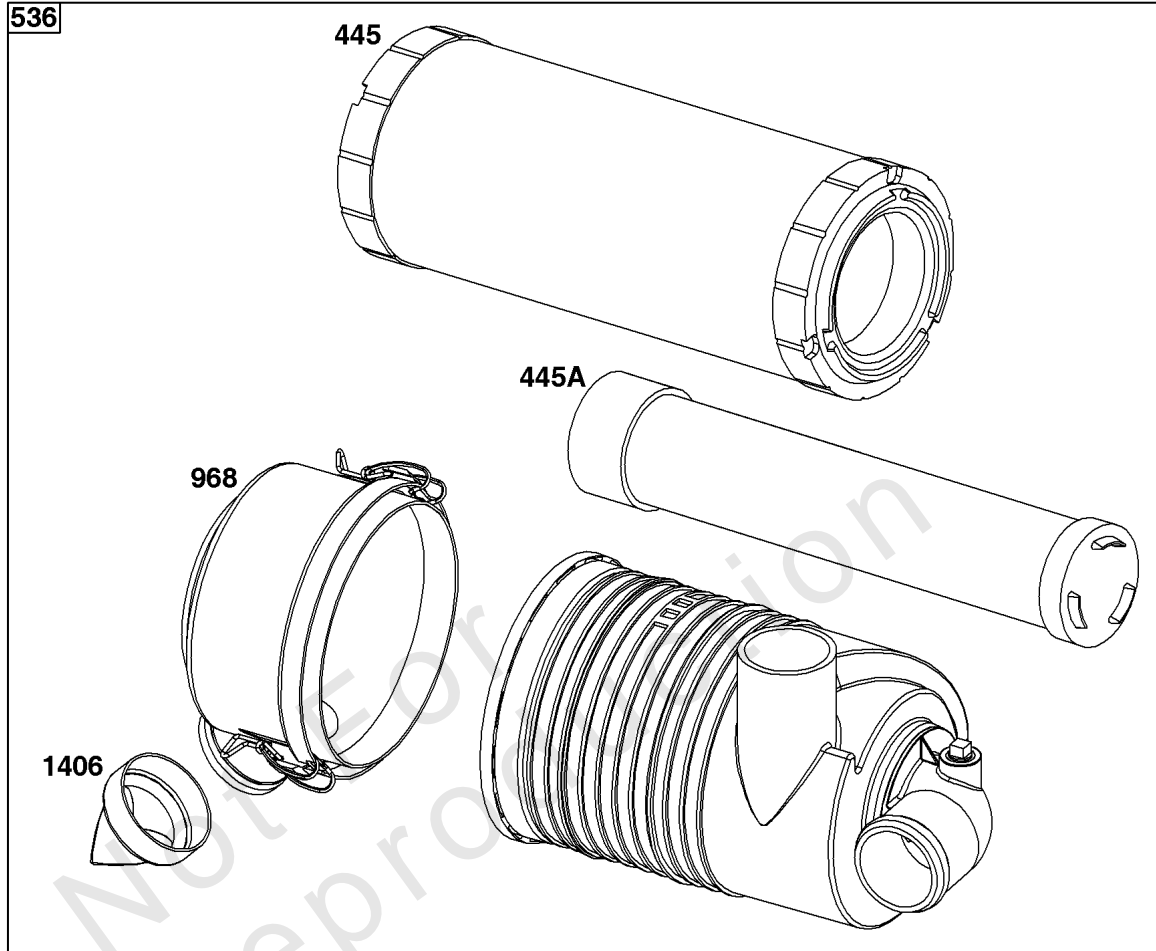
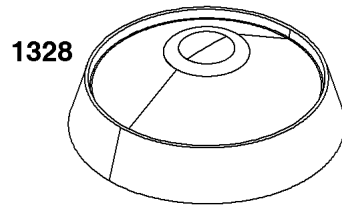




Parts Manual

Mfg. No: 543777-3222-J1

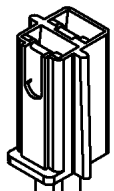
Model Components	Page
Air Cleaner Group.....	4
Alternator Group.....	6
Blower Housing Group.....	8
Carburetor and Fuel Supply Group.....	10
Controls Group.....	14
Crankcase Cover/Sump and Lubrication Group.....	16
Crankshaft Group.....	18
Cylinder Group.....	20
Cylinder Head Group.....	24
Flywheel, Ignition, and Starter Group.....	26
Replacement Engine - US & Canada.....	28
Model 54-61 Engine Accessories Catalog.....	29
Maintenance Kits.....	30
Lubrication.....	32
Oil Filter Side Outlet Mufflers.....	34
Center Outlet Mufflers.....	36
Starter Side Outlet Mufflers.....	38
Muffler Bracket Kits.....	40
Speed Control.....	42
Electrical.....	44
Stub Shafts.....	46
Spark Arrester/Deflector.....	48
Air Intake.....	50
Guarding.....	52
Electronic Throttle Kit.....	54



Air Cleaner Group

REF NO	PART NO	QTY	DESCRIPTION
11	842541	1	TUBE, Breather
431	845862	1	MANIFOLD, Intake
445	841497	1	FILTER, A/C Cartridge
445A	821136	1	FILTER, A/C Cartridge
536	809670	1	CLEANER, Air
582	809878	1	CLAMP, Air Cleaner
717	842529	1	BRACKET, Air Cleaner
717A	841886	1	BRACKET, Air Cleaner
813	593625	2	CLAMP
961	846829	1	SCREW -(Air Cleaner Bracket)
968	842621	1	COVER, Air Cleaner
1315	809905	1	HOSE, Air Cleaner
1328	809907	1	CAP, A/C Rain
1337	807382	2	SCREW -(Air Cleaner Clamp)
1406	842623	1	VALVE, Debris
1407	842531	1	STUD -(Air Cleaner Bracket)
1408	690941	2	NUT -(Air Cleaner Bracket)

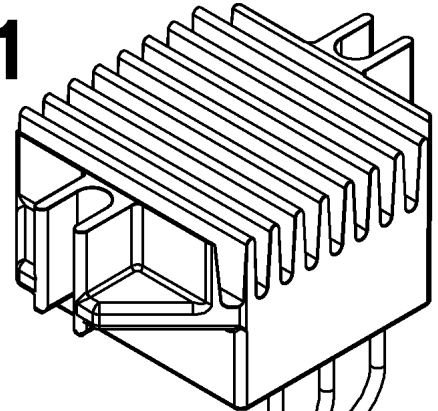
474



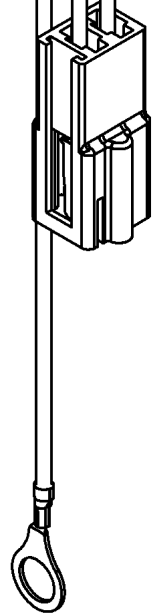
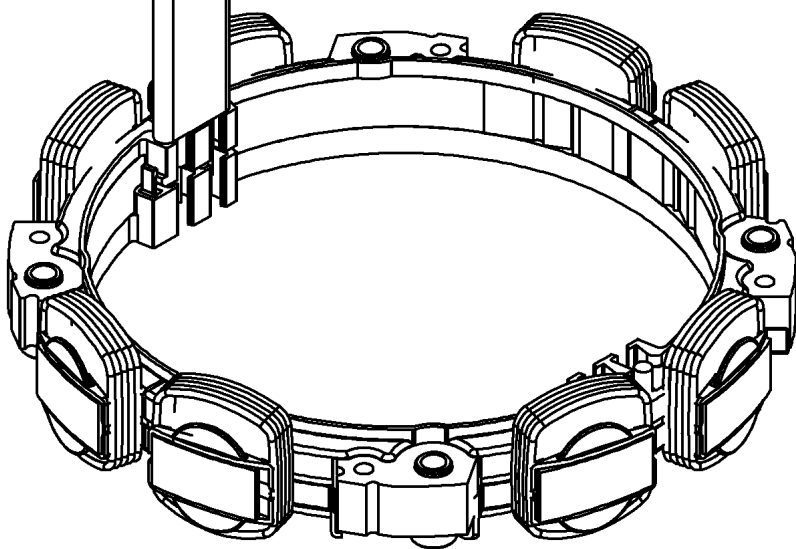
526



501



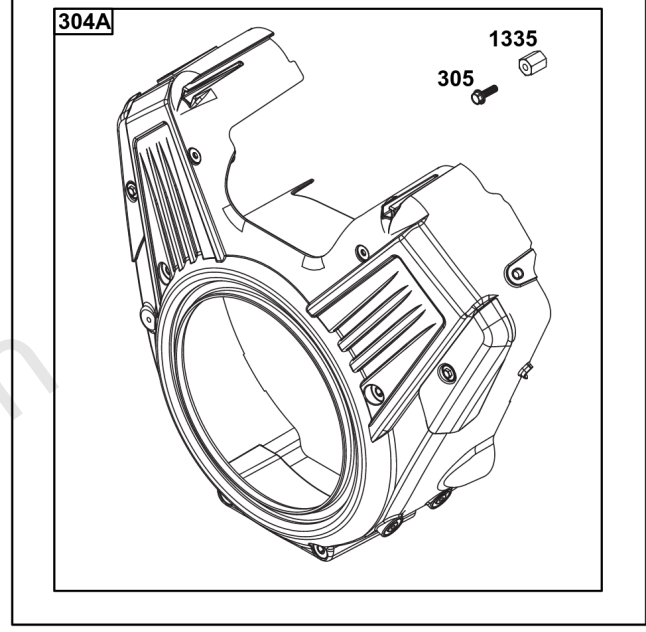
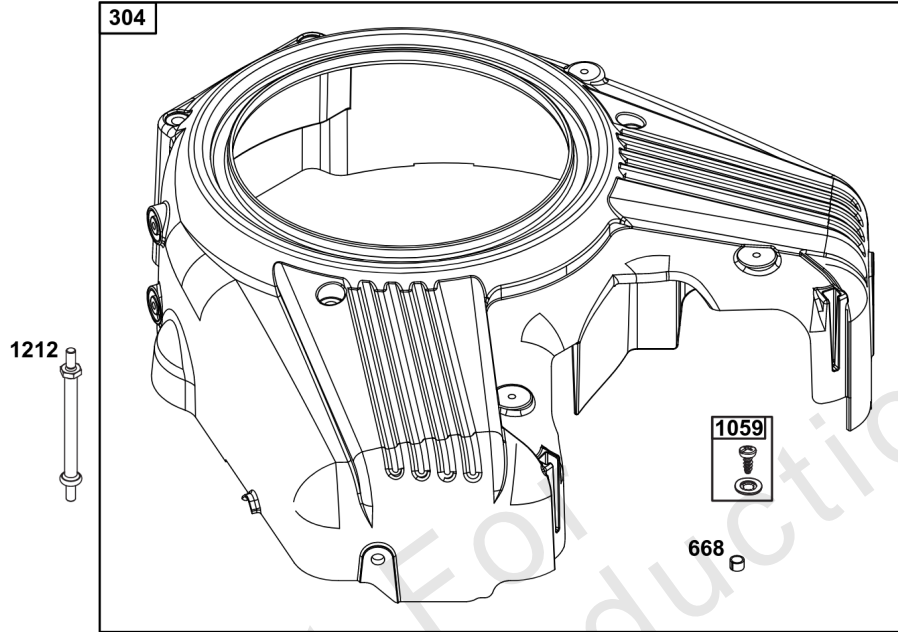
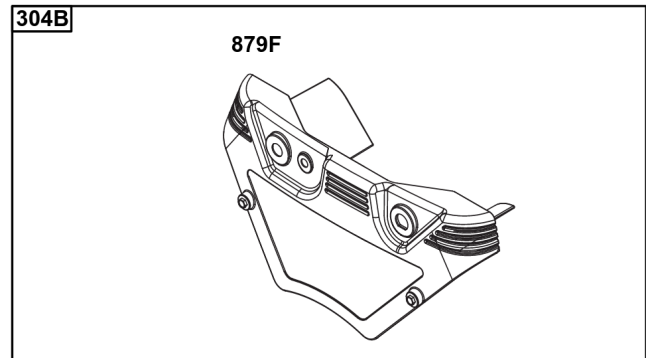
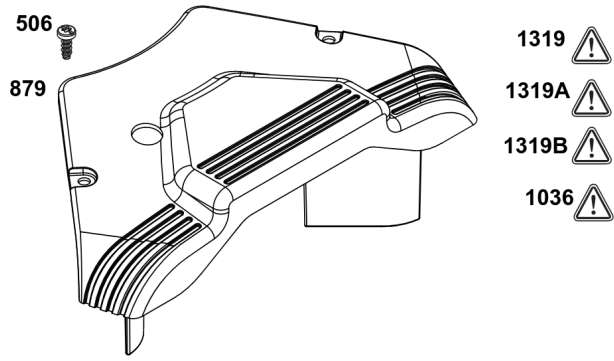
1119



Alternator Group

REF NO	PART NO	QTY	DESCRIPTION
474	846882	1	ALTERNATOR
501	847385	1	REGULATOR
526	690717	2	SCREW -(Regulator)
1119	691552	4	SCREW -(Alternator)

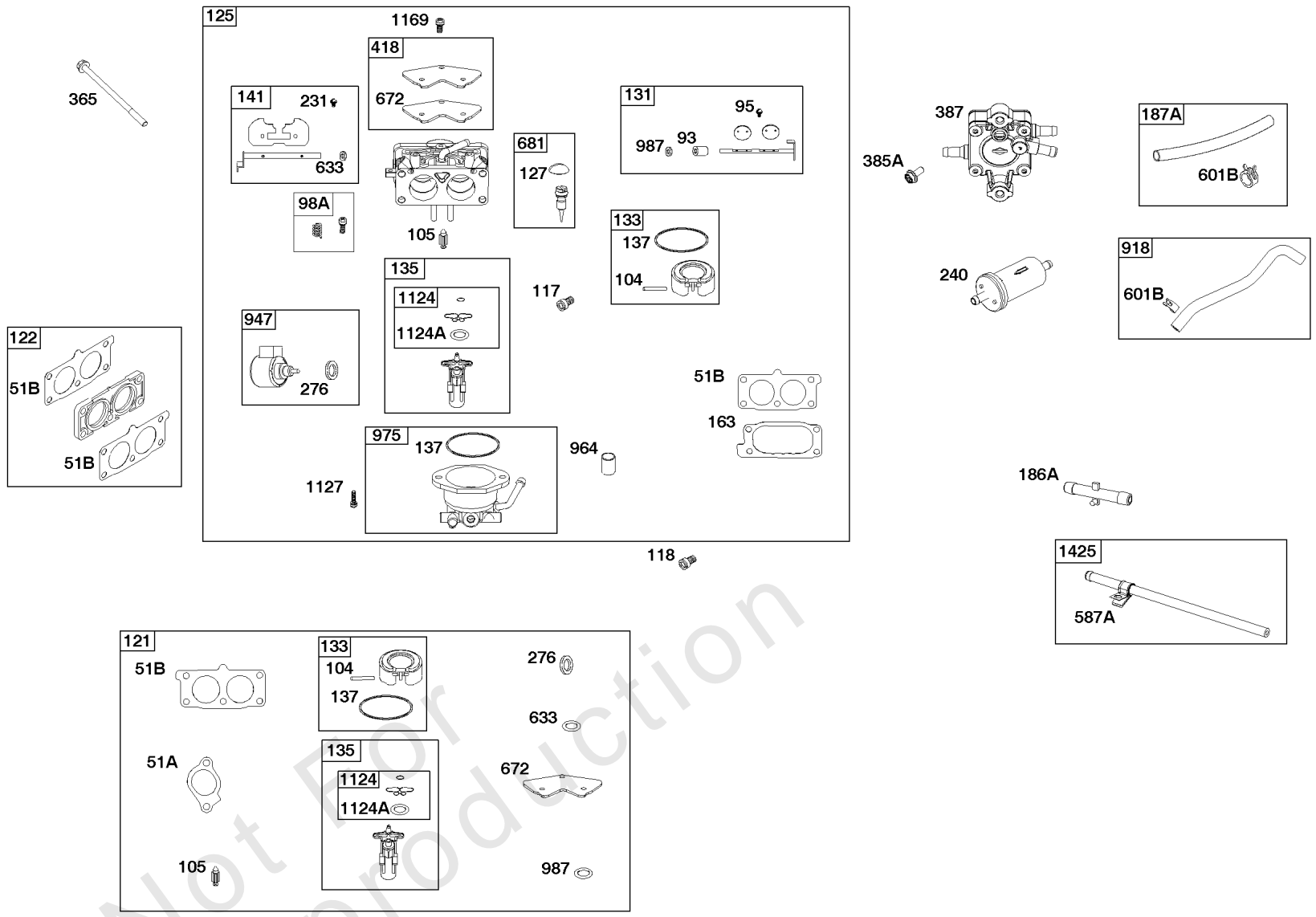
Not For Reproduction



Not For
Reproduction

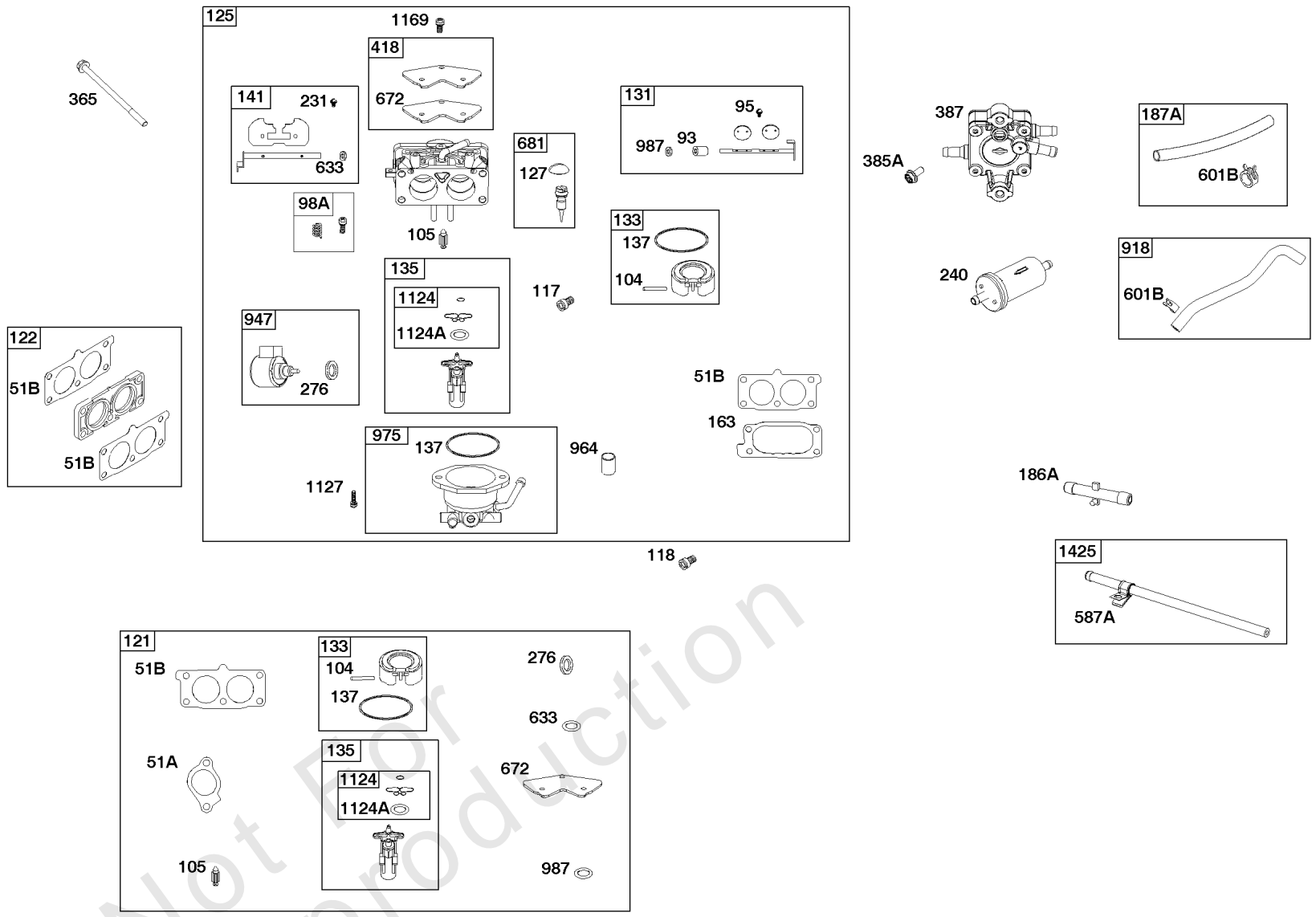
Blower Housing Group

REF NO	PART NO	QTY	DESCRIPTION
304	846964	1	HOUSING, Blower -Used Before Code Date 23122100 (No Longer Available) (See Reference 304B for Service)
304A	84011458	1	HOUSING, Blower -Used After Code Date 23122000
304B	84013459	1	KIT, Blower Housing
305	807435	1	SCREW -(Blower Housing)
506	846250	2	SCREW -(Carburetor/EFI Cover)
668	841974	1	SPACER
879	842526	1	COVER, Carburetor/EFI -Used Before Code Date 23122100 (No Longer Available) (See Reference 304B for Service)
879F	84011181		COVER, CARBURETOR/EFI -Used After Code Date 23122000
1036	-----	1	LABEL, Emissions -(Available from a Briggs & Stratton Authorized Dealer)
1059	845300	2	KIT, Screw/Washer
1212	809958	4	STUD -(Blower Housing)
1319	794467	1	LABEL, Warning -(REQUIRED When Replacing Parts With Warning Labels Affixed)
1319A	797669	1	LABEL, Warning -(REQUIRED When Replacing Parts With Warning Labels Affixed)
1319B	278911GS	1	LABEL, Warning -(REQUIRED When Replacing Parts With Warning Labels Affixed)
1335	841537	4	NUT -(Blower Housing)



Carburetor and Fuel Supply Group

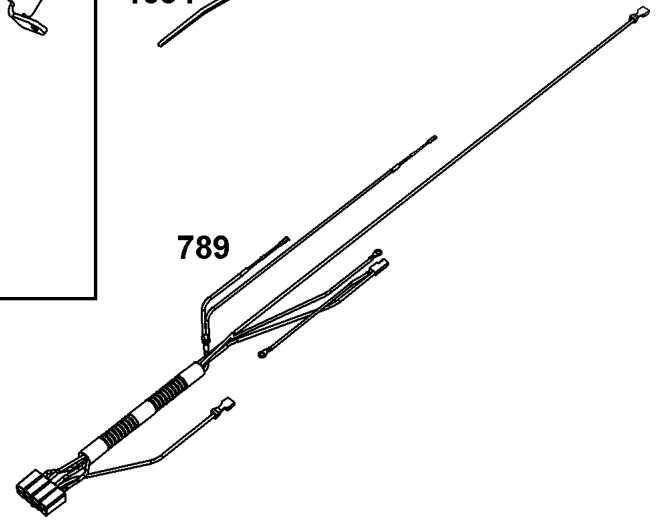
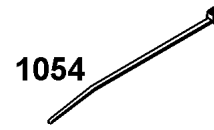
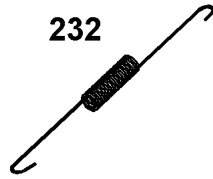
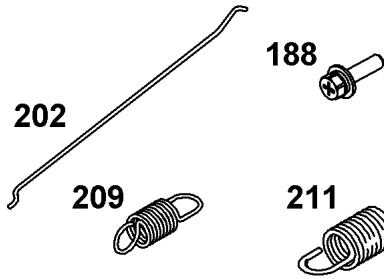
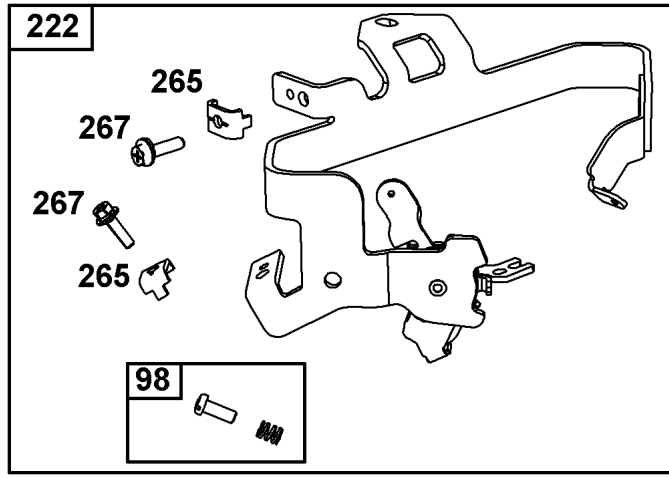
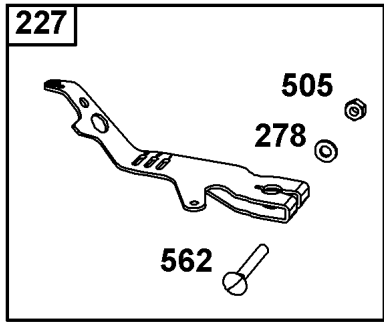
REF NO	PART NO	QTY	DESCRIPTION
51A	-----	2	GASKET, Intake -(Part information located in Cylinder Head Group.)
51B	-----	2	GASKET, Intake -(Part information located in Cylinder Head Group.)
93	845864	1	BUSHING, Throttle Shaft
95	690718	4	SCREW -(Throttle Valve)
98A	808177	1	KIT, Idle Speed
104	690882	1	PIN, Float Hinge
105	696136	1	VALVE, Float Needle
117	791501	1	JET, Main -(Standard) (Left Jet)
117	796251	1	JET, Main -(Standard) (Right Jet)
118	843099	1	JET, Main -(High Altitude) (Left Jet)
118	699457	1	JET, Main -(High Altitude) (Right Jet)
121	842697	1	KIT, Carburetor Overhaul -(Service Kits may include extra parts not specific to this engine.)
122	846245	1	SPACER, Carburetor
125	845275	1	CARBURETOR
127	844590	2	PLUG, Welch
131	842694	1	KIT, Throttle Shaft
133	841545	1	FLOAT, Carburetor
135	842677	1	TUBE, Fuel Transfer
137	841651	1	GASKET, Float Bowl
141	844876	1	KIT, Choke Shaft
163	807375	1	GASKET, Air Cleaner
186A	845121	1	CONNECTOR, Hose
187A	791766	1	LINE, Fuel
231	690718	2	SCREW -(Choke Valve)
240	845125	1	FILTER, Fuel
276	695410	1	WASHER, Sealing
365	841853	4	SCREW -(Carburetor/Throttle Body)
385A	807084	2	SCREW -(Fuel Pump)
387	84003048	1	PUMP, Fuel
418	844844	1	PLATE, Carburetor Cover
587A	807116	1	CLAMP, Tube
601B	691038	4	CLAMP, Hose
633	690722	1	SEAL, Choke/Throttle Shaft
672	842696	1	GASKET, Carburetor Plate
681	845290	2	KIT, Needle Valve
918	844526	2	HOSE, Vacuum
947	841546	1	SOLENOID, Fuel
964	807468	1	CAP, Carburetor
975	843551	1	BOWL, Float
987	808183	1	SEAL, Choke/Throttle Shaft
1124	842678	1	SEAL, O-Ring -(Fuel Transfer Tube)
1124A	841653	1	SEAL, O-Ring -(Fuel Transfer Tube)



Carburetor and Fuel Supply Group

REF NO	PART NO	QTY	DESCRIPTION
1127	841621	2	SCREW -(Float Bowl to Carburetor Body)
1169	690990	3	SCREW -(Carburetor Cover Plate)
1425	844712	1	HOSE, Purge Line

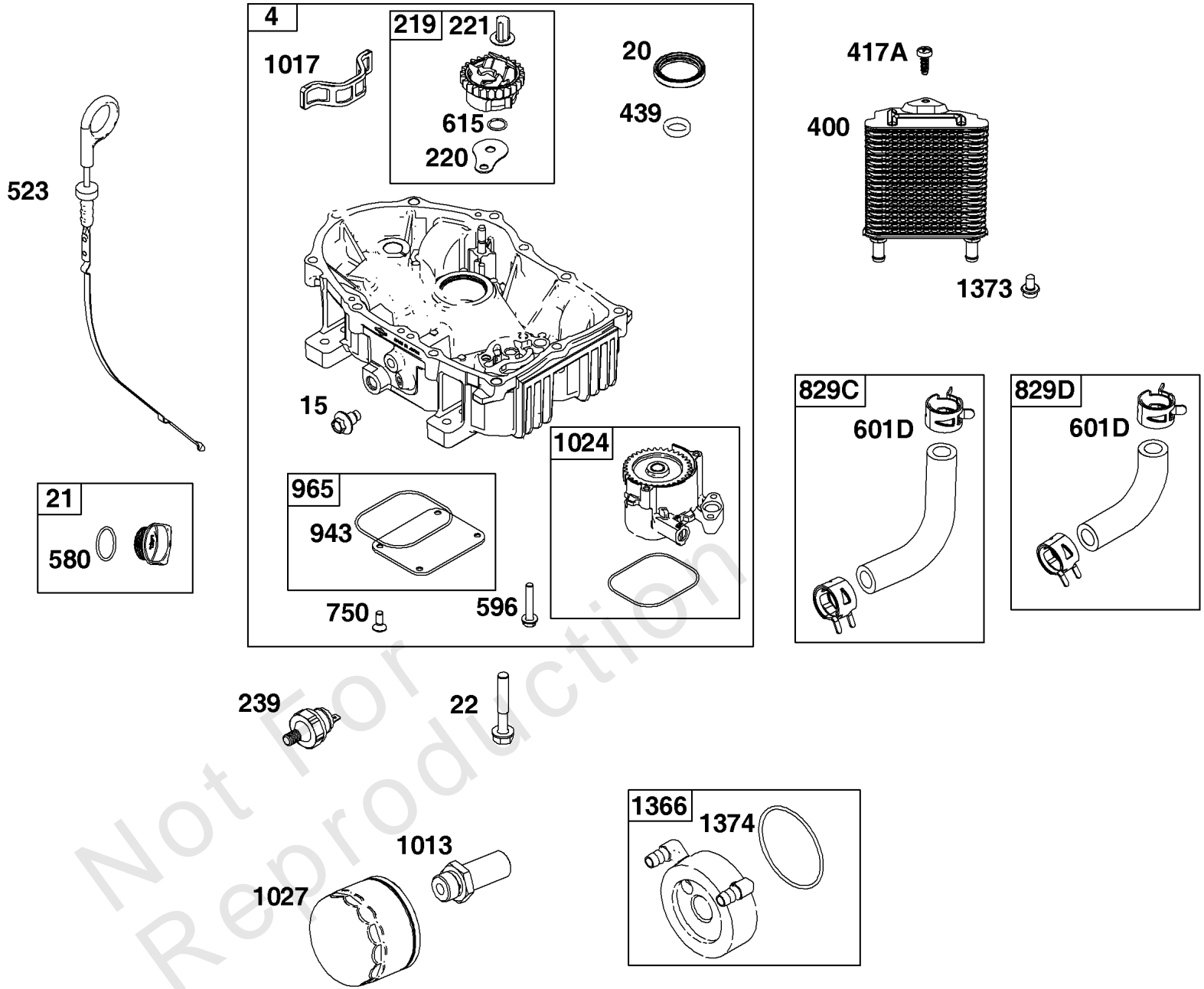
Not For Reproduction



Not For
Reproduction

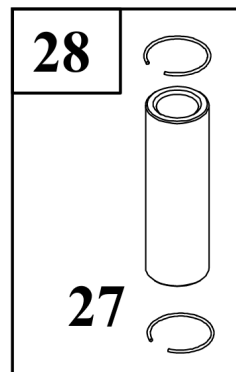
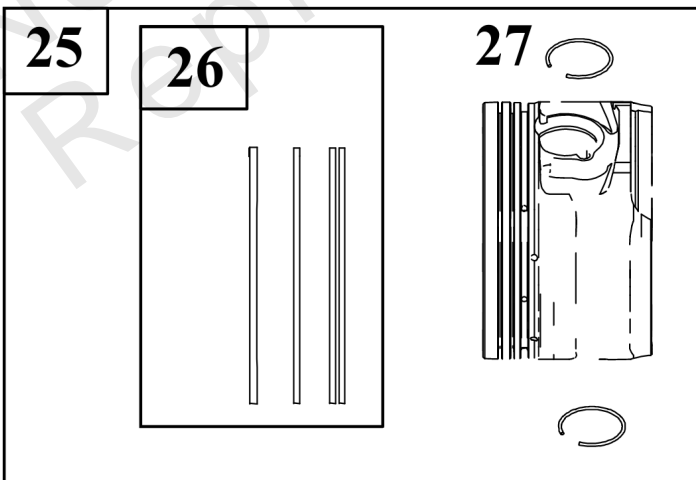
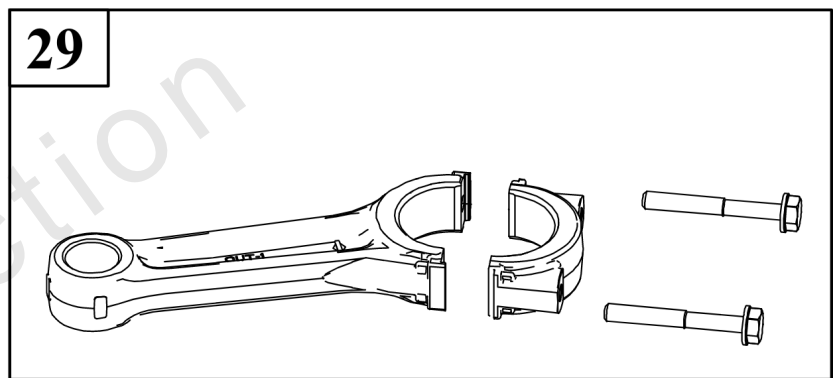
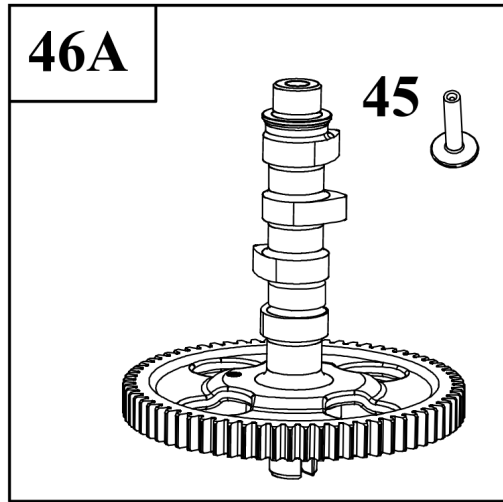
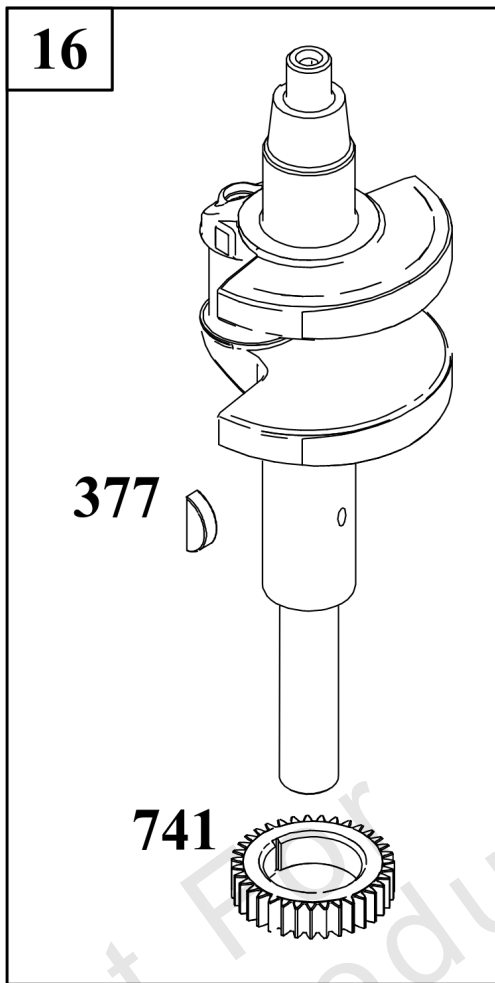
Controls Group

REF NO	PART NO	QTY	DESCRIPTION
98	843550	1	KIT, Idle Speed
188	807084	3	SCREW -(Control Bracket)
202	842533	1	LINK, Mechanical Governor
209	841684	1	SPRING, Governor
211	809875	1	SPRING, Governed Idle
222	842615	1	BRACKET, Control
227	842534	1	LEVER, Governor Control
232	843248	1	SPRING/LINK, Governor
265	691024	2	CLAMP, Casing
267	841552	2	SCREW -(Casing Clamp)
278	842122	1	WASHER -(Governor Control Lever)
344	841233	1	SCREW -(Cable Clamp)
505	690238	1	NUT -(Governor Control Lever)
562	843344	1	BOLT -(Governor Control Lever)
587	846866	1	CLAMP, Cable
789	847060	1	HARNESS, Wiring
1054	280275	3	TIE, Cable



Crankcase Cover/Sump and Lubrication Group

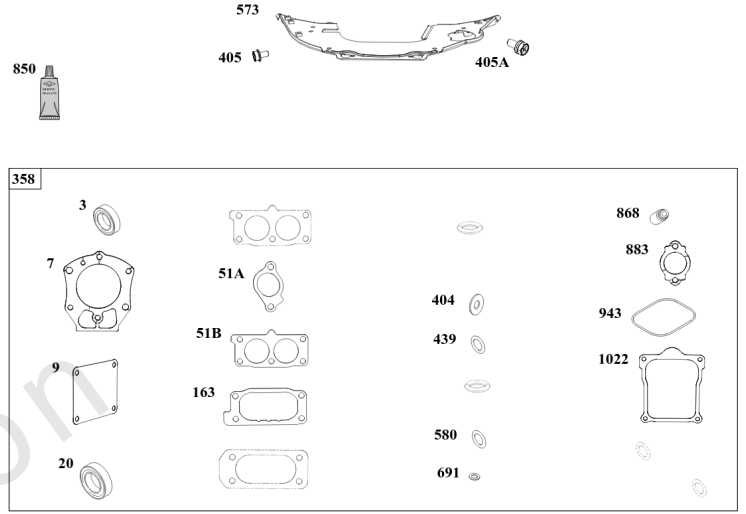
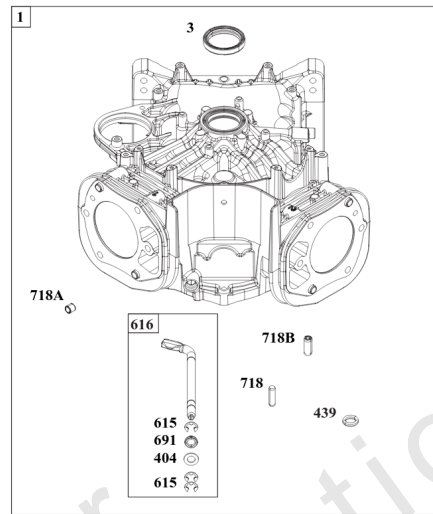
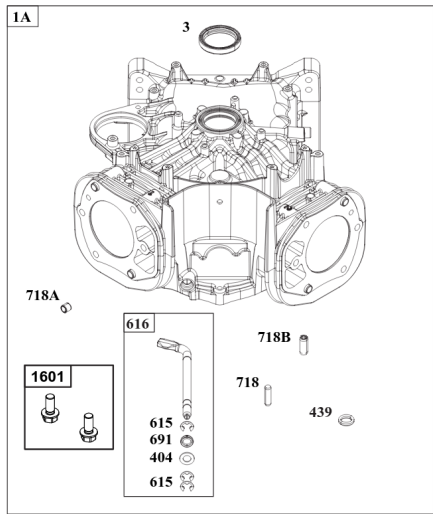
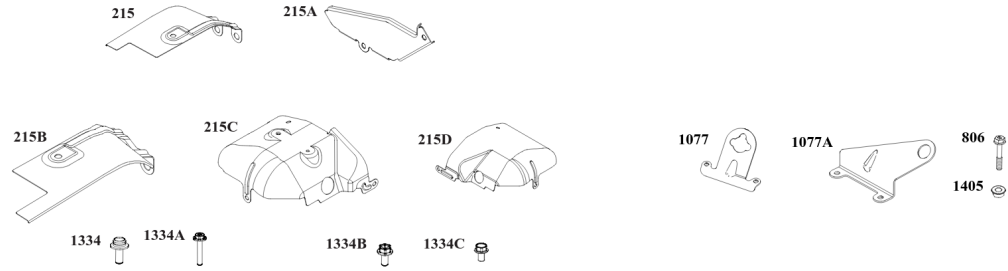
REF NO	PART NO	QTY	DESCRIPTION
4	848358	1	SUMP, Engine
15	807392	2	PLUG, Oil Drain
20	841596	1	SEAL, Oil -(PTO Side)
21	843464	1	CAP, Oil Fill
22	690676	11	SCREW -(Crankcase Cover/Sump)
219	809426	1	GEAR, Governor
220	841608	1	WASHER -(Governor Gear)
221	841026	1	CUP, Governor
239	841281	1	SWITCH, Oil Pressure
400	846249	1	COOLER, Oil
417A	846250	1	SCREW -(Oil Cooler)
439	692154	2	O-RING, Oil Gallery -(Crankcase Cover/Sump or Cylinder Assembly)
523	842542	1	DIPSTICK
580	809894	1	SEAL, O-Ring -(Oil Fill Cap)
596	807385	3	SCREW -(Oil Pump)
601D	845209	4	CLAMP, Hose
615	698290	1	RETAINER, Governor Shaft
750	842537	4	SCREW -(Oil Pump Cover)
829C	846260	1	HOSE, Oil Cooler
829D	846259	1	HOSE, Oil Cooler
943	842538	1	SEAL, O-Ring -(Oil Pump Cover)
965	842536	1	COVER, Oil Pump
1013	841602	1	NIPPLE, Oil Filter
1017	842535	1	SCREEN, Oil Pump
1024	846026	1	PUMP, Oil
1027	842921	1	FILTER, Oil
1366	841510	1	DIVERTER, Oil Cooler
1373	841233	2	SCREW -(Oil Cooler Bracket)
1374	796863	1	SEAL, O-Ring -(Oil Cooler Diverter)



Crankshaft Group

REF NO	PART NO	QTY	DESCRIPTION
16	848303	1	CRANKSHAFT
24	796335	1	KEY, Flywheel
25	809790	2	PISTON ASSEMBLY -(Standard)
25	841931	2	PISTON ASSEMBLY -(.020" Oversize)
26	809972	2	SET, Ring -(Standard)
27	807351	4	LOCK, Piston Pin
28	807361	2	PIN, Piston
29	809275	2	ROD, Connecting
45	-----	4	TAPPET, Valve -(Part information located in Cylinder Head Group.)
46A	847381	1	CAMSHAFT
377	691639	1	KEY, Woodruff
741	809432	1	GEAR, Timing

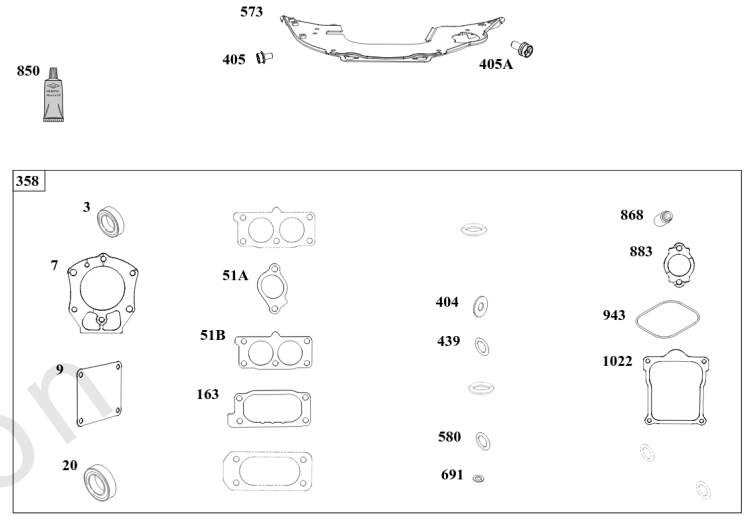
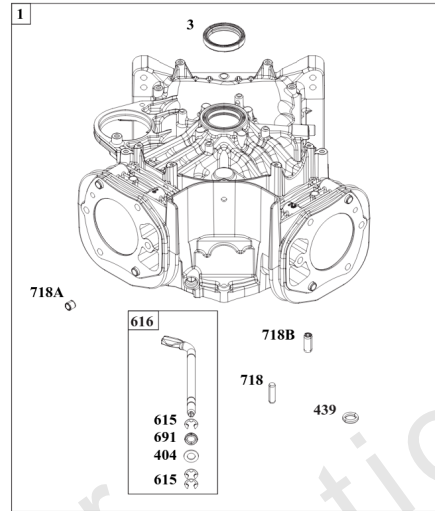
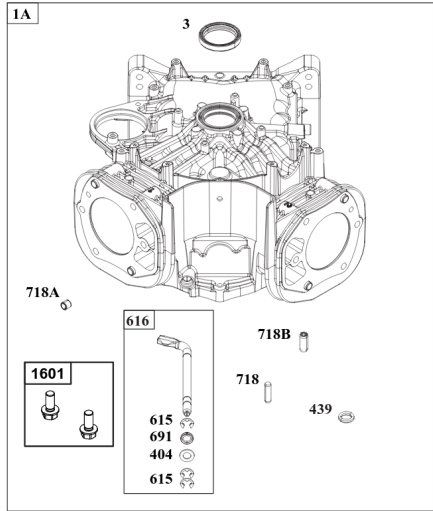
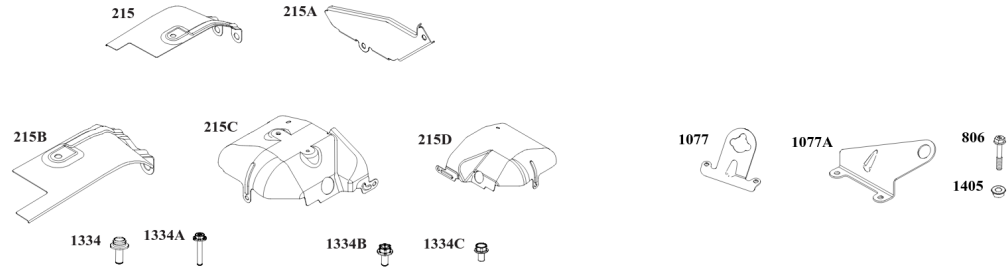
Not For Reproduction



Not For
Reproduction

Cylinder Group

REF NO	PART NO	QTY	DESCRIPTION
1	848372	1	CYLINDER ASSEMBLY
1A	84013603	1	CYLINDER ASSEMBLY
3	841596	1	SEAL, Oil -(Magneto Side)
7	-----	2	GASKET, Cylinder Head -(Part information located in Cylinder Head Group.)
9	-----	1	GASKET, Breather -(Part information located in Cylinder Head Group.)
20	-----	1	SEAL, Oil -(Part information located in Crankcase Cover/Sump and Lubrication Group.)
51A	-----	2	GASKET, Intake -(Part information located in Cylinder Head Group.)
51B	-----	2	GASKET, Intake -(Part information located in Cylinder Head Group.)
163	-----	1	GASKET, Air Cleaner -(Part information located in Carburetor Group.)
215	809728	1	GUIDE, Air
215A	809739	1	GUIDE, Air
215B	809737	1	GUIDE, Air
215C	809738	1	GUIDE, Air
215D	809897	1	GUIDE, Air
358	841122	1	GASKET SET, Engine -(Service Kits may include extra parts not specific to this engine.)
404	809436	1	WASHER -(Governor Crank)
405	841233	3	SCREW -(Back Plate)
405A	841735	1	SCREW -(Back Plate)
439	-----	2	O-RING, Oil Gallery -(Part information located in Crankcase Cover/Sump and Lubrication Group.)
573	846840	1	PLATE, Back
580	-----	1	SEAL, O-Ring -(Part information located in Crankcase Cover/Sump and Lubrication Group.)
615	809533	3	RETAINER, Governor Shaft
616	844180	1	CRANK, Governor
691	809287	1	SEAL, Governor Shaft
718	690959	2	PIN, Locating
718A	809508	4	PIN, Locating
718B	845925	1	PIN, Locating
806	807357	8	SCREW -(Lifting Bracket)
850	100106	1	SEALANT, Liquid
868	-----	4	SEAL, Valve -(Part information located in Cylinder Head Group.)
883	-----	2	GASKET, Exhaust -(Part information located in Cylinder Head Group.)
943	842538	1	SEAL, O-Ring -(Part information located in Crankcase Cover/Sump and Lubrication Group.)
1022	-----	2	GASKET, Rocker Cover -(Part information located in Cylinder Head Group.)
1077	809729	1	BRACKET, Lifting
1077A	842616	1	BRACKET, Lifting
1334	690677	2	SCREW -(Air Guide)
1334A	692062	4	SCREW -(Air Guide)



Not For
Reproduction

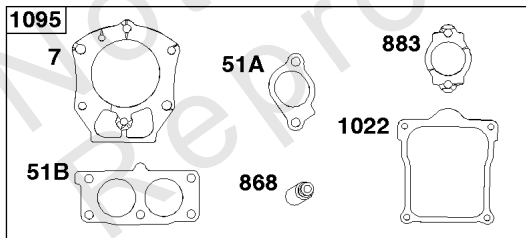
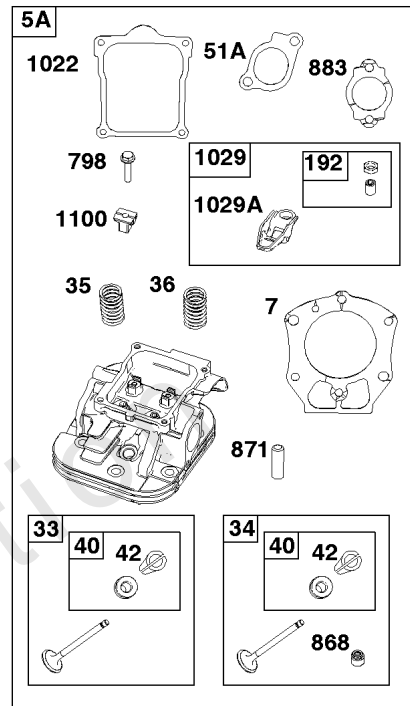
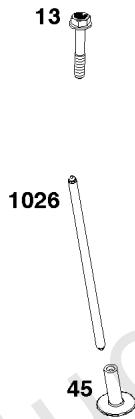
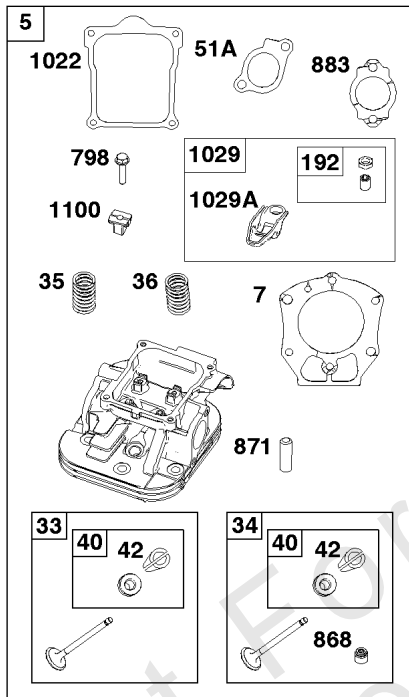
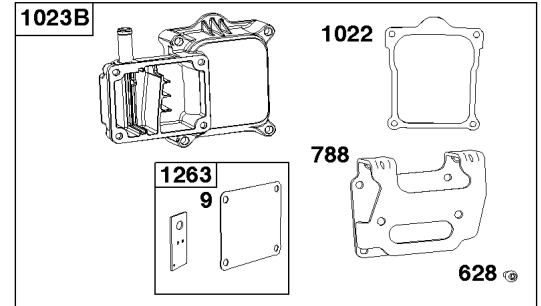
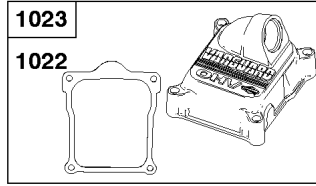
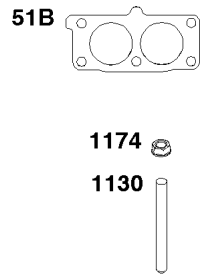
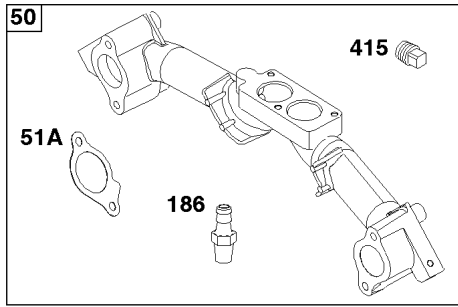
Cylinder Group

REF NO	PART NO	QTY	DESCRIPTION
1334B	807435	2	SCREW -(Air Guide)
1334C	841233	4	SCREW -(Air Guide)
1405	690941	2	NUT -(Lifting Bracket)
1601	84013604	1	KIT, Hardware -"Only For Use With Reference 1A"

Not For Reproduction

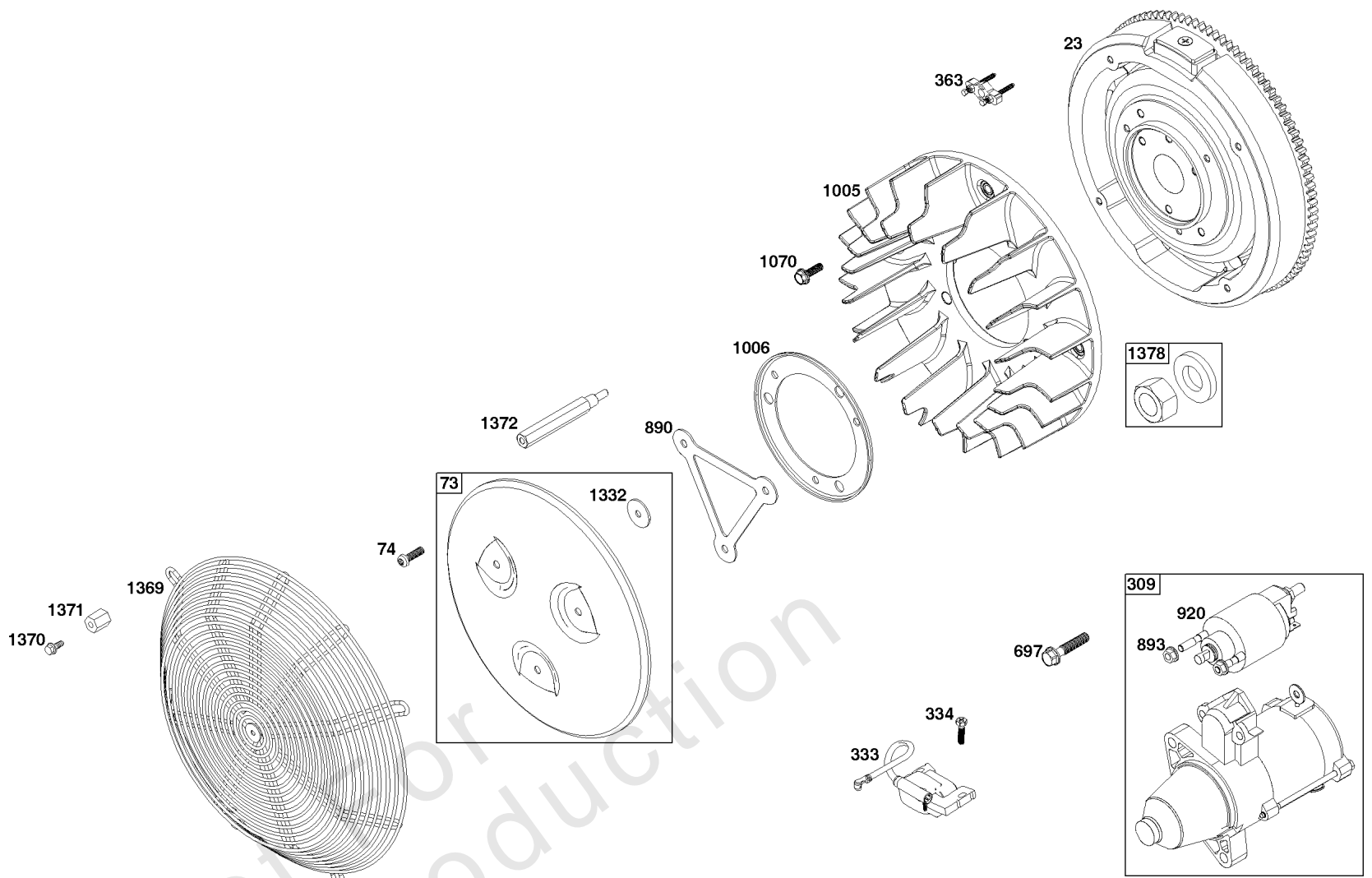
Cylinder Head Group

Mfg. No: 543777-3222-J1



Cylinder Head Group

REF NO	PART NO	QTY	DESCRIPTION
5	848344	1	HEAD, Cylinder
5A	848345	1	HEAD, Cylinder
7	809730	2	GASKET, Cylinder Head
9	842545	1	GASKET, Breather
13	809784	12	SCREW -(Cylinder Head)
33	844787	2	VALVE, Exhaust
34	843730	2	VALVE, Intake
35	845589	2	SPRING, Valve -(Intake)
36	845589	2	SPRING, Valve -(Exhaust)
40	844788	4	RETAINER, Valve
42	807683	8	KEEPER, Valve
45	809785	4	TAPPET, Valve
50	844341	1	MANIFOLD, Intake
51A	847671	2	GASKET, Intake
51B	841882	2	GASKET, Intake
186	691764	1	CONNECTOR-HOSE
192	690083	4	ADJUSTER, Rocker Arm
337	792015	2	PLUG, Spark
383	19576S	1	WRENCH, Spark Plug
415	794903	1	PLUG
613	692062	2	SCREW -(Muffler)
635	692076	2	BOOT, Spark Plug
788	844530	1	BRACKET, Fuel Pump
798	691492	4	SCREW -(Rocker Arm)
868	691963	4	SEAL, Valve
871	692057	4	BUSHING, Valve Guide
883	809872	2	GASKET, Exhaust
1022	809732	2	GASKET, Rocker Cover
1023	842540	1	COVER, Rocker
1023B	844529	1	COVER, Rocker
1026	809783	4	ROD, Push
1029	690972	4	ARM, Rocker
1029A	807323	4	ARM, Rocker
1095	843713	1	GASKET SET, Valve -(Service Kits may include extra parts not specific to this engine.)
1100	791959	4	PIVOT, Rocker Arm
1130	841590	4	STUD -(Intake Manifold)
1174	842067	4	NUT -(Intake Manifold)
1263	842544	1	REED, Breather



Flywheel, Ignition, and Starter Group

REF NO	PART NO	QTY	DESCRIPTION
23	844385	1	FLYWHEEL
73	841840	1	SCREEN, Rotating
74	809947	3	SCREW -(Rotating Screen)
309	845761	1	MOTOR, Starter
333	845126	2	ARMATURE, Magneto
334	692066	4	SCREW -(Magneto Armature)
363	19203	1	PULLER, Flywheel
697	690711	2	SCREW -(Starter Motor) (Drive Cap)
890	809987	1	BRACKET, Support
893	845758	2	NUT -(Starter Solenoid)
920	846737	1	SOLENOID, Starter
1005	846996	1	FAN, Flywheel
1006	847198	1	RETAINER, Fan
1070	807435	4	SCREW -(Flywheel Fan)
1332	809948	3	WASHER -(Rotating Screen)
1369	842858	1	GUARD, Flywheel Fan
1370	841233	4	SCREW -(Flywheel Fan Guard)
1371	841537	4	NUT -(Flywheel Fan Guard)
1372	809946	3	STUD -(Rotating Screen)
1378	844795	1	SET, Washer/Nut

Replacement Engine - US & Canada

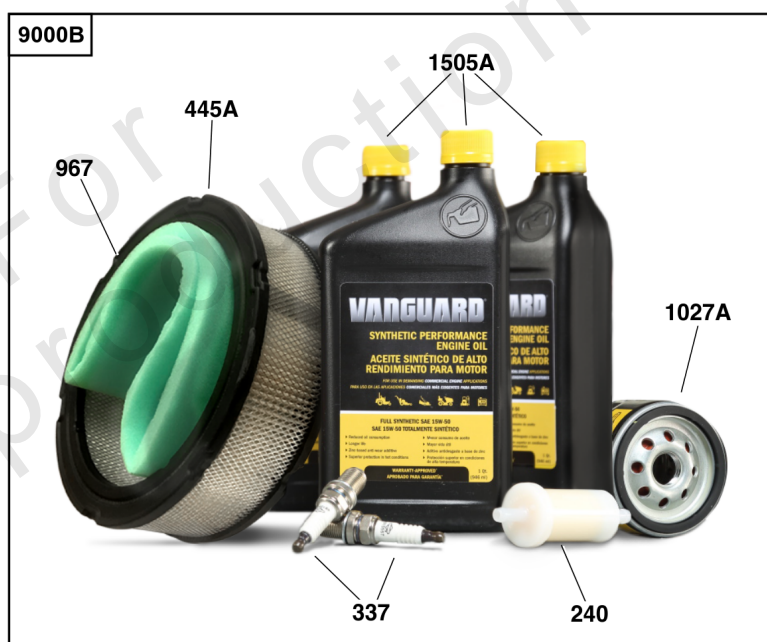
REF NO	PART NO	QTY	DESCRIPTION
	5437770013J1		Replacement Engine
	-----		Idle Speed: 1750
	-----		Top No-Load Speed: 3600
	-----		Service Note: Transfer the Governor Spring and Governor Idle Spring to the replacement engine.
	-----		Service Note: Transfer Oil Pressure Switch to the Replacement Engine

Not For Reproduction



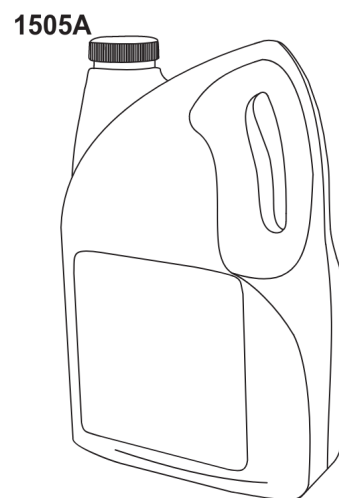
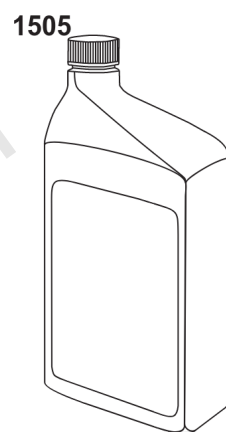
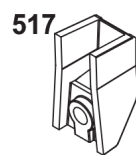
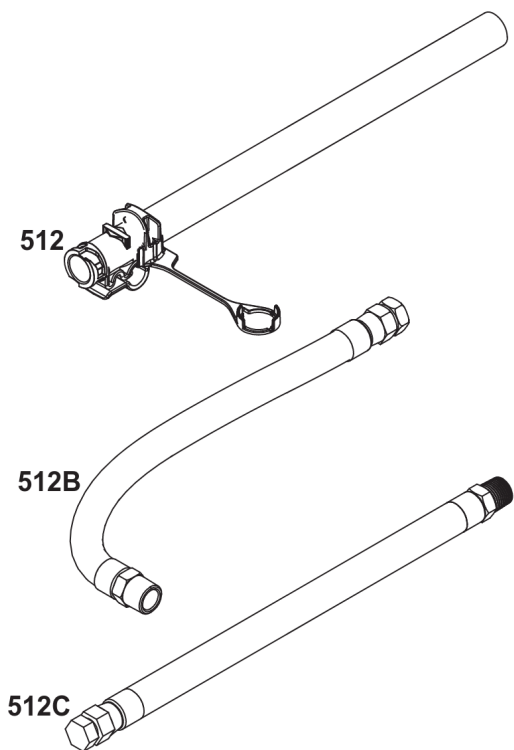
Model 54-61 Engine Accessories Catalog

Not For
Reproduction



Maintenance Kits

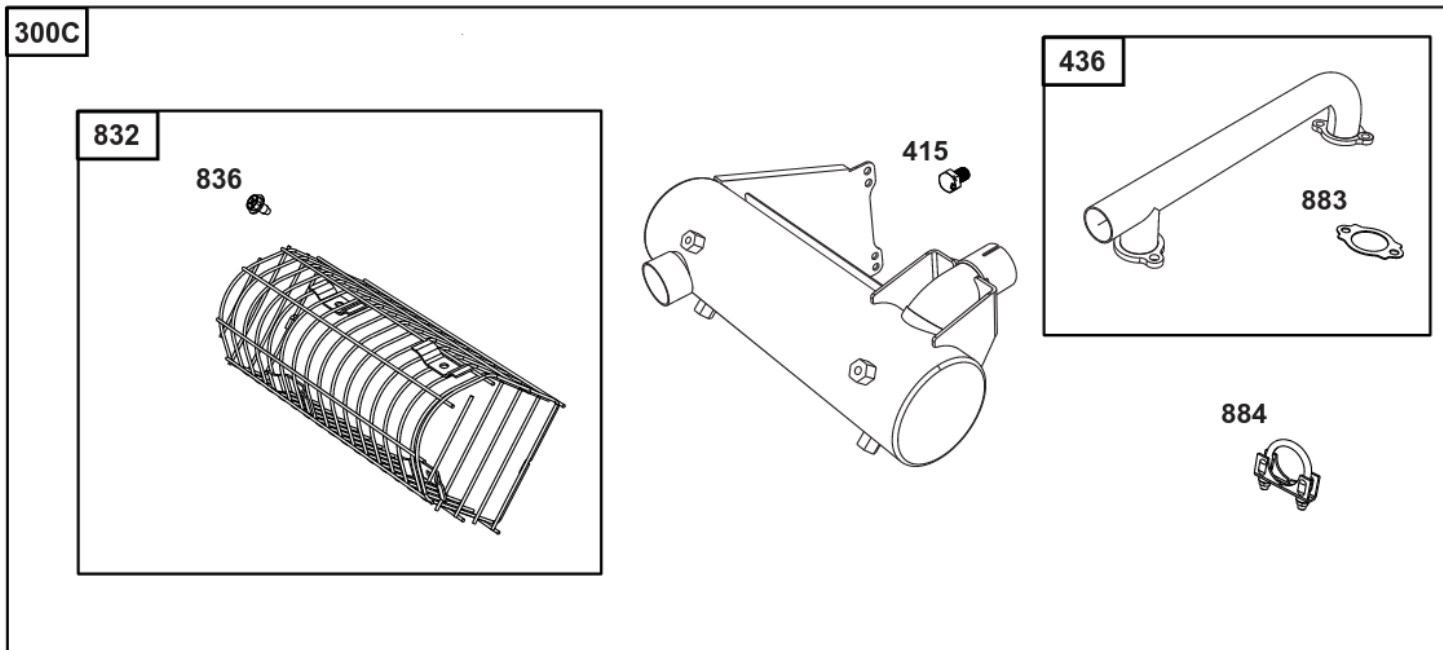
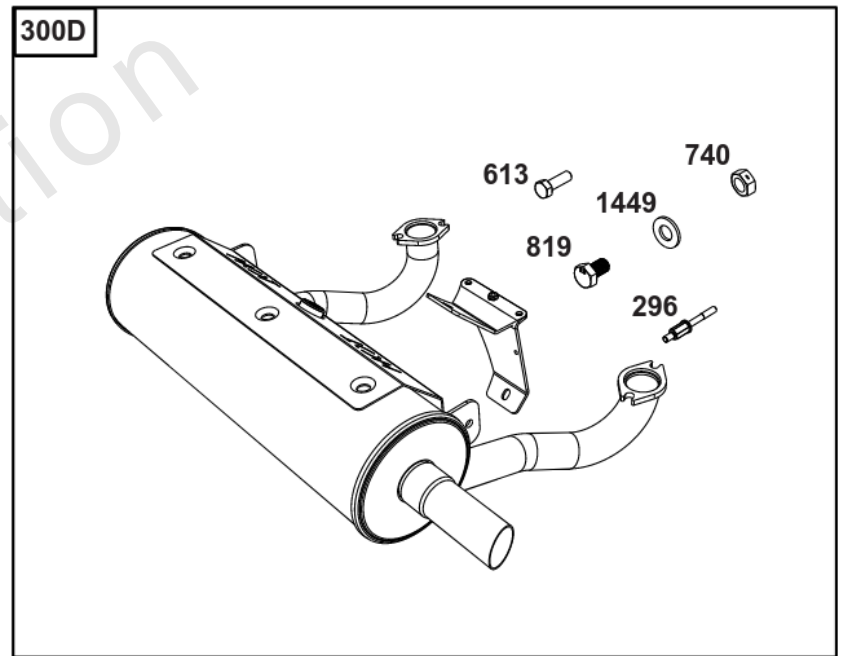
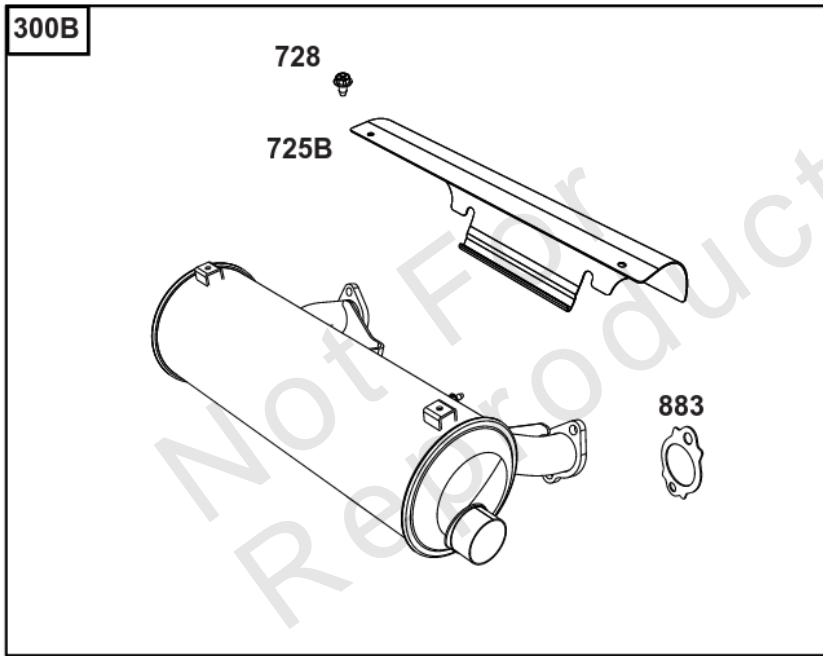
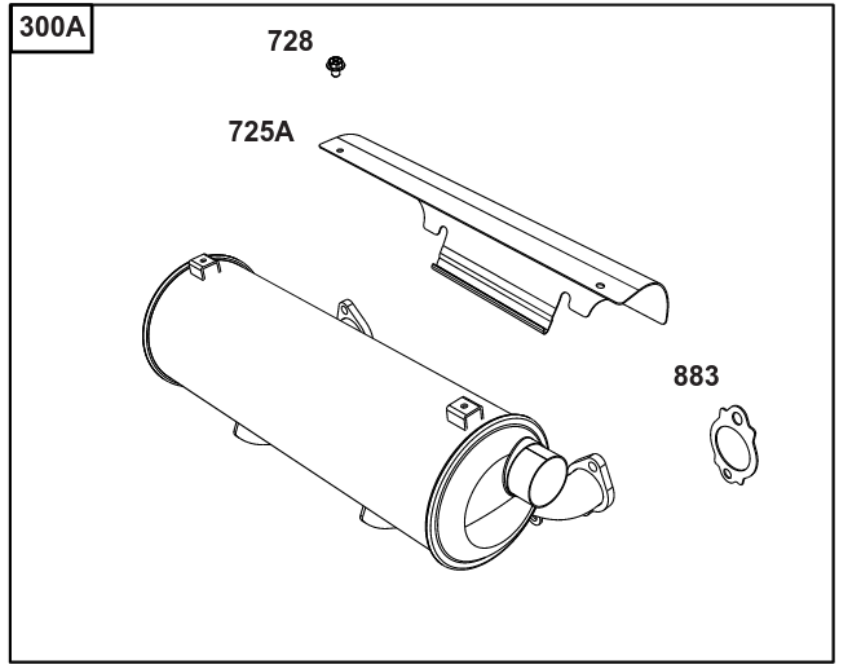
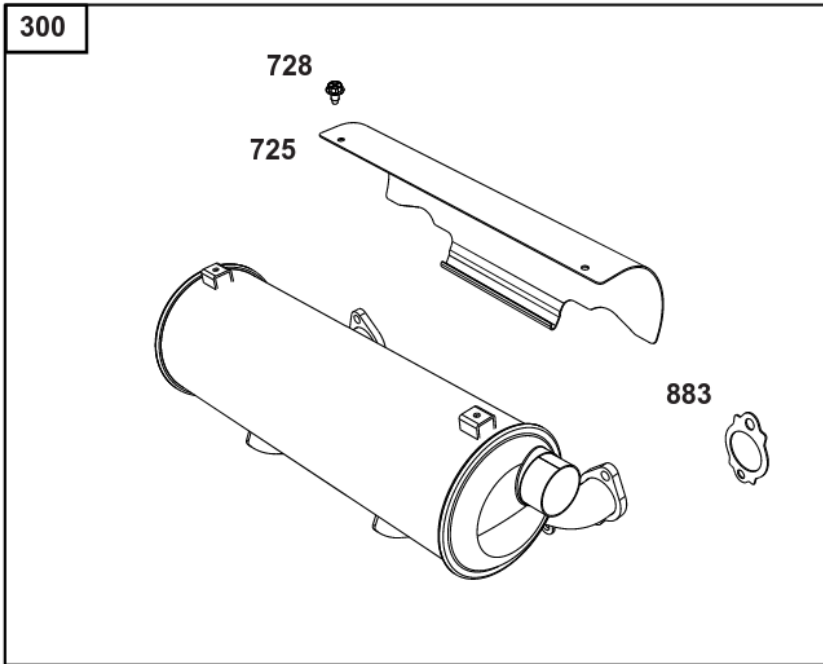
REF NO	PART NO	QTY	DESCRIPTION
9000	84002318		KIT, Maintenance -(Oil Guard™ Engines)
9000A	84002315		KIT, Maintenance -(Non-Oil Guard™ Engines)
9000B	84004936		KIT, Maintenance -(Non-Oil Guard™ Engines) (20 - 40 HP)
240	845125	1	FILTER, Fuel
337	491055S	2	PLUG, Spark
445	841497	1	FILTER, A/C Cartridge -"Professional / PXi" & "Commercial / CXi".
445A	692519	1	FILTER, A/C Cartridge -"Professional / PXi" & "Commercial / CXi".
967	692520	1	FILTER, Pre Cleaner
1027	595930	1	FILTER, Oil -(Oil Guard™)
1027A	842921	1	FILTER, Oil -(Vanguard®)
1505	100170		OIL-5QT VANGUARD (CASE) -(5 qt Bottle)
1505A	100169		OIL-1QT VANGUARD (CASE) -(1 qt Bottle)



Not For
Reproduction

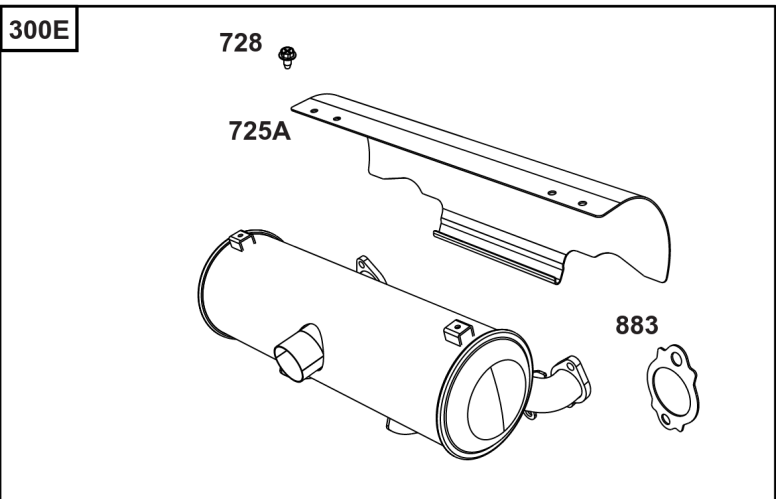
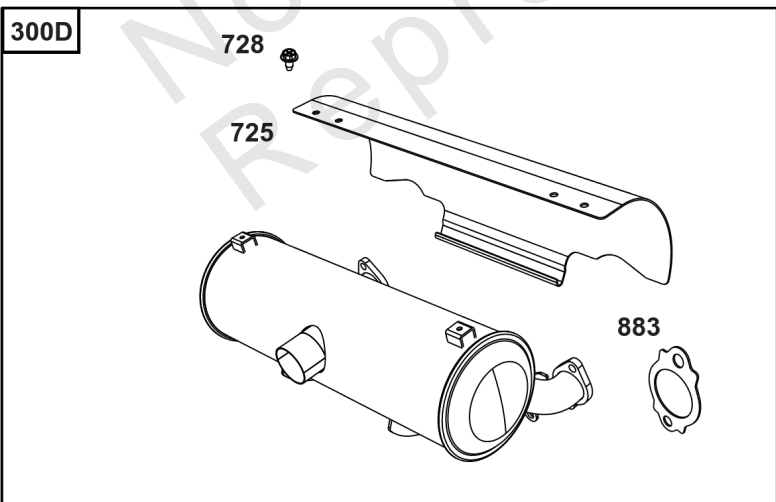
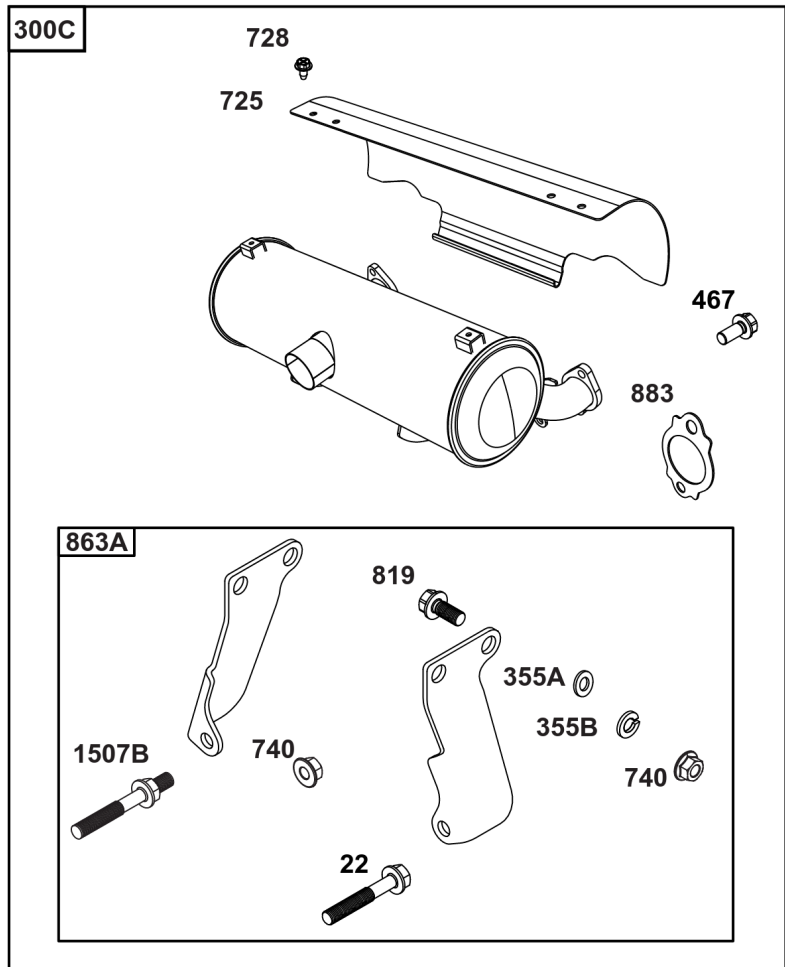
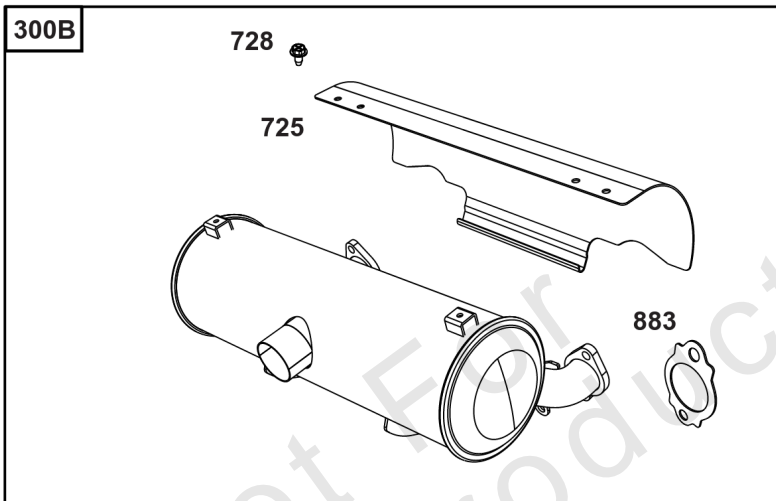
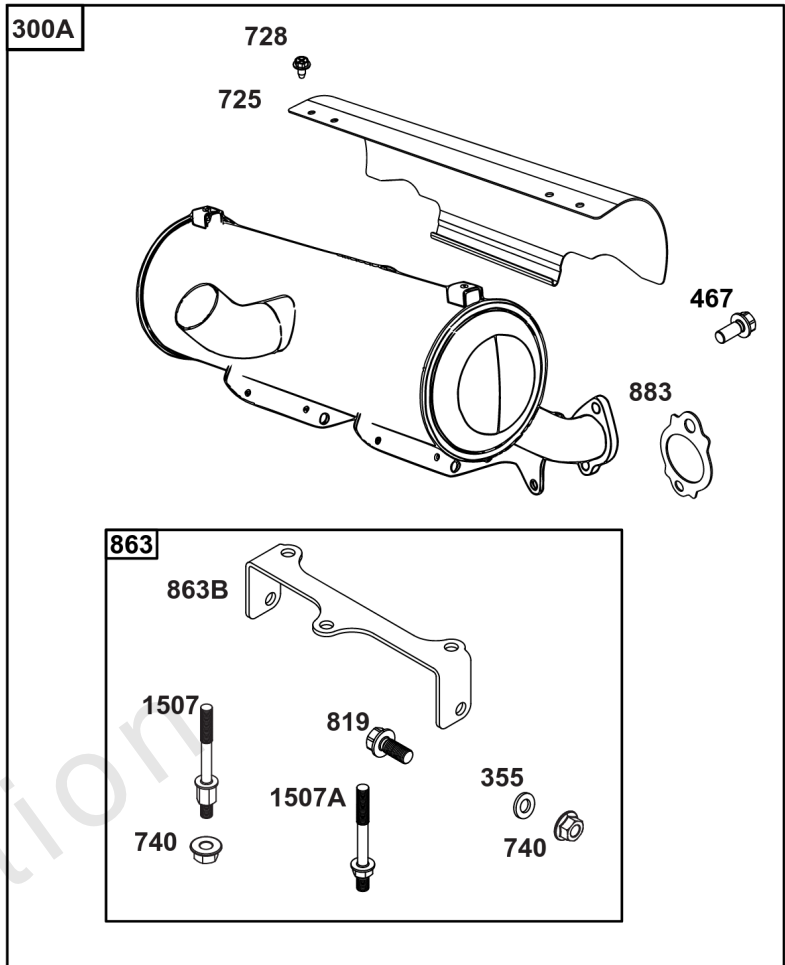
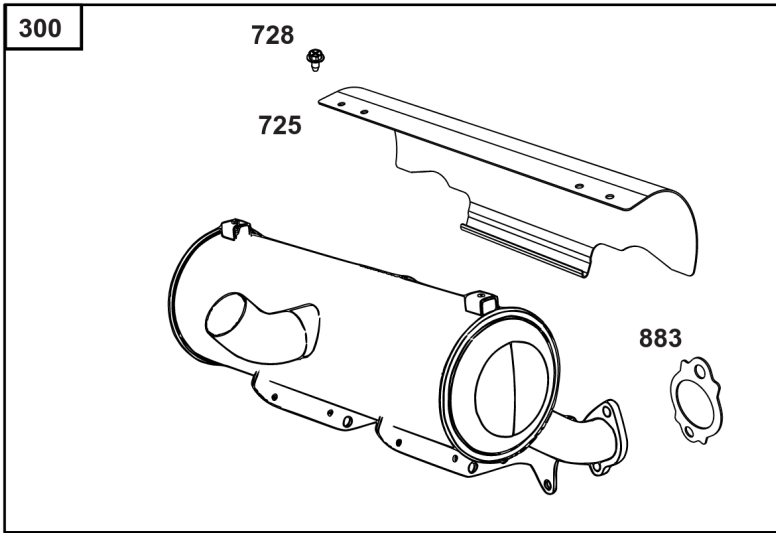
Lubrication

REF NO	PART NO	QTY	DESCRIPTION
186	796532	1	CONNECTOR, Hose -(Threaded Engine Block Connector for EZ-Oil Drain Hose)(Order hose separate)
239	690233	1	SWITCH, Oil Pressure -(2-4 PSI Normally-Closed Switch)
239A	491657S	1	SWITCH, Oil Pressure -(3-5 PSI Normally-Closed Switch)
239B	841281	1	SWITCH, Oil Pressure -(7-10 PSI Normally-Closed Switch)
239C	694115	1	SWITCH, Oil Pressure -(9-13 PSI Normally-Closed Switch)
239D	697049	1	SWITCH, Oil Pressure -(3-6 PSI Normally-Open Switch)
460	1761386YP	1	CONNECTOR, Filter Adapter -(Oil Drain Valve) (Fitting M14, 90 Degree 9/16 JIC)
460A	5100366SM	1	METRIC ADAPTER, M14-1 -(Threaded engine block adapter M14 to 3/8 for EZ-Oil Drain connector) (order 796532 separate)
512	594200	1	HOSE, Oil Drain -(EZ-Oil Drain Hose, 10.5") (Order threaded engine block connector separate)
512	593635	1	HOSE, Oil Drain -(EZ-Oil Drain Hose, 13.75") (Order threaded engine block connector separate)
512B	1723165SM	1	HOSE, Oil Drain, 10-1/2" Long, 3/8-18 Fittings -(10.5")
512C	5048681SM	1	HOSE, OIL DRAIN -(12.5")
517	593633	1	RETAINER, Oil Drain
1346	844802	1	VALVE, Oil Drain Shut Off
1346A	492031	1	VALVE, Oil Drain Shut Off
1505	100169		OIL-1QT VANGUARD (CASE) -(1 qt. Bottle)
1505A	100170		OIL-5QT VANGUARD (CASE) -(5 qt. Bottle)



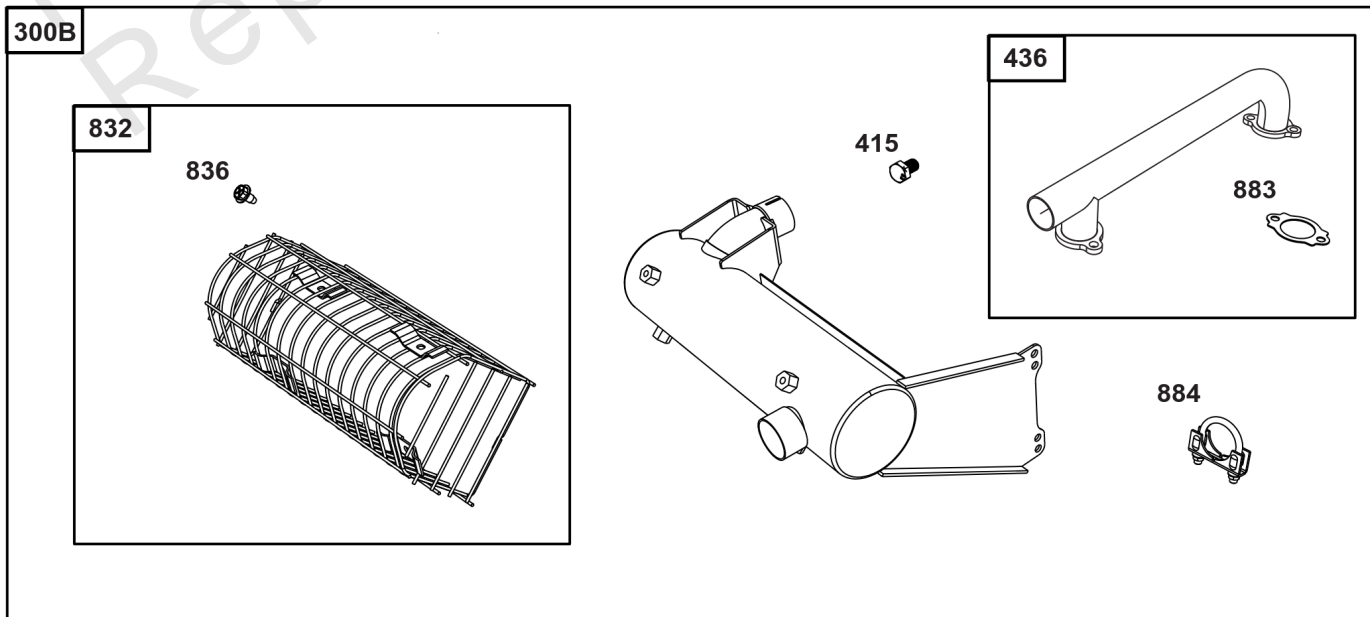
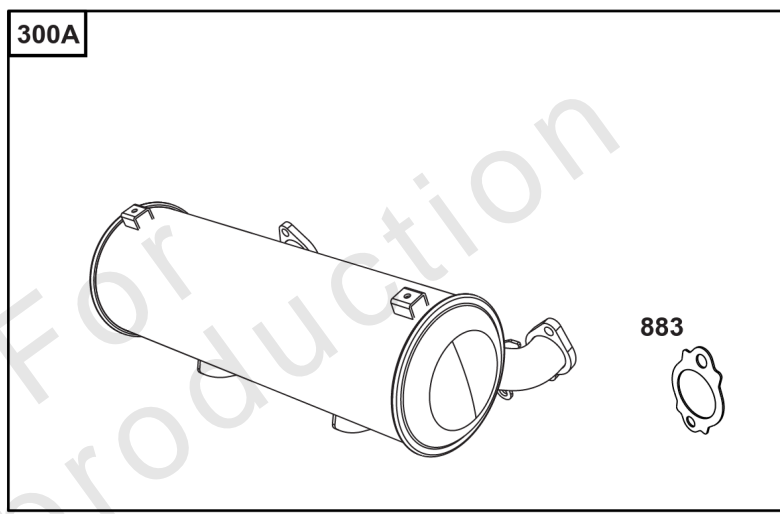
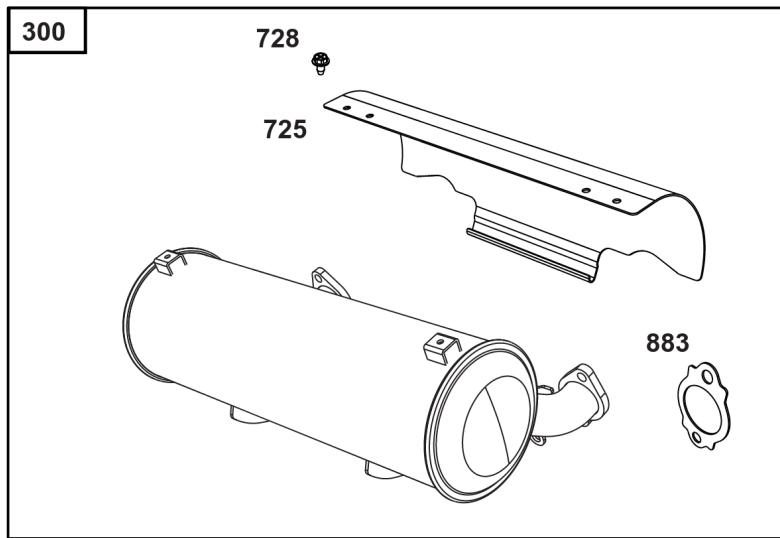
Oil Filter Side Outlet Mufflers

REF NO	PART NO	QTY	DESCRIPTION
296	844813	4	STUD -(Muffler)
300	846819	1	MUFFLER -(High Mount) (Oil Filter Side Outlet) (EFI)
300A	846246	1	MUFFLER -(Mid Mount) (Oil Filter Side Outlet)
300B	847486	1	MUFFLER -(Mid Mount) (Oil Filter Side Outlet) (EFI)
300C	847278	1	MUFFLER -(Side Mount) (Oil Filter Side Outlet) (EFI)
300D	84007299	1	MUFFLER -(Vertical Shaft)(Oil Filter Side Outlet)
415	596859	1	PLUG
436	841681	1	MANIFOLD, Exhaust
613	596859		PLUG -(Muffler)
725	847229	1	SHIELD, Heat
725A	844338	1	SHIELD, Heat
725B	847487	1	SHIELD, Heat
728	692067	2	SCREW -(Heat Shield)
740	703164	2	NUT -Muffler Bracket
819	5025011X8SM	2	CAPSCREW, Hex Head, 5/16-18 X 1 -(Muffler Bracket)
832	841682	1	GUARD, Muffler
836	841233	4	SCREW -(Muffler Guard)
883	809872	2	GASKET, Exhaust
884	841968	1	CLAMP, Muffler
1449	703350	4	WASHER -(Muffler)



Center Outlet Mufflers

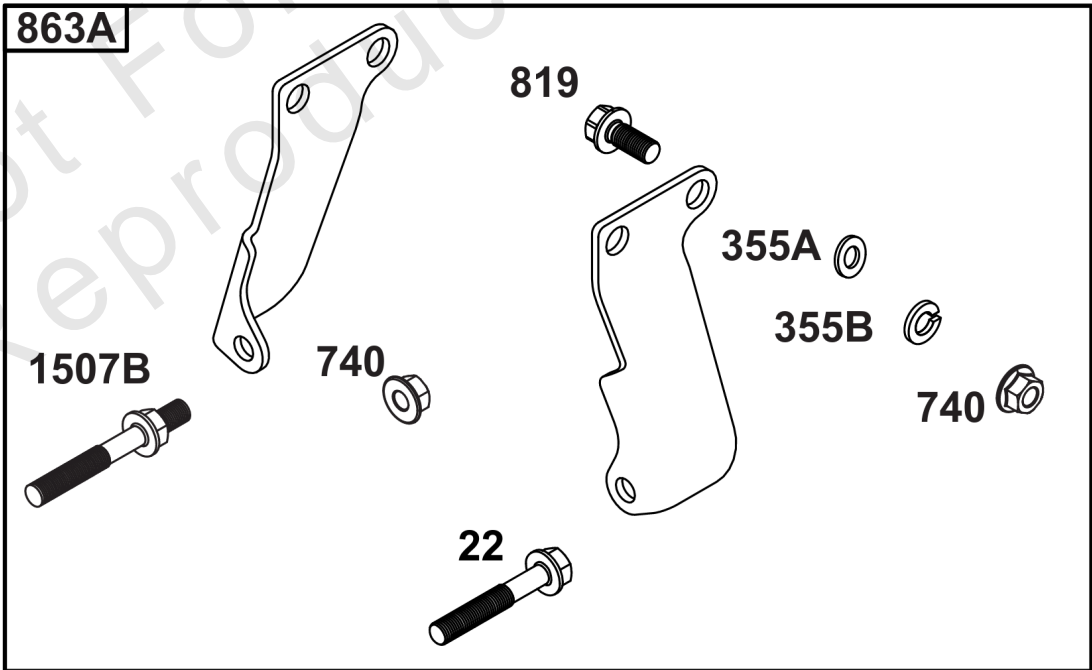
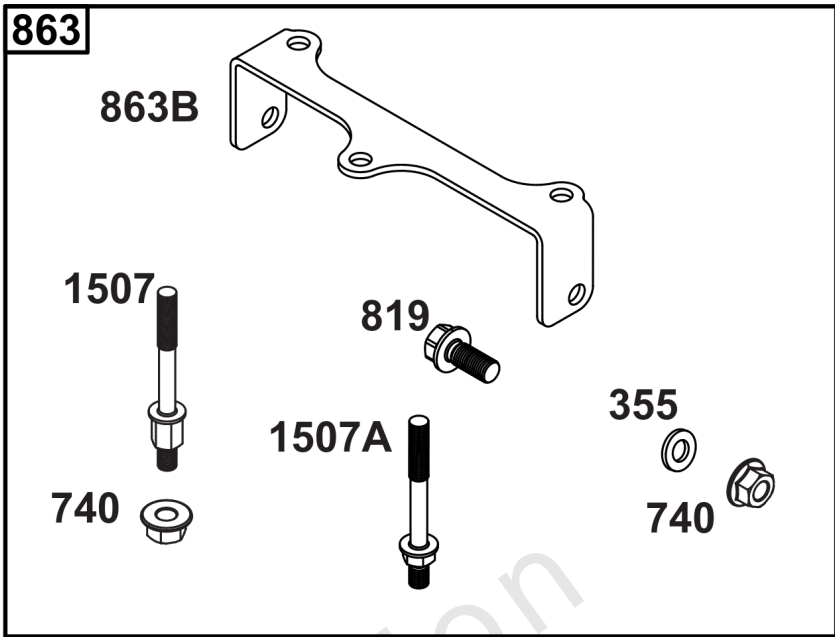
REF NO	PART NO	QTY	DESCRIPTION
22	807362	2	SCREW -(Muffler Bracket)
300	846443	1	MUFFLER -(Vertical Shaft) (Center Outlet) (304 Stainless Steel)
300A	847940	1	MUFFLER -(Vertical Shaft) (Center Outlet) (304 Stainless Steel) (Performance Muffler for 40 HP)
300B	846154	1	MUFFLER -(Horizontal Shaft) (High Mount) (Center Outlet)
300C	847922	1	MUFFLER -(Horizontal Shaft) (High Mount) (Center Outlet) (304 Stainless Steel) (Performance Muffler for 40 HP)
300D	846444	1	MUFFLER -(Horizontal Shaft) (High Mount) (Center Outlet) (304 Stainless Steel)
300E	847478	1	MUFFLER -(Horizontal Shaft) (High Mount) (Center Outlet) (O2 Sensor Port) (EFI)
355	844035	2	WASHER -(Muffler Bracket)
355A	691261	2	WASHER -(Muffler Bracket)
355B	691075	8	WASHER -(Muffler Bracket)
467	846149	4	SCREW -(Exhaust Manifold)
725	841132	1	SHIELD, Heat
725A	847229	1	SHIELD, Heat
728	692067	2	SCREW -(Heat Shield)
740	690941	5	NUT
819	692062	2	SCREW -(Muffler Bracket)
863	848296	1	BRACKET, Muffler
863A	843487	1	BRACKET, Muffler
863B	848296	1	BRACKET, Muffler
883	809872	2	GASKET, Exhaust
1507	848297	1	STUD -(Muffler Bracket)
1507A	848298	2	STUD -(Muffler Bracket)
1507B	846324	2	STUD -(Muffler Bracket)



Starter Side Outlet Mufflers

REF NO	PART NO	QTY	DESCRIPTION
300	845741	1	MUFFLER -(High Mount) (Starter Side Outlet)
300A	847083	1	MUFFLER -(Starter Side Outlet) (EFI)
300B	847279		MUFFLER -(Side Mount) (Starter Side Outlet) (EFI)
415	596859	1	PLUG
436	842263	1	MANIFOLD, Exhaust
725	841132	1	SHIELD, Heat
728	692067	2	SCREW -(Heat Shield)
832	841682	1	GUARD, Muffler
836	841233	4	SCREW -(Muffler Guard)
883	809872	2	GASKET, Exhaust
884	841968	1	CLAMP, Muffler

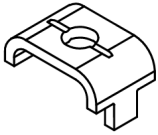
Not For Reproduction



Muffler Bracket Kits

REF NO	PART NO	QTY	DESCRIPTION
22	807362	2	SCREW -(Muffler Bracket)
355	844035	2	WASHER -(Muffler Bracket)
355A	691261	2	WASHER -(Muffler Bracket)
355B	691075	8	WASHER -(Muffler Bracket)
740	690941	6	NUT -(Muffler Bracket)
819	692062	2	SCREW -(Muffler Bracket)
863	848316	1	BRACKET, Muffler -(Vertical)
863A	843487	1	BRACKET, Muffler -(Horizontal)
863B	848296	1	BRACKET, Muffler -(Vertical)
1507	848297	1	STUD -(Muffler Bracket)
1507A	848298	2	STUD -(Muffler Bracket)
1507B	846324	2	STUD -(Muffler Bracket)

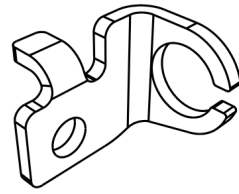
265



265A



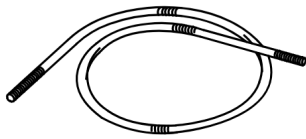
416



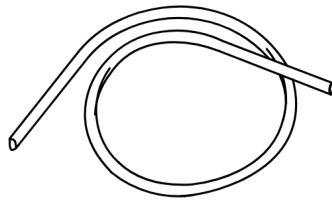
267



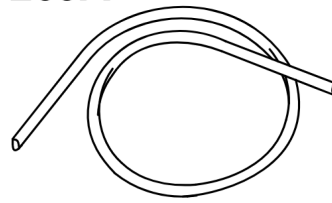
268



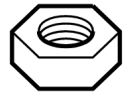
269



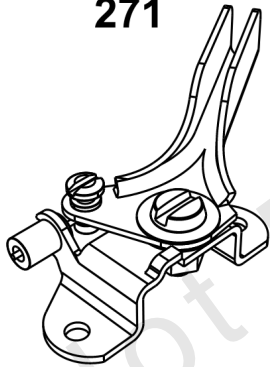
269A



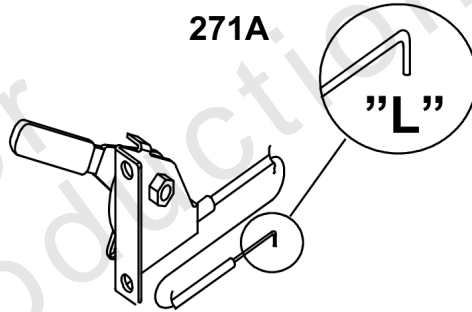
270



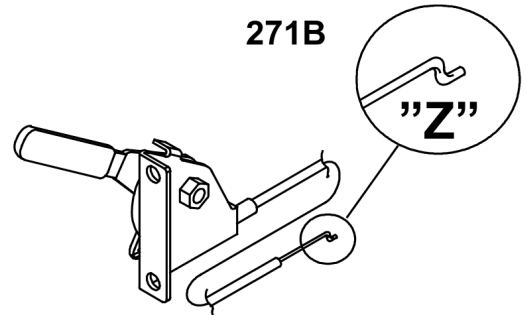
271



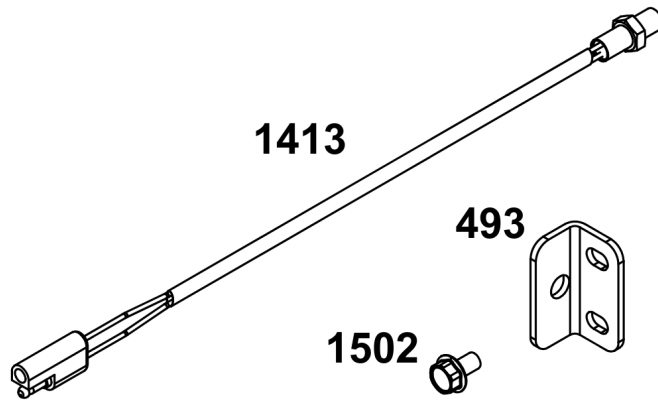
271A



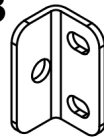
271B



1413



493



1502



Speed Control

REF NO	PART NO	QTY	DESCRIPTION
265	691024	1	CLAMP, Casing -(Casing Clamp for Hard Casing)
265A	690798	1	CLAMP, Casing -(Casing Clamp for Soft Casing)
267	792629	1	SCREW -(Screw for Casing Clamp)
268	691025	1	CASING, Control Wire -(Wire Casing 72")
269	691026	1	WIRE, Control -(Control Wire 78")
269A	93907	1	WIRE, Control -(Control Wire 100")
270	691027	1	NUT -(Nut for Wire Casing)
271	691028	1	LEVER, Control
271A	692105	1	LEVER, Control -(Wire with "L" formed end)
271B	692541	1	LEVER, Control -(Wire with "Z" formed end)
416	595196	1	BRACKET, Throttle Cable -(Casing Clamp for Snap-In Casing)
493	842713	1	BRACKET, Mounting -(Speed Sensor)
1413	844449	1	SENSOR, Speed -(Requires 842713 Bracket and two 841233 screws)
1502	841233	2	SCREW -(Speed Sensor)

330



853



415



1616



1518



983



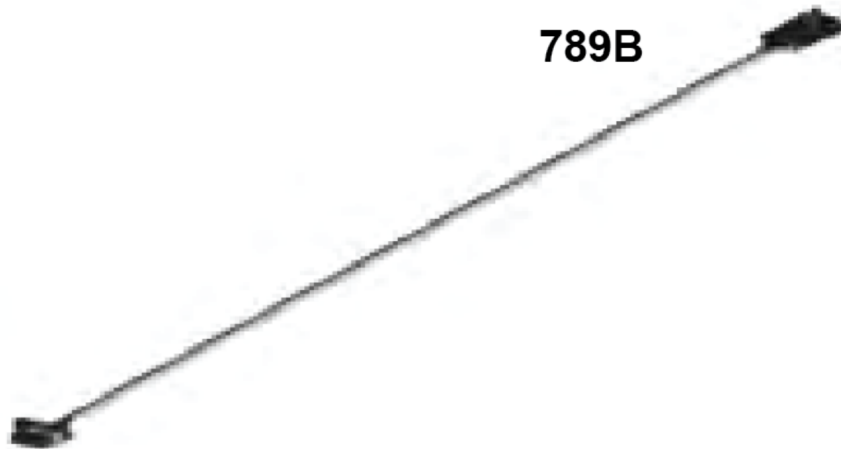
789



789A

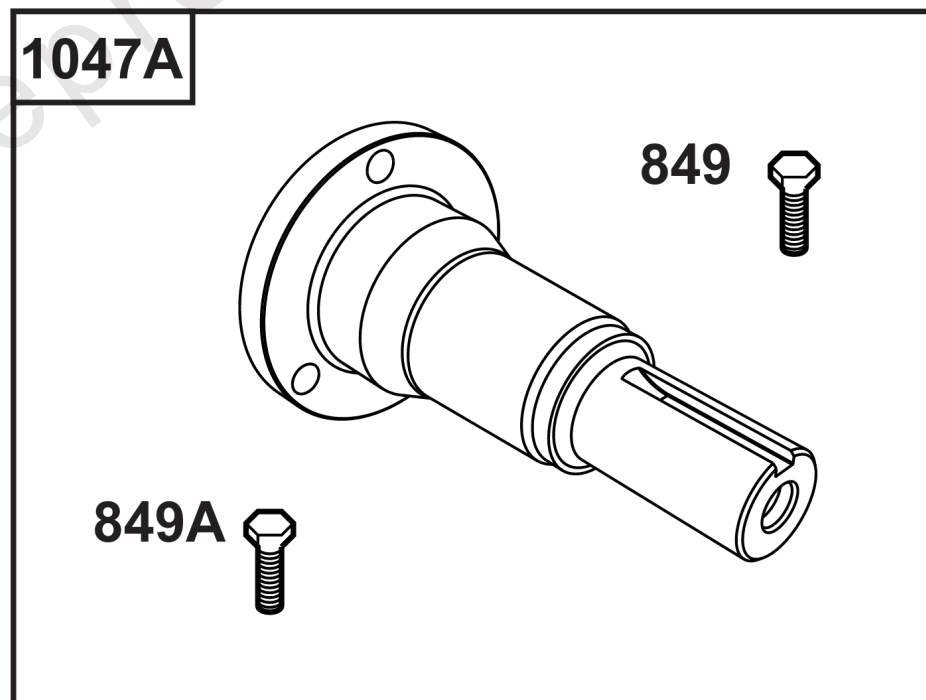
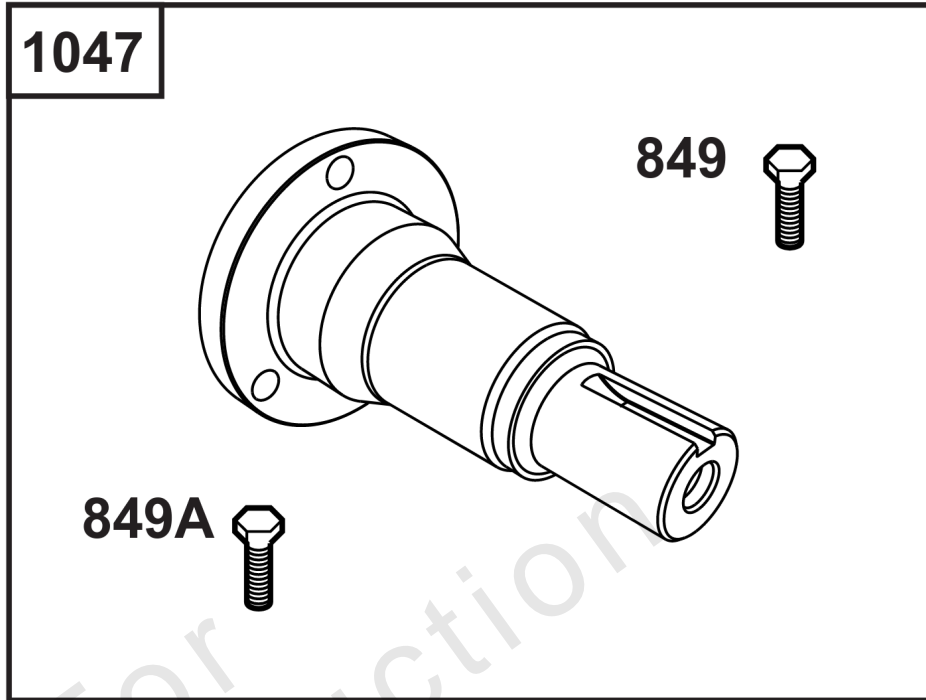


789B



Electrical

REF NO	PART NO	QTY	DESCRIPTION
330	847476	1	SENSOR, Oxygen -(Extended Length O2 Sensor 23.5")
415	1714480SM	1	PLUG -(Plug for Ignition Switch Removal)
789	809967	1	HARNESS, Wiring -(Wire Harness Extension 8 Pin – 22") (Use with standard key switch 692318 or water/dust resistant key switch 847448)
789A	846776	1	HARNESS, Wiring -(Wire Harness Extension 6 Pin – 22") (Use with standard key switch 692318 or water/dust resistant key switch 847448)
789B	847017	1	WIRE ASSEMBLY -(Wire Harness Extension for 847016 Tach 32")
853	80028618	1	ADAPTER, Wire -(Wire Harness Adapter 6 Pin to 8 Pin)
983	5103809YP	1	LIGHT, Indicator -(MIL Light Indicator, LED Red)
1518	847016	1	TACHOMETER -(Tach, Hour Meter with MIL Light for EFI Engines)
1616	19626	1	CODE READER -(Tiny Scan)



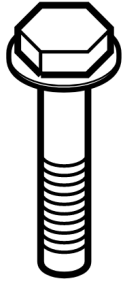
Not For
Reproduction

Stub Shafts

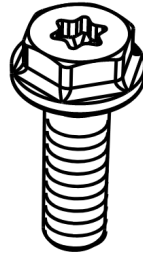
REF NO	PART NO	QTY	DESCRIPTION
849	596370	3	SCREW -(Stub Shaft)
849A	846235	3	SCREW -(Stub Shaft)
1047	841304	1	SHAFT, Stub -(Flywheel Mounted) (1-1/8" diameter, 148 mm length)
1047A	843342	1	SHAFT, Stub -(Flywheel Mounted) (1-1/8" diameter, 176 mm length)

Not For Reproduction

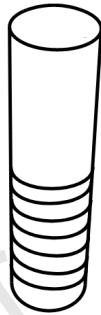
613



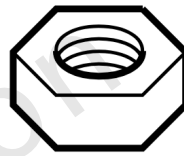
437



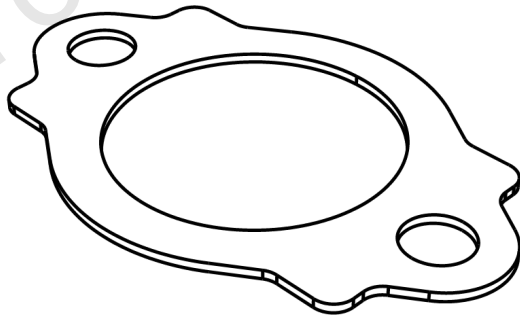
151



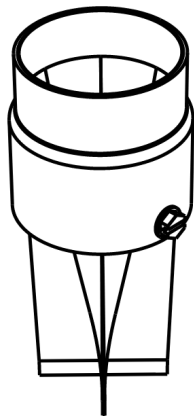
1177



883



994



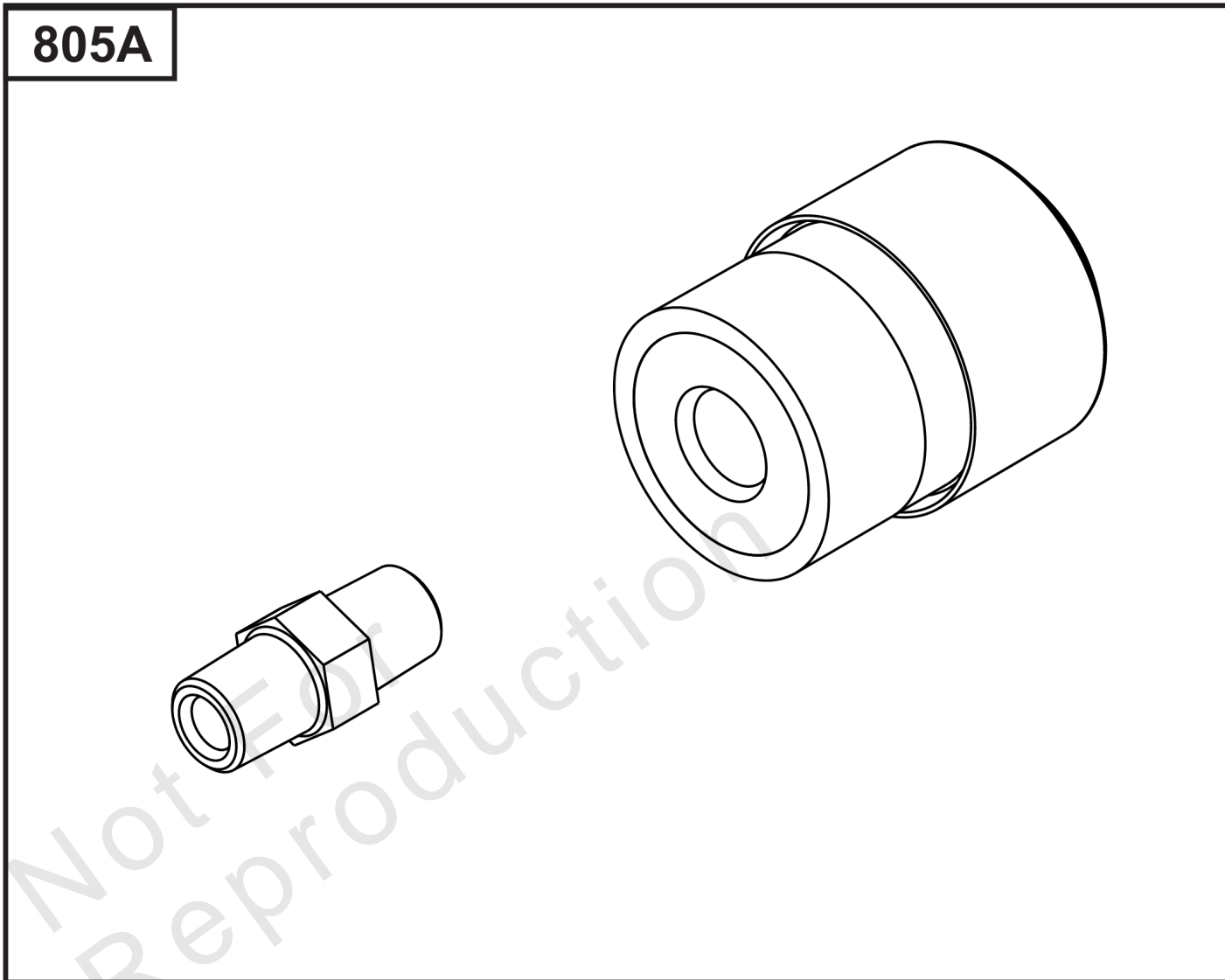
301



Spark Arrester/Deflector

REF NO	PART NO	QTY	DESCRIPTION
151	841185	4	STUD -(4 per engine)
301	841518	1	PIPE, Exhaust -(For 44.7 O.D. muffler outlet pipe) (Requires clamp 843624)
437	809743	4	SCREW -(M8 x 25 for Mounting Mufflers) (4 per engine)
613	692062	4	SCREW -(M8 x 18 for Mounting Mufflers) (4 per engine)
883	809872	2	GASKET, Exhaust -(2 per engine)
994	843204	1	ARRESTOR, Spark -(1.75") (44.7 mm) (O.D. Outlet Tube)
1177	842067	4	NUT -(Required if using 841185 stud)

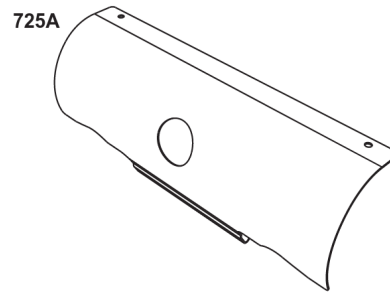
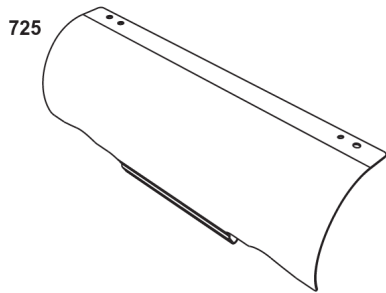
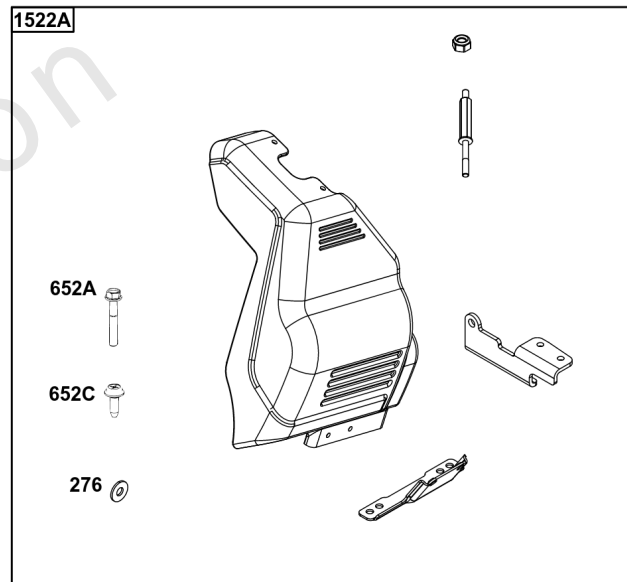
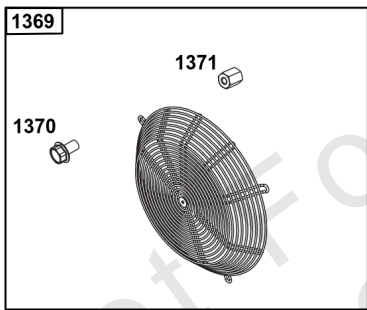
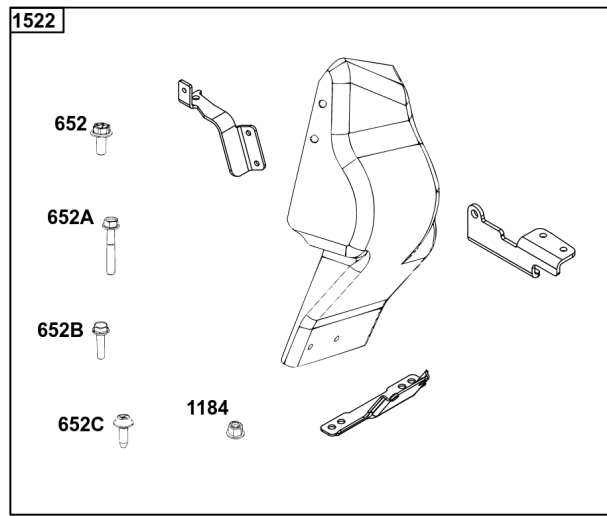
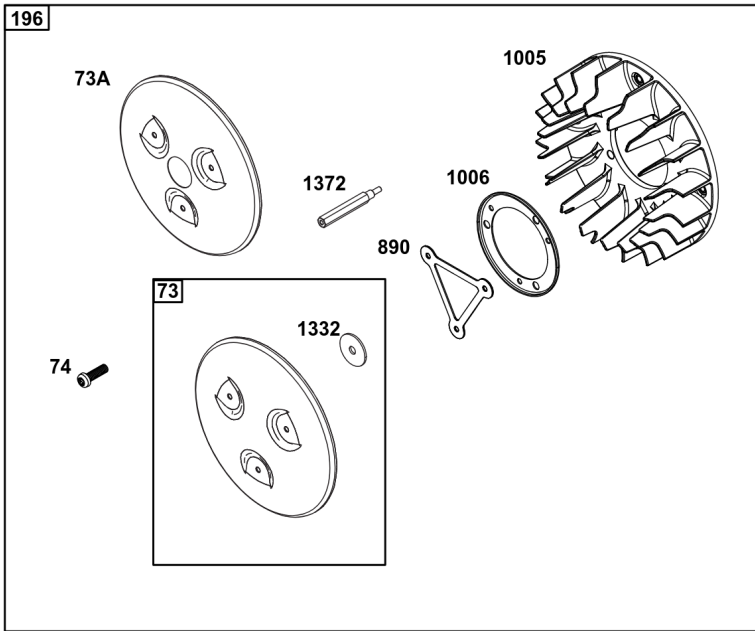
Not For Reproduction



Air Intake

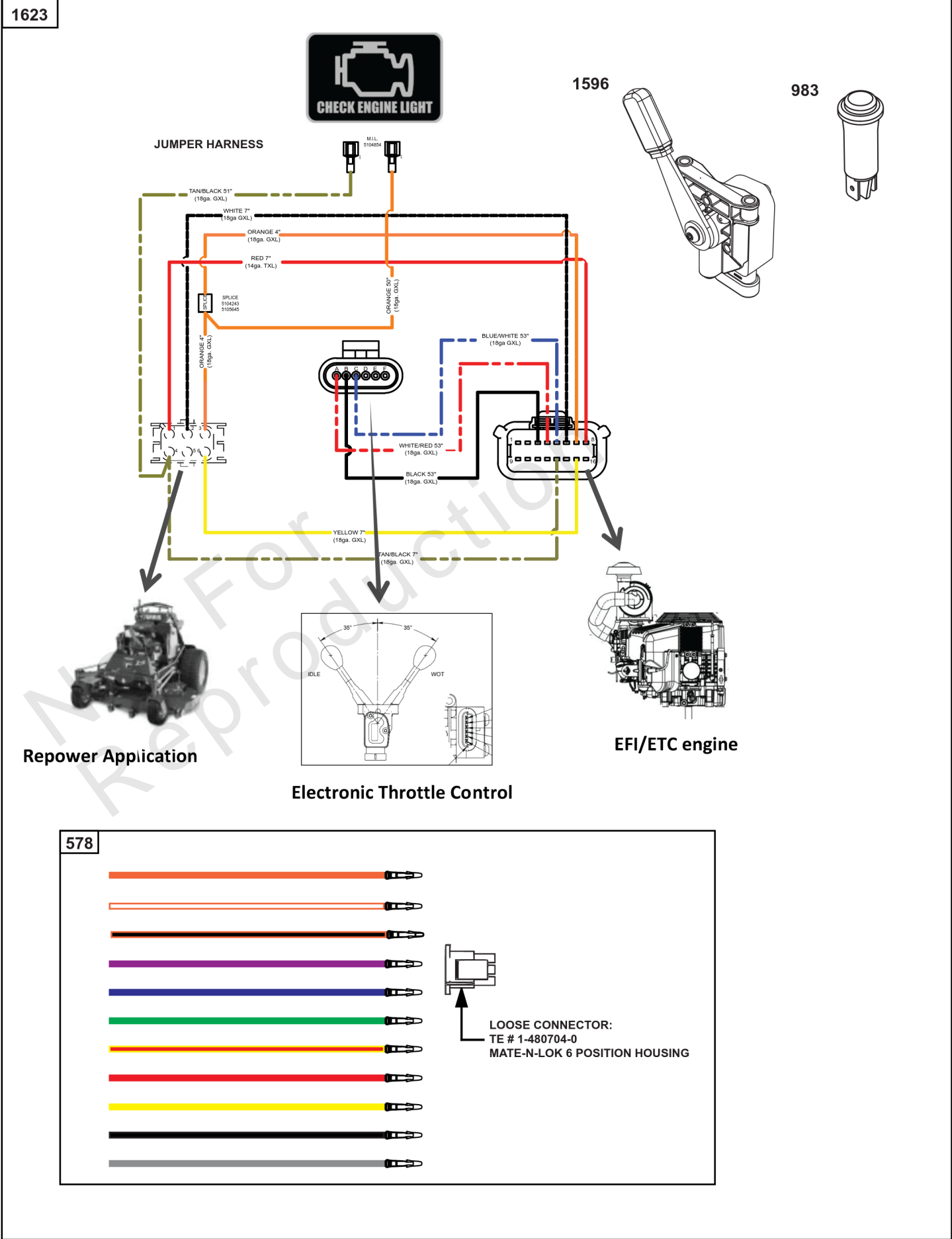
REF NO	PART NO	QTY	DESCRIPTION
805A	843024	1	MINDER, Filter

Not For Reproduction



Guarding

REF NO	PART NO	QTY	DESCRIPTION
73	841840	1	SCREEN, Rotating
73A	842248	1	SCREEN, Rotating
74	809947	3	SCREW -(Rotating Screen) (M6x20mm)
196	847200	1	GUARD, Flywheel Fan
276	595601	2	WASHER, Sealing
652	807084	1	SCREW
652A	807362	2	SCREW
652B	807421	1	SCREW
652C	692067	6	SCREW
725	841132	1	SHIELD, Heat -(Requires 2 x 692067 Screw)
725A	847229	1	SHIELD, Heat -(With 02 Sensor Hole) (EFI)
890	809987	1	BRACKET, Support
1005	846996	1	FAN, Flywheel
1006	847198	1	RETAINER, Fan
1184	690941	2	NUT
1332	809948	3	WASHER
1369	995019	1	FAN/SCREEN ASSEMBLY
1370	841233	4	SCREW -(Flywheel Fan Guard)
1371	841537	4	NUT -(Flywheel Fan Guard)
1372	809946	3	STUD
1522	846510	1	COVER, Wire -(BIG BLOCK™ Horizontals)
1522A	847235	1	COVER, Wire -(BIG BLOCK™ Horizontals)



Electronic Throttle Kit

REF NO	PART NO	QTY	DESCRIPTION
578	84007350	1	WIRE ASSEMBLY
983	5103809YP	1	LIGHT, Indicator
1596	84007271	1	LEVER, Electronic Throttle
1623	84008670	1	KIT, Throttle Assembly -(Analog Electronic Throttle Control)

Not For Reproduction

