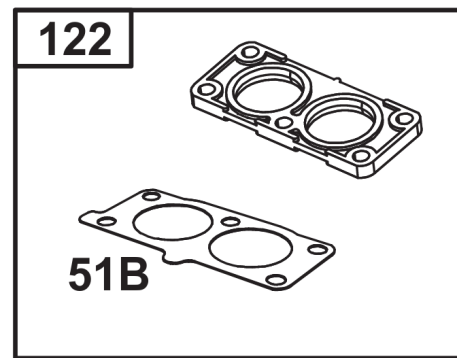
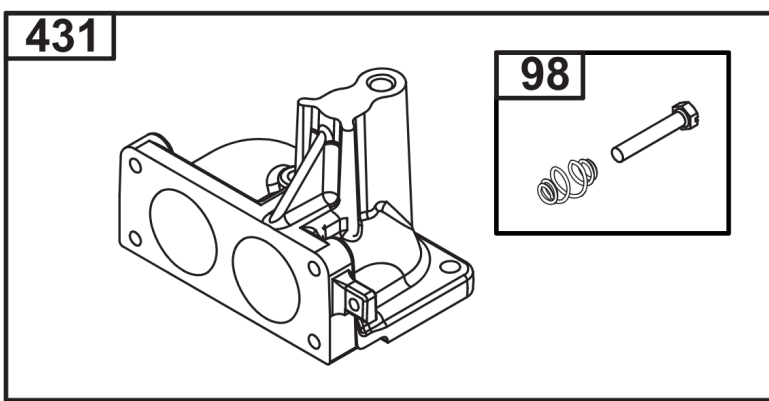
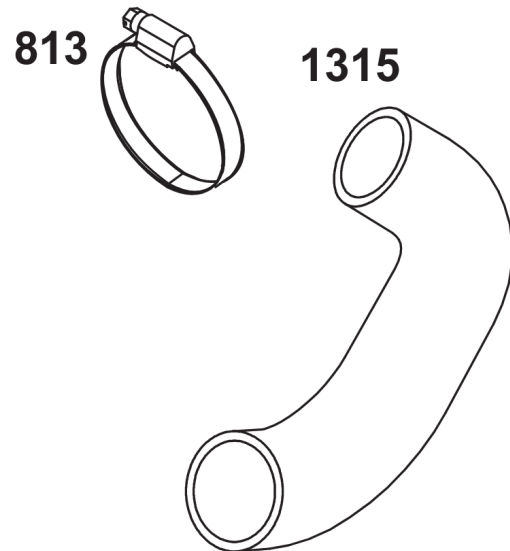
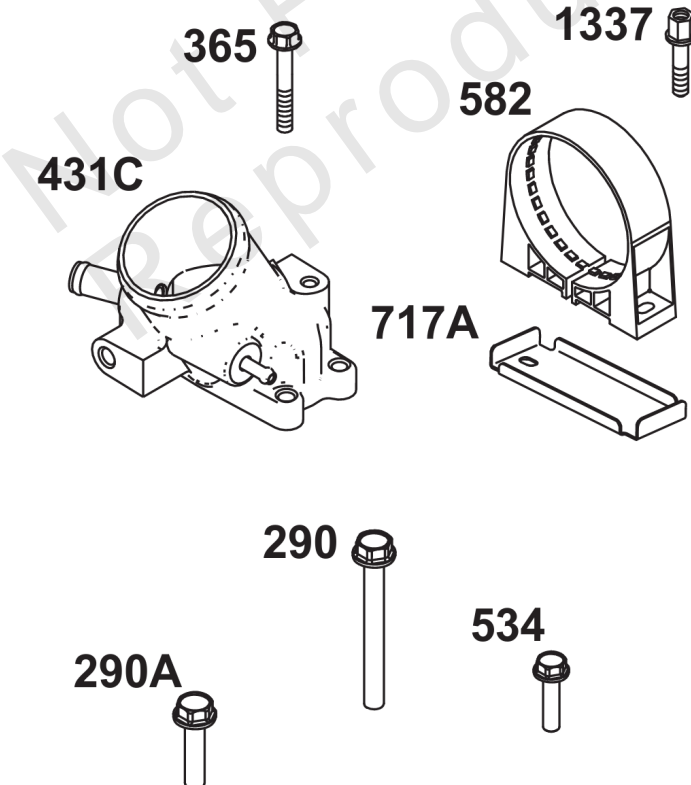
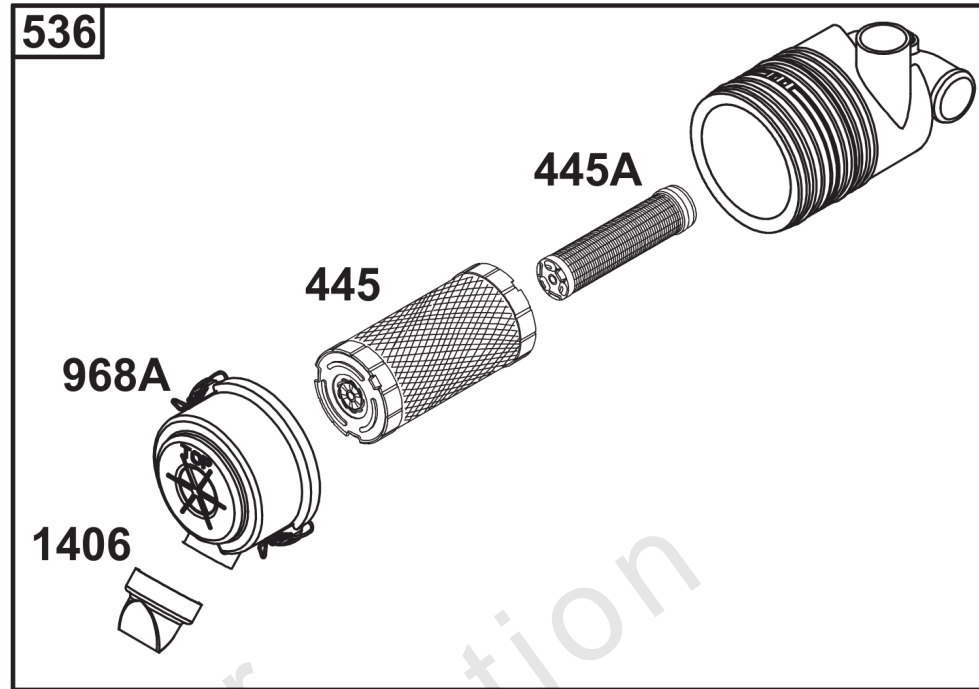
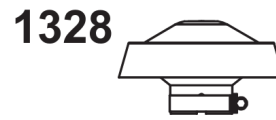






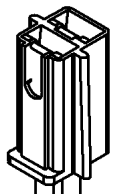
<b>Model Components</b>	<b>Page</b>
Air Cleaner Group.....	4
Alternator Group.....	6
Blower Housing Group.....	8
Carburetor and Fuel Supply Group.....	10
Controls Group.....	14
Crankcase Cover/Sump Group.....	16
Crankshaft Group.....	18
Cylinder Group.....	20
Cylinder Head Group.....	24
Exhaust Group.....	28
Flywheel, Ignition, and Starter Group.....	30
Lubrication Group.....	32
Replacement Engine - US & Canada.....	34
Model 54-61 Engine Accessories Catalog.....	35
Maintenance Kits.....	36
Lubrication.....	38
Oil Filter Side Outlet Mufflers.....	40
Center Outlet Mufflers.....	42
Starter Side Outlet Mufflers.....	44
Muffler Bracket Kits.....	46
Speed Control.....	48
Electrical.....	50
Stub Shafts.....	52
Spark Arrester/Deflector.....	54
Air Intake.....	56
Guarding.....	58
Electronic Throttle Kit.....	60



## Air Cleaner Group

REF NO	PART NO	QTY	DESCRIPTION
51B	-----	2	GASKET, Intake -(Part information located in Cylinder Head Group.)
98	841842	1	KIT, Idle Speed
122	-----	1	SPACER, Carburetor -(Part information located in Carburetor and Fuel Supply Group.)
290	809911	1	SCREW -(Intake Elbow)
290A	807421	2	SCREW -(Intake Elbow)
365	807437	4	SCREW
431	841539	1	ELBOW, Intake
431C	845920	1	ELBOW, Intake
445	841497	1	FILTER, A/C Cartridge
445A	821136	1	FILTER, A/C Cartridge
534	692062	3	SCREW
536	809670	1	CLEANER, Air
582	809878	1	CLAMP, Air Cleaner
717A	842730	1	BRACKET, Air Cleaner
813	593625	2	CLAMP
968A	842621	1	COVER, Air Cleaner
1315	809905	1	HOSE, Air Cleaner
1328	809907	1	CAP, A/C Rain
1337	807382	2	SCREW -(Air Cleaner Clamp)
1406	842623	1	VALVE, Debris

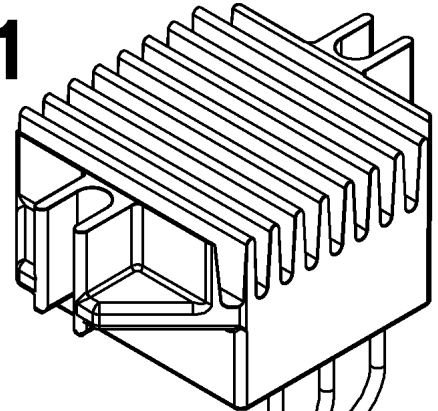
**474**



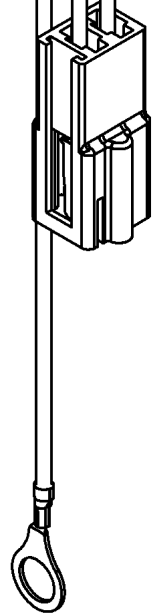
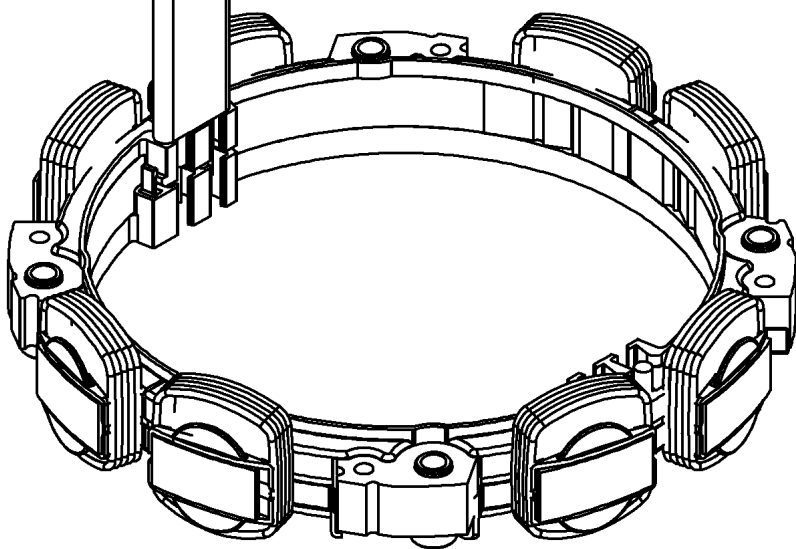
**526**



**501**



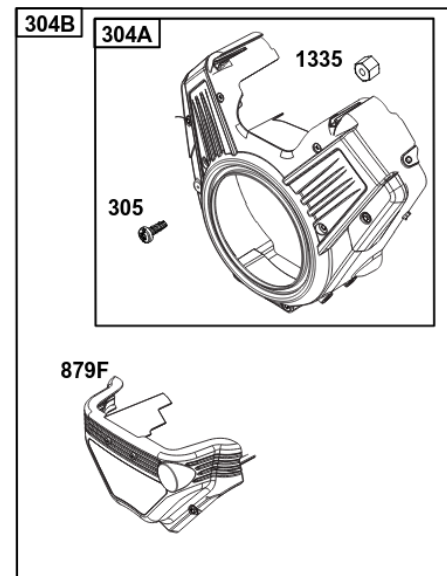
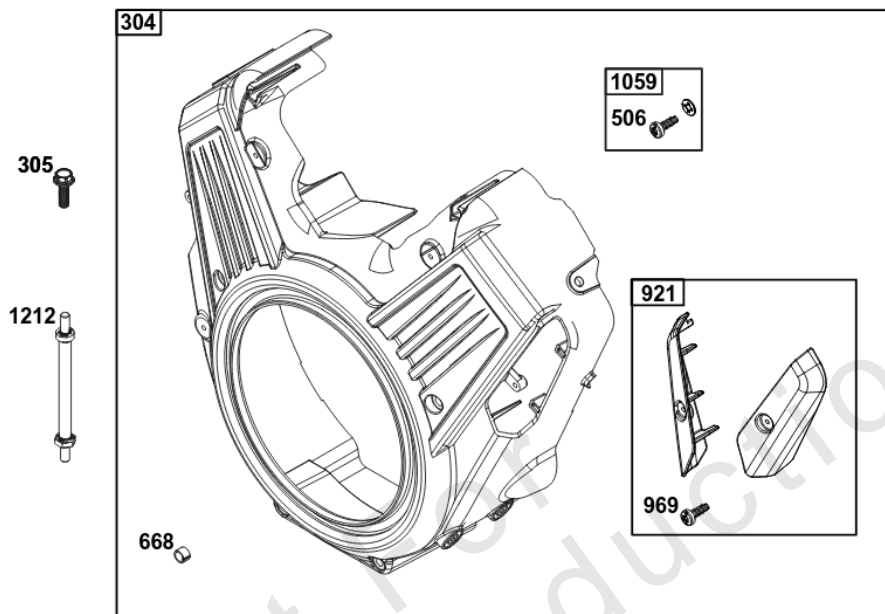
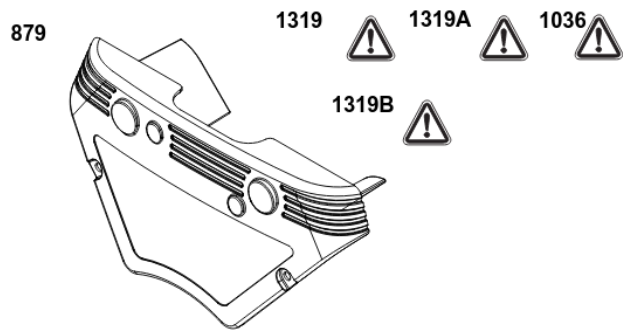
**1119**



## Alternator Group

REF NO	PART NO	QTY	DESCRIPTION
474	846882	1	ALTERNATOR
501	847385	1	REGULATOR
526	690717	2	SCREW -(Regulator)
1119	691552	4	SCREW -(Alternator)

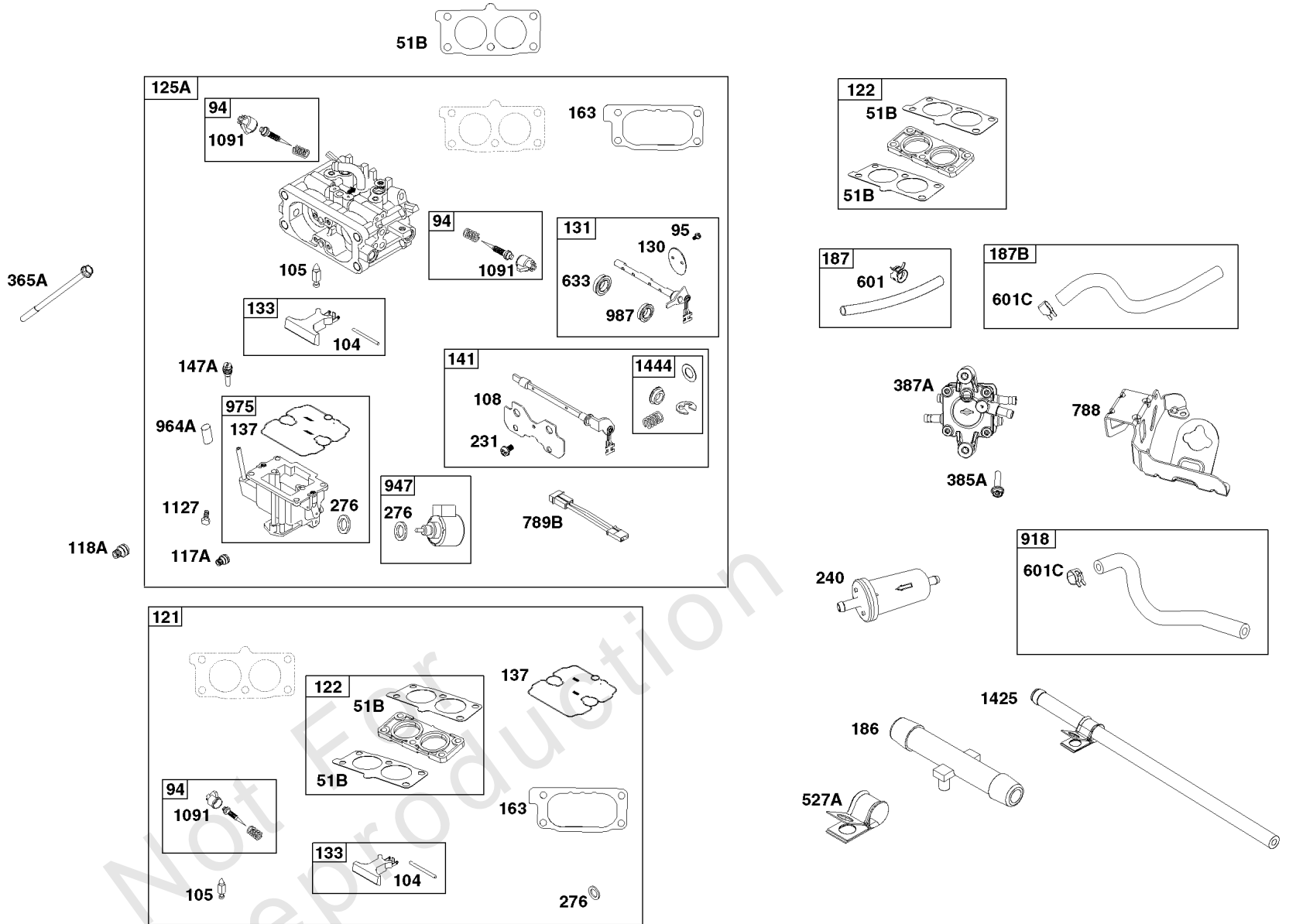
Not For Reproduction



Not for reproduction

## Blower Housing Group

REF NO	PART NO	QTY	DESCRIPTION
304	84006664	1	HOUSING, Blower -Used Before Code Date 23122100 (No Longer Available) (See Reference 304B for Service)
304A	84011458	1	HOUSING, Blower -Used After Code Date 23122000
304B	84013458	1	KIT, Blower Housing
305	807435	2	SCREW -(Blower Housing)
506	846250	2	SCREW -(Carburetor/EFI Cover)
668	841974	6	SPACER
879	809955	1	COVER, Carburetor/EFI -Used Before Code Date 23122100 (No Longer Available) (See Reference 304B for Service)
879F	84011180	1	COVER, Carburetor/EFI -Used After Code Date 23122000
921	84006666	1	COVER, Blower Housing -( -Used Before Code Date 23122100)
969	84006665	2	SCREW -(Blower Housing Cover)
1036	-----	1	LABEL, Emissions -(Available From A Briggs & Stratton Authorized Service Dealer)
1059	845300	2	KIT, Screw/Washer
1212	809958	4	STUD -(Blower Housing)
1319	794467	1	LABEL, Warning -(Required When Replacing Parts With Warning Labels Affixed)
1319A	797669	1	LABEL, Warning -(Required When Replacing Parts With Warning Labels Affixed)
1319B	278911GS	1	LABEL, Warning -(Required When Replacing Parts With Warning Labels Affixed)
1335	841537	4	NUT -(Blower Housing)



## Carburetor and Fuel Supply Group

REF NO	PART NO	QTY	DESCRIPTION
51B	-----	3	GASKET, Intake -(Part information located in Cylinder Head Group.)
94	843295	2	KIT, Idle Mixture
95	690718	2	SCREW -(Throttle Valve)
104	690739	1	PIN, Float Hinge
105	809759	1	VALVE, Float Needle
108	844652	1	VALVE, Choke
117A	844649	1	JET, Main -(Standard) (Right Jet)
117A	842095	1	JET, Main -(Standard) (Left Jet)
118A	842739	1	JET, Main -(High Altitude) (Right Jet)
118A	842738	1	JET, Main -(High Altitude) (Left Jet)
121	843297	1	KIT, Carburetor Overhaul -(Service Kits may include extra parts not specific to this engine.)
122	846245	1	SPACER, Carburetor
125A	845273	1	CARBURETOR
130	841913	2	VALVE, Throttle
131	845038	1	KIT, Throttle Shaft
133	809637	1	FLOAT, Carburetor
137	809645	1	GASKET, Float Bowl
141	845036	1	KIT, Choke Shaft
147A	842069	2	NOZZLE, Carburetor
163	807375	1	GASKET, Air Cleaner
186	845121	1	CONNECTOR, Hose
187	791766	1	LINE, Fuel
187B	844524	1	LINE, Fuel
231	690718	4	SCREW -(Choke Valve)
240	845125	1	FILTER, Fuel
276	806476	1	WASHER, Sealing
365A	-----	1	SCREW -(Part information located in Air Cleaner Group.)
385A	807084	2	SCREW -(Fuel Pump)
387A	84003048	1	PUMP, Fuel
527A	807116	1	CLAMP, Tube
601	844405	1	CLAMP, Hose
601C	691038	2	CLAMP, Hose
633	809641	1	SEAL, Choke/Throttle Shaft
788	844528	1	BRACKET, Fuel Pump
789B	843364	1	HARNESS, Wiring
918	844525	1	HOSE, Vacuum
947	842109	1	SOLENOID, Fuel
964A	809640	1	CAP, Connector
975	842106	1	BOWL, Float
987	809639	2	SEAL, Choke/Throttle Shaft
1091	691515	2	CAP, Limiter
1127	809715	4	SCREW -(Float Bowl to Carburetor Body)
1425	844712	1	HOSE, Purge Line



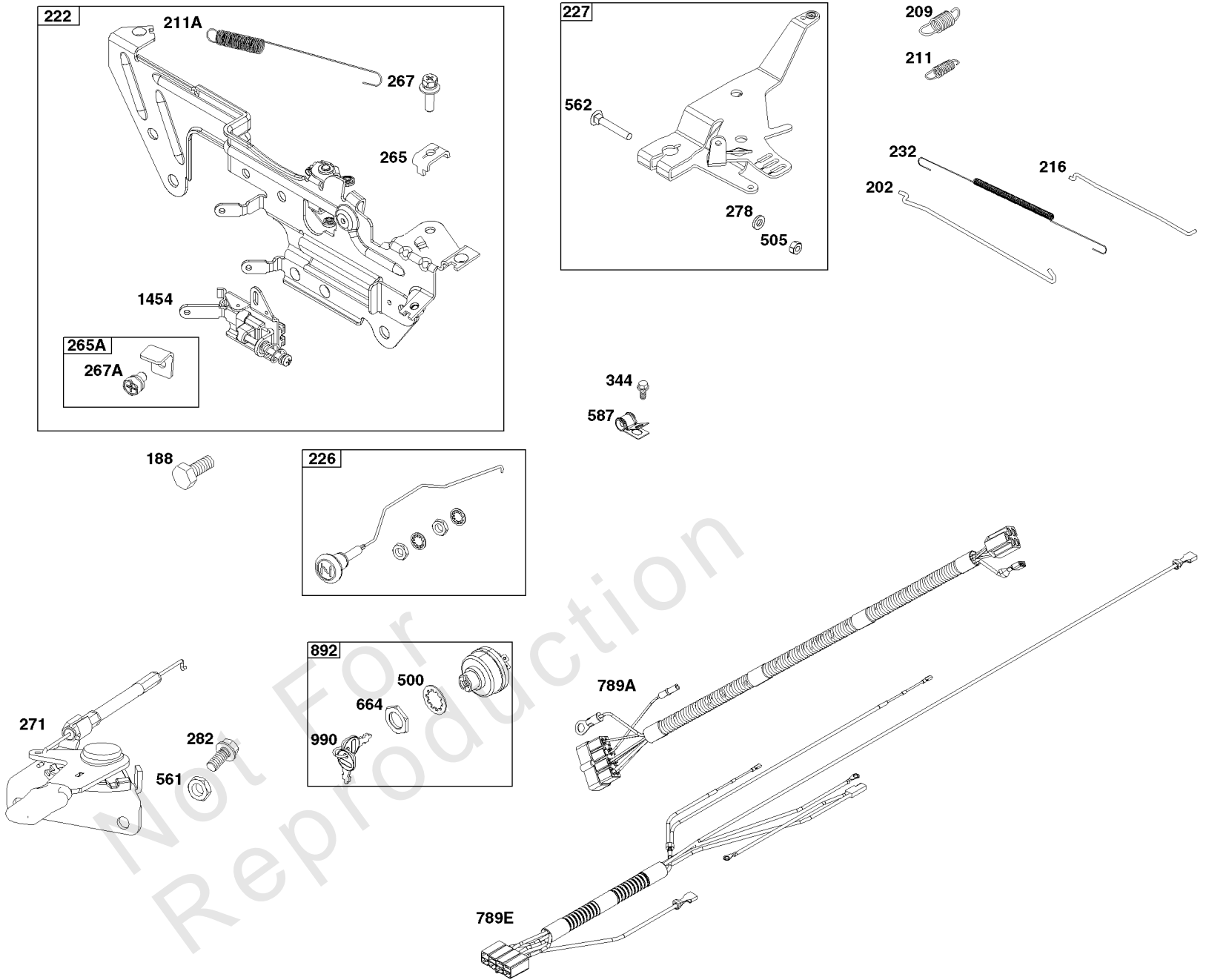
## *Carburetor and Fuel Supply Group*

---

REF NO	PART NO	QTY	DESCRIPTION
1444	845039	1	KIT, Choke Shaft Seal

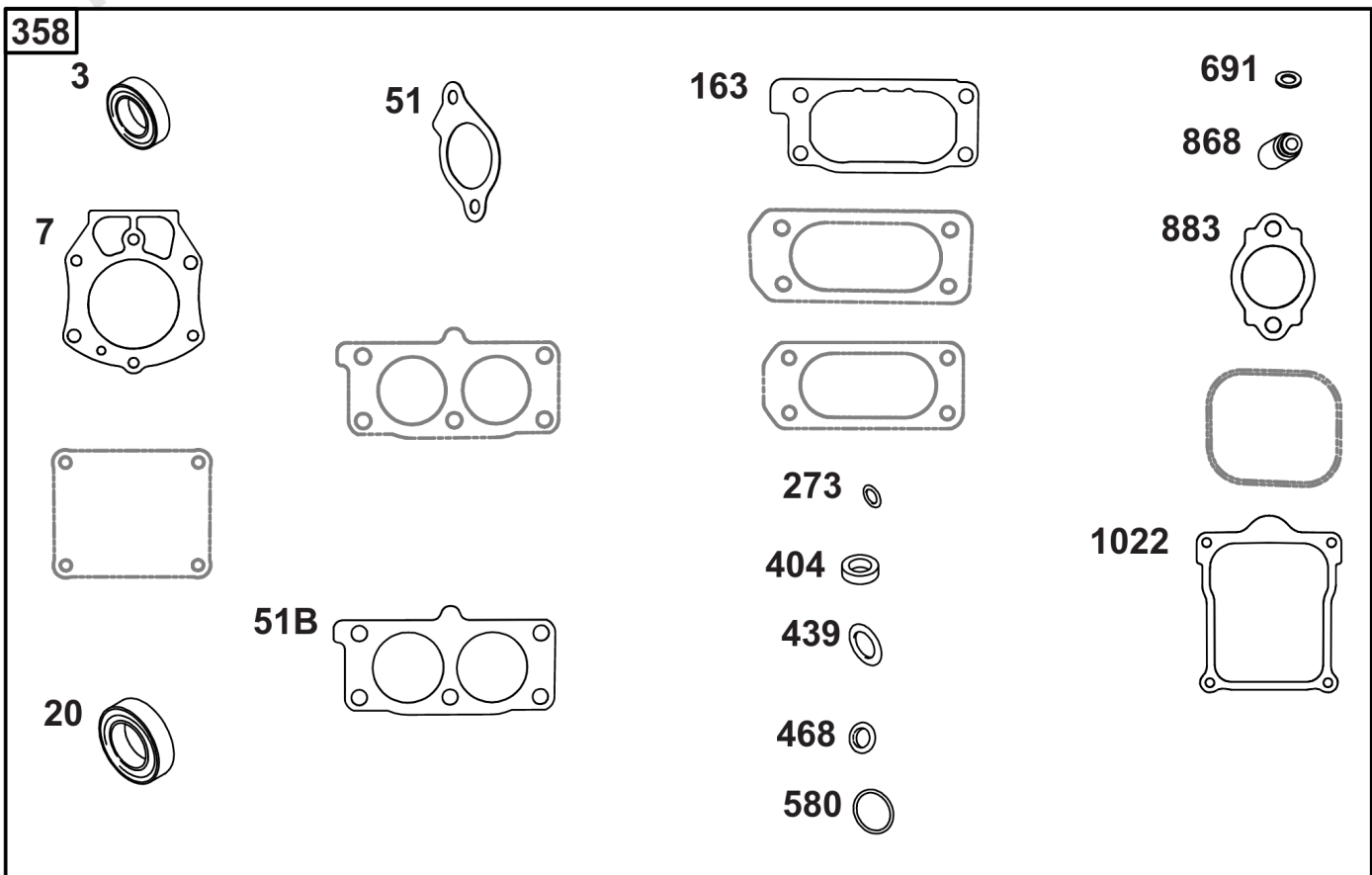
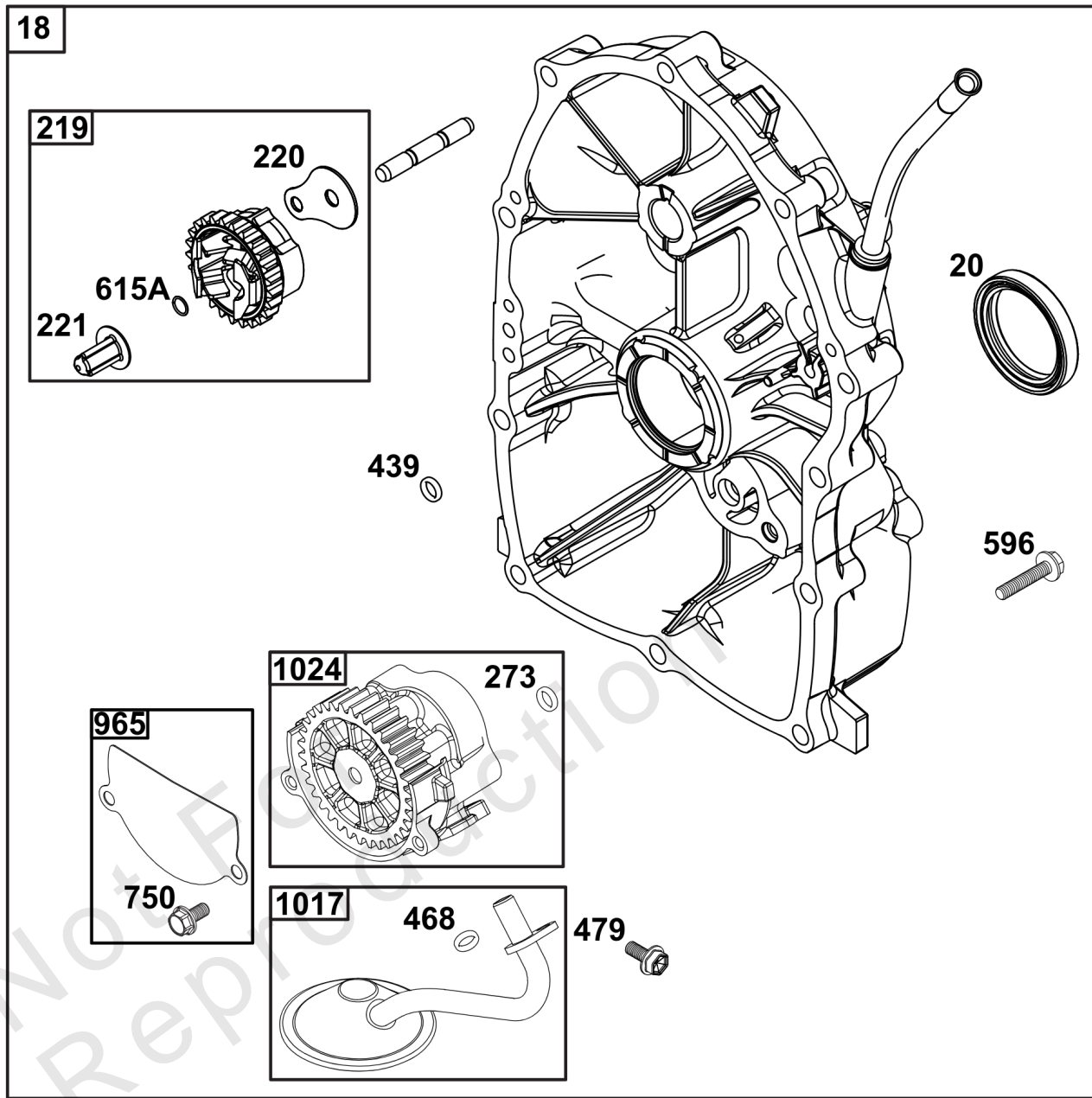
---

Not For Reproduction



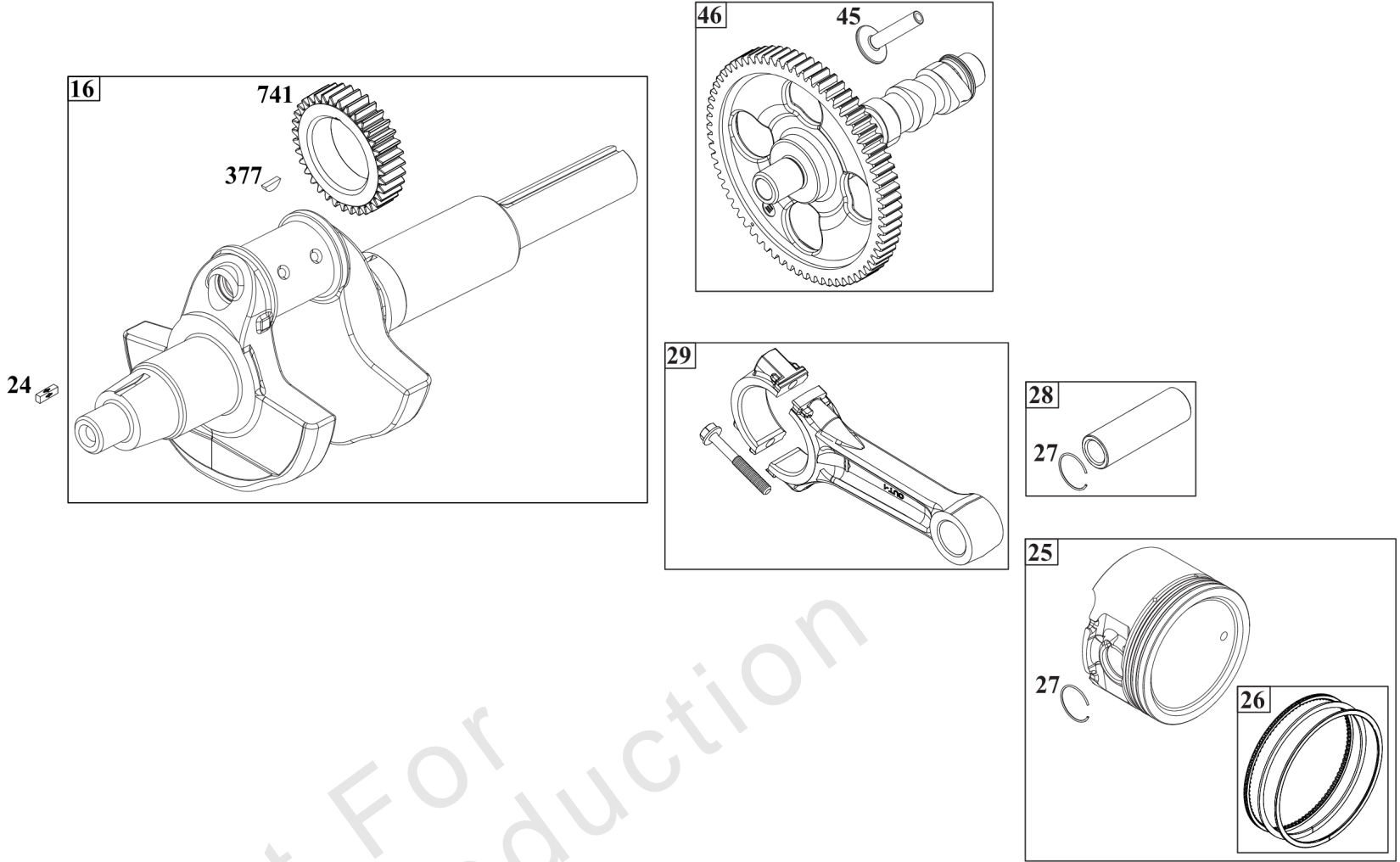
## Controls Group

REF NO	PART NO	QTY	DESCRIPTION
188	692062	4	SCREW -(Control Bracket)
202	841322	1	LINK, Mechanical Governor
209	841684	1	SPRING, Governor
211	809875	1	SPRING, Governed Idle
211A	690707	1	SPRING, Governed Idle
216	845297	1	LINK, Choke
222	841528	1	BRACKET, Control
226	841613	1	ROD, Choke
227	809984	1	LEVER, Governor Control
232	690545	1	SPRING/LINK, Governor
265	691024	2	CLAMP, Casing
265A	841673	1	CLAMP, Casing
267	841552	2	SCREW -(Casing Clamp)
267A	841552	1	SCREW
271	692541	1	LEVER, Control
278	842122	1	WASHER -(Governor Control Lever)
282	841552	2	SCREW
344	841233	1	SCREW
500	847144	1	SET, Washer/Nut -(Key Switch)
505	844752	1	NUT -(Governor Control Lever)
561	690713	1	NUT -(Control Lever)
562	843344	1	BOLT -(Governor Control Lever)
587	846866	1	CLAMP, Cable
664	691087	1	NUT -(Key Switch)
789A	809967	1	HARNESS, Wiring
789E	847060	1	HARNESS, Wiring
892	595428	1	SWITCH, Key
990	691959	1	SET, Key
1454	845807	1	SLIDER, Governor



## Crankcase Cover/Sump Group

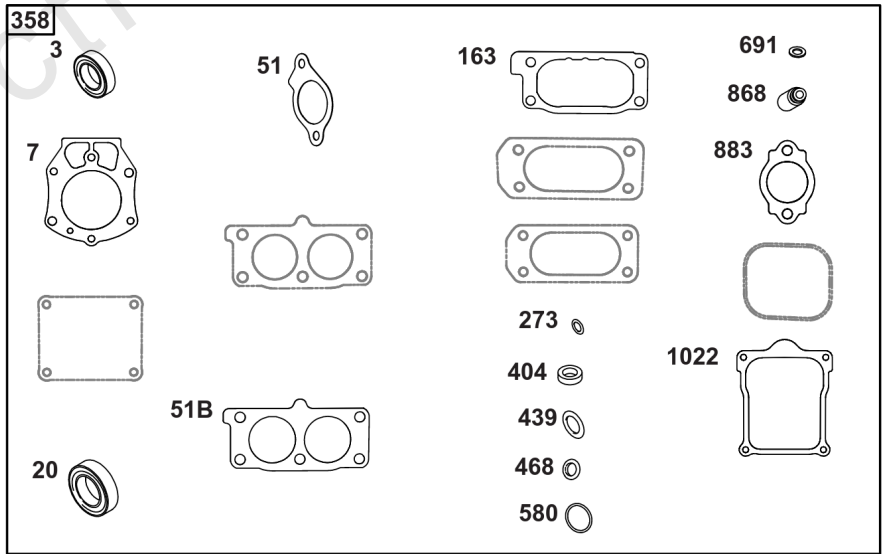
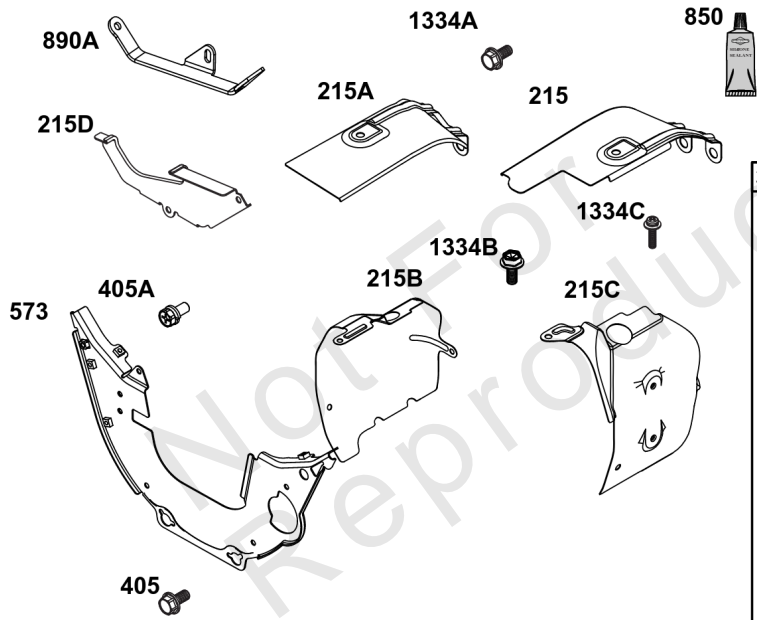
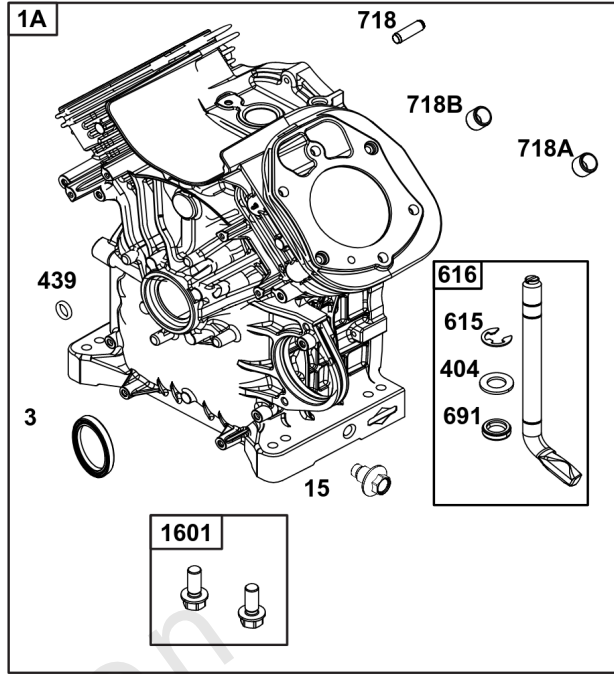
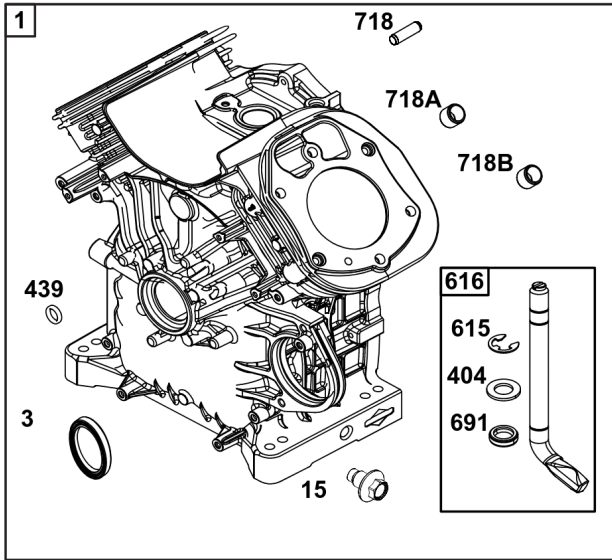
REF NO	PART NO	QTY	DESCRIPTION
3	-----	1	SEAL, Oil -(Part information located in Cylinder Group.)
7	-----	2	GASKET, Cylinder Head -(Part information located in Cylinder Head Group.)
18	848359	1	COVER, Crankcase
20	841596	1	SEAL, Oil -(PTO Side)
22	807362	11	SCREW -(Crankcase Cover/Sump)
51	-----	2	GASKET, Intake -(Part information located in Cylinder Head Group.)
51B	-----	3	GASKET, Intake -(Part information located in Cylinder Head Group.)
163	-----	1	GASKET, Air Cleaner -(Part information located in Carburetor and Fuel Supply Group.)
219	809426	1	GEAR, Governor
220	841608	1	WASHER -(Governor Gear)
221	841026	1	CUP, Governor
273	-----	2	SEAL, O-Ring -(Part information located in Lubrication Group.)
358	841122	1	GASKET SET, Engine -(Service Kits may include extra parts not specific to this engine.)
404	-----	1	WASHER -(Part information located in Cylinder Group.)
439	692154	2	O-RING, Oil Gallery -(Crankcase Cover/Sump or Cylinder Assembly)
468	-----	1	SEAL, O-Ring -(Part information located in Lubrication Group.)
479	-----	1	SCREW -(Part information located in Lubrication Group.)
580	-----	1	SEAL, O-Ring -(Part information located in Cylinder Head Group.)
596	-----	2	SCREW -(Part information located in Lubrication Group.)
615A	698290	1	RETAINER, Governor Shaft
691	-----	1	SEAL, Governor Shaft -(Part information located in Cylinder Group.)
750	-----	2	SCREW -(Part information located in Lubrication Group.)
850	100106	1	SEALANT, Liquid
868	-----	4	SEAL, Valve -(Part information located in Cylinder Head Group.)
883	-----	2	GASKET, Exhaust -(Part information located in Exhaust Group.)
965	-----	1	COVER, Oil Pump -(Part information located in Lubrication Group.)
1017	-----	1	SCREEN, Oil Pump -(Part information located in Lubrication Group.)
1022	-----	2	GASKET, Rocker Cover -(Part information located in Cylinder Head Group.)
1024	-----	1	PUMP, Oil -(Part information located in Lubrication Group.)



## Crankshaft Group

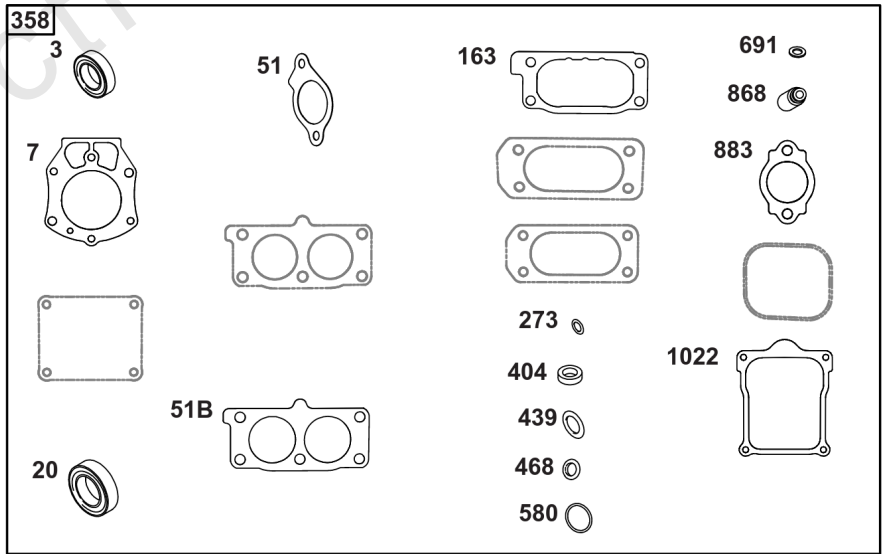
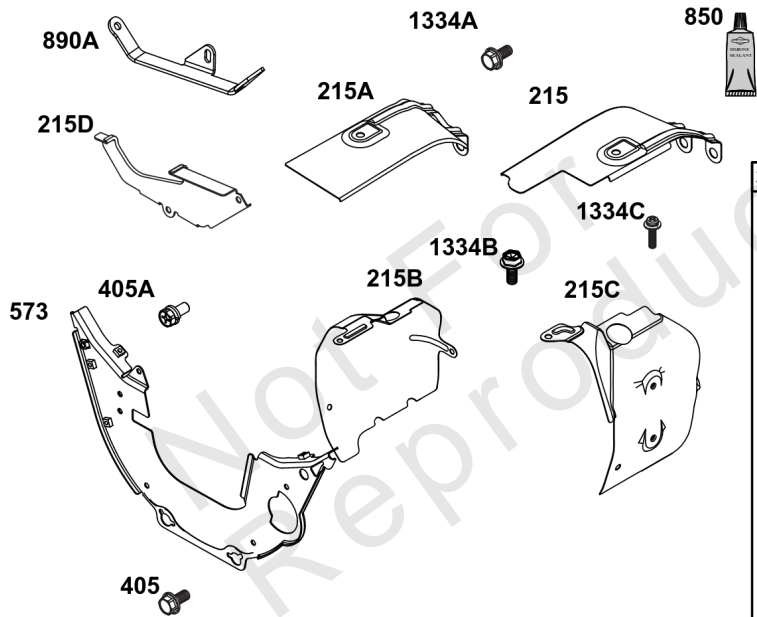
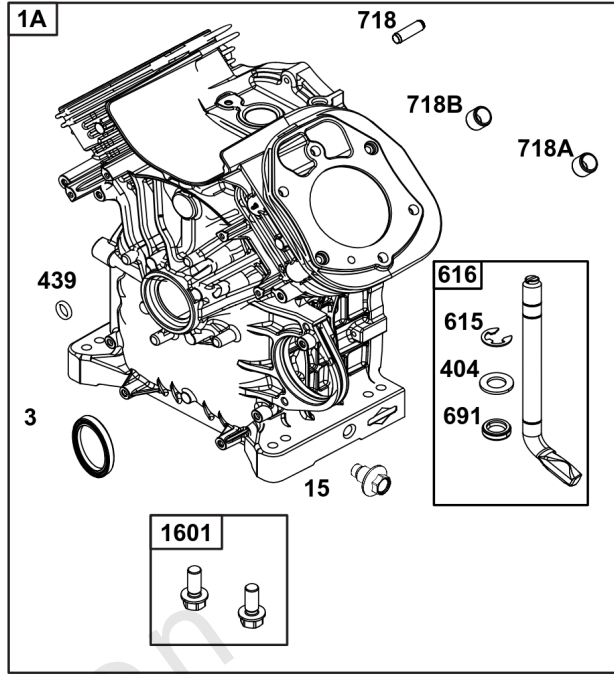
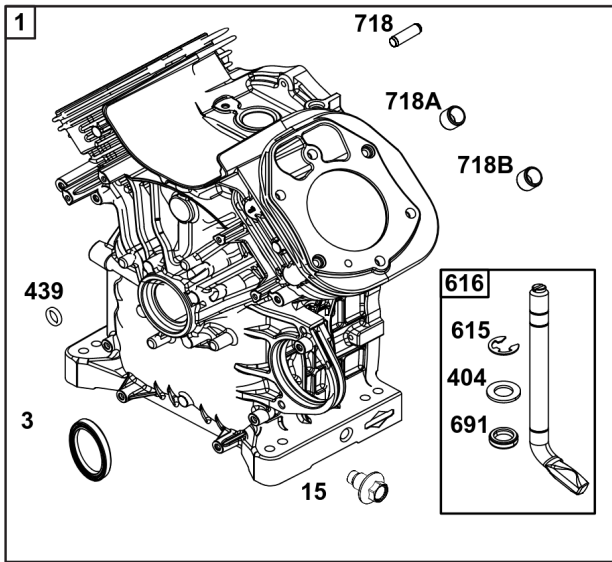
REF NO	PART NO	QTY	DESCRIPTION
16	848305	1	CRANKSHAFT
24	796335	1	KEY, Flywheel
25	841837	2	PISTON ASSEMBLY -(Standard)
26	809972	2	SET, Ring -(Standard)
27	807351	4	LOCK, Piston Pin
28	807361	2	PIN, Piston
29	841838	2	ROD, Connecting
45	-----	4	TAPPET, Valve -(Part information located in Cylinder Head Group.)
46	847381	1	CAMSHAFT
377	691639	1	KEY, Woodruff
741	809432	1	GEAR, Timing

Not For Reproduction



## Cylinder Group

REF NO	PART NO	QTY	DESCRIPTION
1	848363	1	CYLINDER ASSEMBLY
1A	84013609	1	CYLINDER ASSEMBLY
3	841596	1	SEAL, Oil -(Magneto Side)
7	-----	2	GASKET, Cylinder Head -(Part information located in Cylinder Head Group.)
15	807392	2	PLUG, Oil Drain
20	-----	1	SEAL, Oil -(Part information located in Crankcase Cover/Sump Group.)
51	-----	2	GASKET, Intake -(Part information located in Cylinder Head Group.)
51B	-----	3	GASKET, Intake -(Part information located in Cylinder Head Group.)
163	-----	1	GASKET, Air Cleaner -(Part information located in Carburetor Group.)
215	809728	1	GUIDE, Air
215A	809737	1	GUIDE, Air
215B	809897	1	GUIDE, Air
215C	809738	1	GUIDE, Air
215D	809739	1	GUIDE, Air
273	-----	2	SEAL, O-Ring -(Part information located in Lubrication Group.)
358	-----	1	GASKET SET, Engine -(Part information located in Crankcase Cover/Sump Group.)
404	809436	1	WASHER -(Governor Crank)
405	841233	3	SCREW -(Back Plate)
405A	841735	1	SCREW -(Back Plate)
439	-----	2	O-RING, Oil Gallery -(Part information located in Lubrication Group.)
468	-----	1	SEAL, O-Ring -(Part information located in Lubrication Group.)
573	842712	1	PLATE, Back
580	-----	1	SEAL, O-Ring -(Part information located in Lubrication Group.)
615	809533	3	RETAINER, Governor Shaft
616	844180	1	CRANK, Governor
691	809287	1	SEAL, Governor Shaft
718	690959	2	PIN, Locating
718A	809508	4	PIN, Locating
718B	845925	1	PIN, Locating
850	-----	1	SEALANT, Liquid
868	-----	4	SEAL, Valve -(Part information located in Cylinder Head Group.)
883	-----	2	GASKET, Exhaust -(Part information located in Exhaust Group.)
890A	841614	1	BRACKET, Support
1022	-----	2	GASKET, Rocker Cover -(Part information located in Cylinder Head Group.)
1334A	841233	4	SCREW -(Air Guide)
1334B	807084	3	SCREW -(Air Guide)
1334C	690677	2	SCREW -(Air Guide)



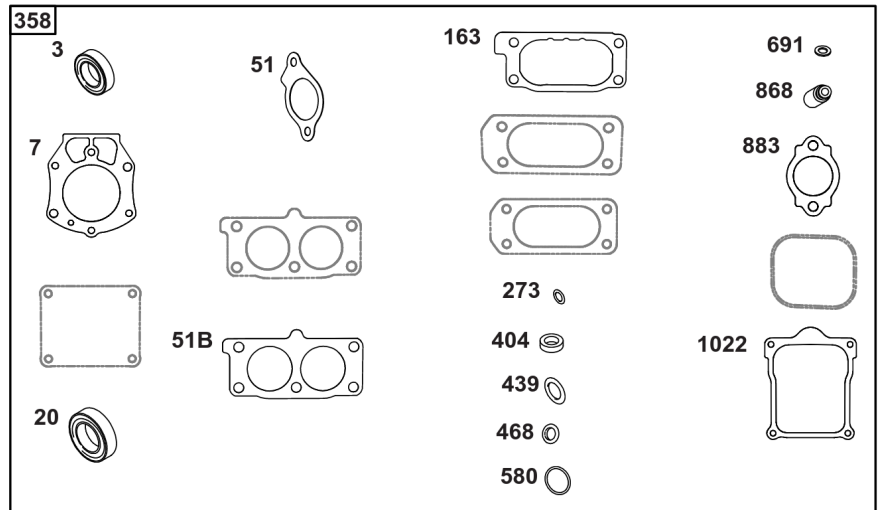
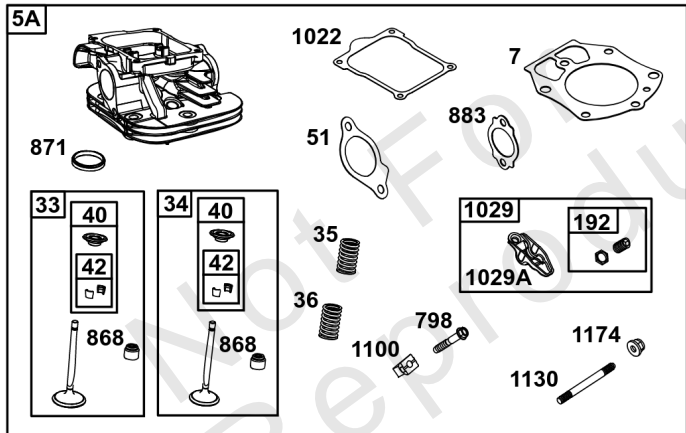
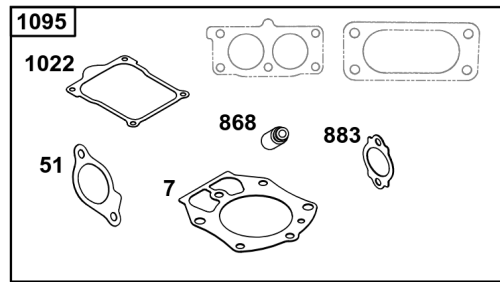
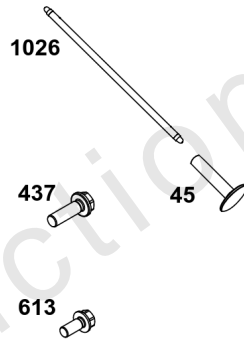
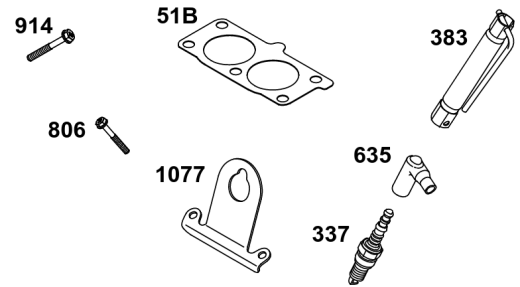
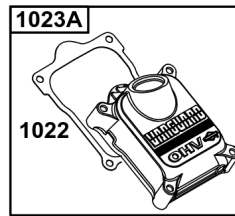
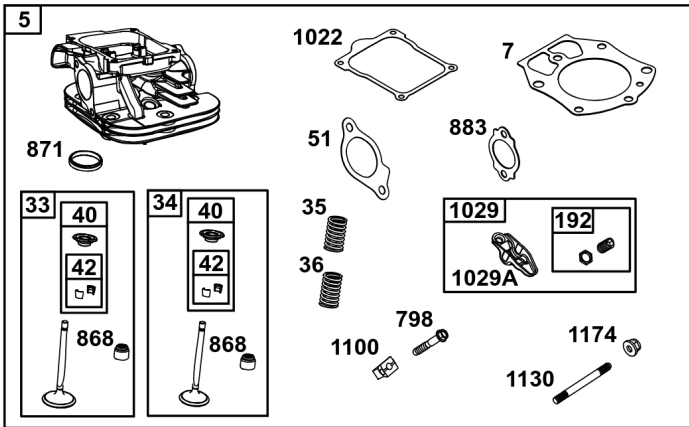
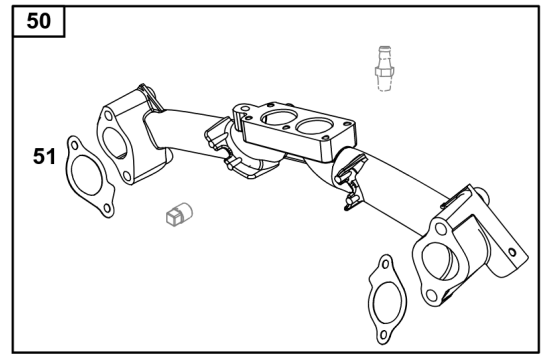
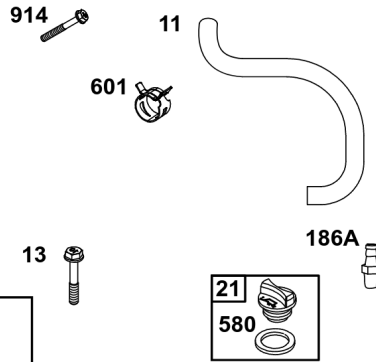
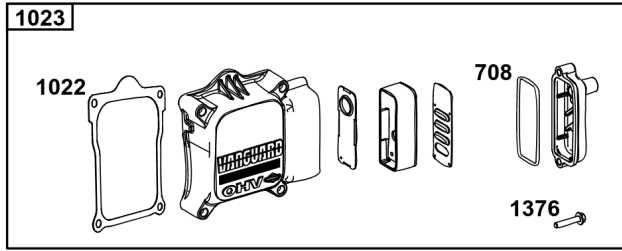
## Cylinder Group

---

REF NO	PART NO	QTY	DESCRIPTION
1601	84013604	1	KIT, Hardware -"Only For Use  With Reference 1A"

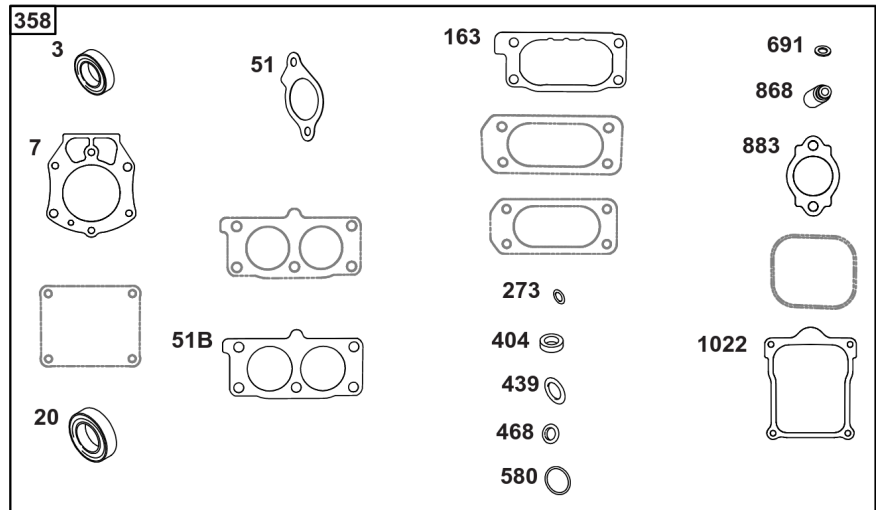
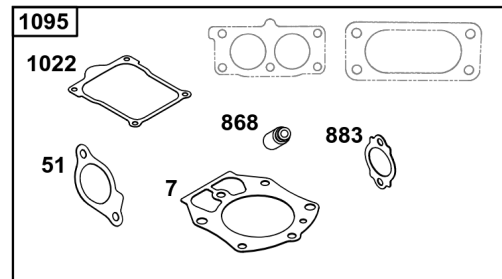
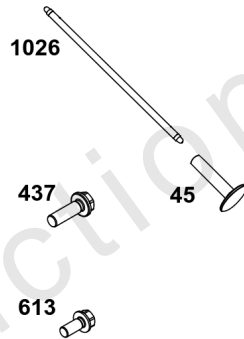
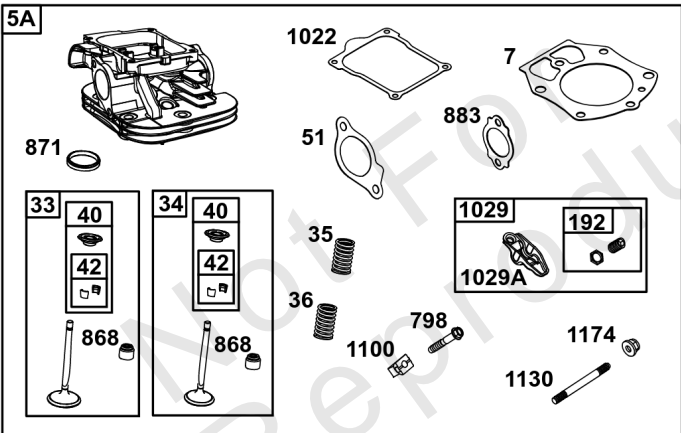
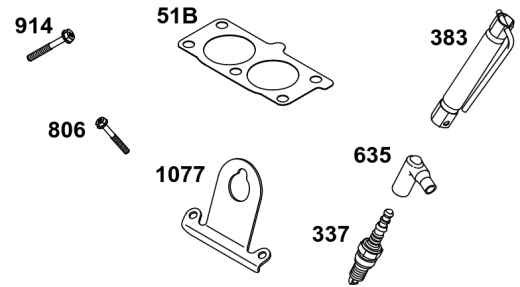
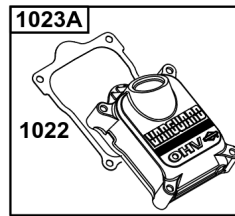
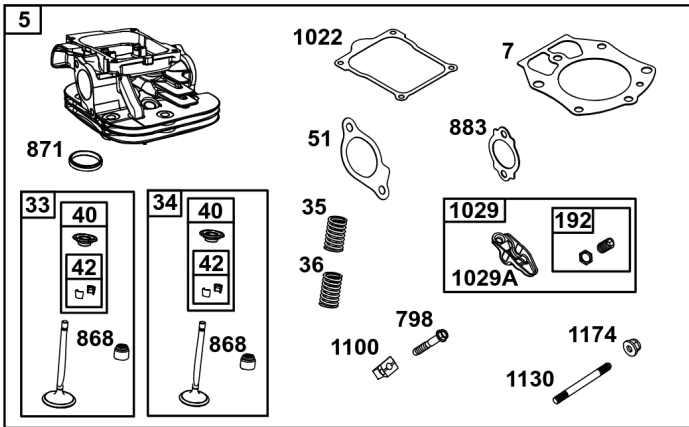
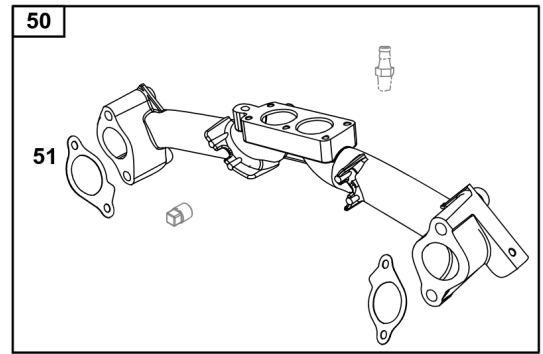
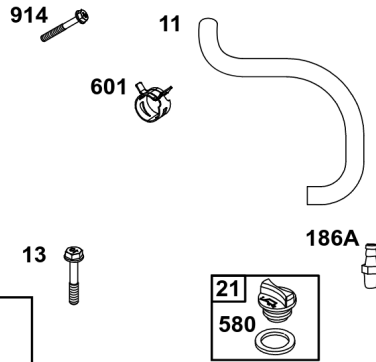
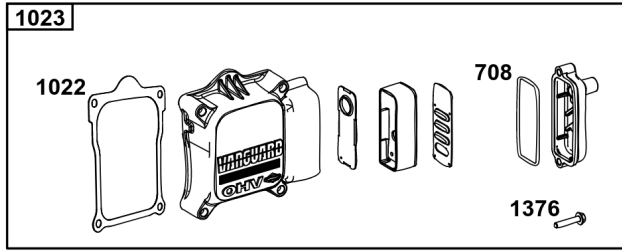
---

Not For Reproduction



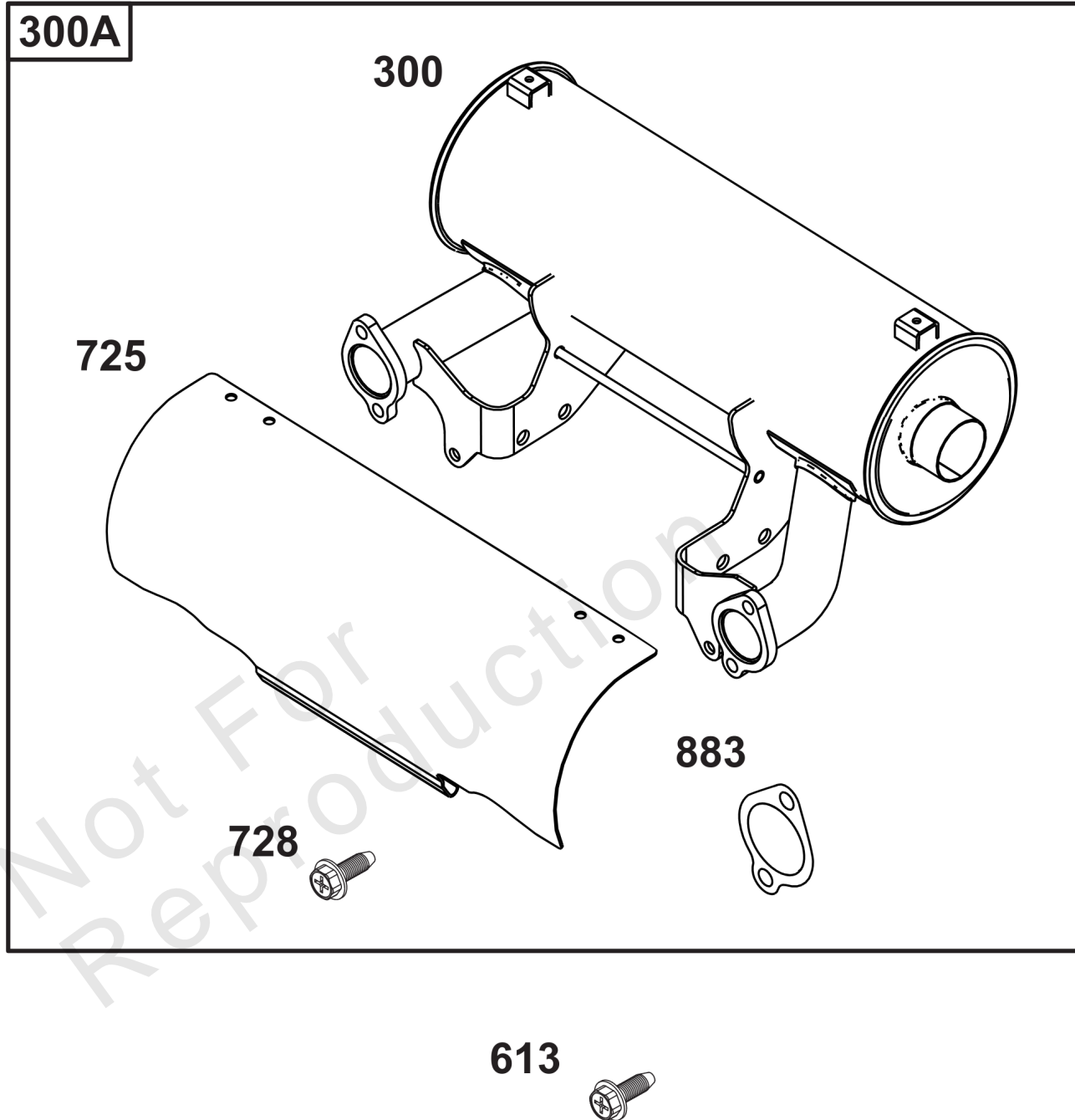
## Cylinder Head Group

REF NO	PART NO	QTY	DESCRIPTION
3	-----	1	SEAL, Oil -(Part information located in Cylinder Group.)
5	848344	1	HEAD, Cylinder -(Cylinder #1)
5A	848345	1	HEAD, Cylinder -(Cylinder #2)
7	809730	2	GASKET, Cylinder Head
11	809736	1	TUBE, Breather
13	809784	12	SCREW -(Cylinder Head)
20	-----	1	SEAL, Oil -(Part information located in Crankcase Cover/Sump Group.)
21	843464	1	CAP, Oil Fill
33	844787	2	VALVE, Exhaust
34	843730	2	VALVE, Intake
35	845589	2	SPRING, Valve -(Intake) (Pink)
36	845589	2	SPRING, Valve -(Exhaust) (Pink)
40	844788	4	RETAINER, Valve
42	807683	8	KEEPER, Valve
45	809785	4	TAPPET, Valve
50	844340	1	MANIFOLD, Intake
51	847671	2	GASKET, Intake
51B	841882	3	GASKET, Intake
163	-----	1	GASKET, Air Cleaner -(Part information located in Carburetor and Fuel Supply Group.)
186A	844568	1	CONNECTOR, Hose
192	690083	4	ADJUSTER, Rocker Arm
273	-----	2	SEAL, O-Ring -(Part information located in Lubrication Group.)
337	792015	2	PLUG, Spark
358	-----	1	GASKET SET, Engine -(Part information located in Crankcase Cover/Sump Group.)
383	19576S	1	WRENCH, Spark Plug
404	-----	1	WASHER -(Part information located in Cylinder Group.)
437	846149	4	SCREW -(Exhaust Manifold)
439	-----	2	O-RING, Oil Gallery -(Part information located in Crankcase Cover/Sump Group.)
468	-----	1	SEAL, O-Ring -(Part information located in Lubrication Group.)
580	809894	1	SEAL, O-Ring -(Oil Fill Cap)
601	-----	1	CLAMP, Hose -(Part information located in Carburetor and Fuel Supply Group.)
613	692062	2	SCREW -(Muffler)
635	692076	2	BOOT, Spark Plug
691	-----	1	SEAL, Governor Shaft -(Part information located in Cylinder Group.)
708	841301	1	SEAL, O-Ring -(Breather Reed)
798	691492	4	SCREW -(Rocker Arm)
806	807357	2	SCREW -(Lifting Bracket)



## Cylinder Head Group

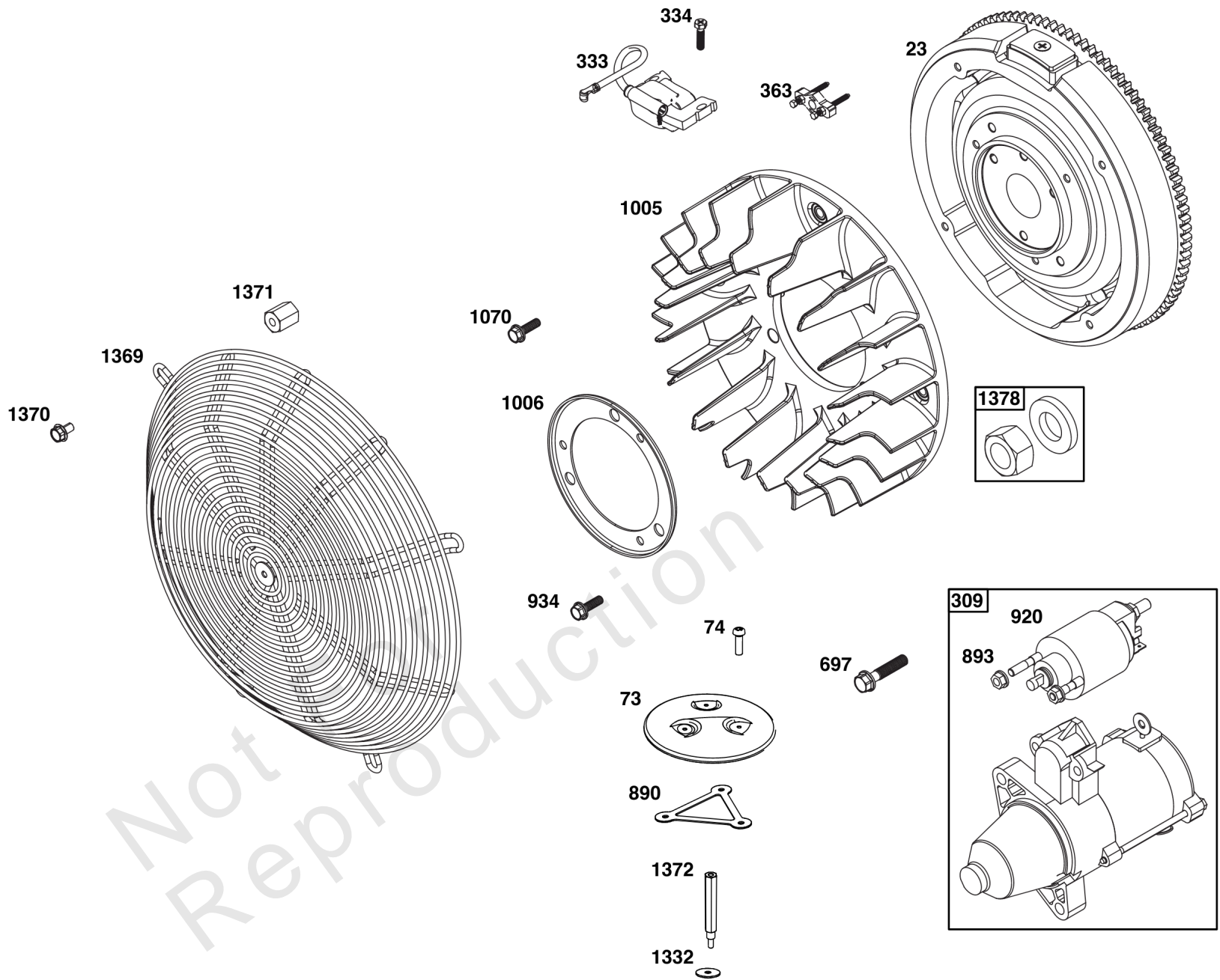
REF NO	PART NO	QTY	DESCRIPTION
868	691963	4	SEAL, Valve
871	692057	4	BUSHING, Valve Guide
883	809872	2	GASKET, Exhaust
914	807357	8	SCREW -(Rocker Cover)
1022	809732	2	GASKET, Rocker Cover
1023	809789	1	COVER, Rocker
1023A	809731	1	COVER, Rocker
1026	809783	4	ROD, Push
1029	690972	4	ARM, Rocker
1029A	807323	1	ARM, Rocker
1077	809729	1	BRACKET, Lifting
1095	843713	1	GASKET SET, Valve -(Service Kits can include parts not for this engine.)
1100	791959	4	PIVOT, Rocker Arm
1130	841590	4	STUD -(Intake Manifold)
1174	842067	4	NUT -(Intake Manifold)
1376	806421	2	SCREW -(Breather Reed Cover)



## ***Exhaust Group***

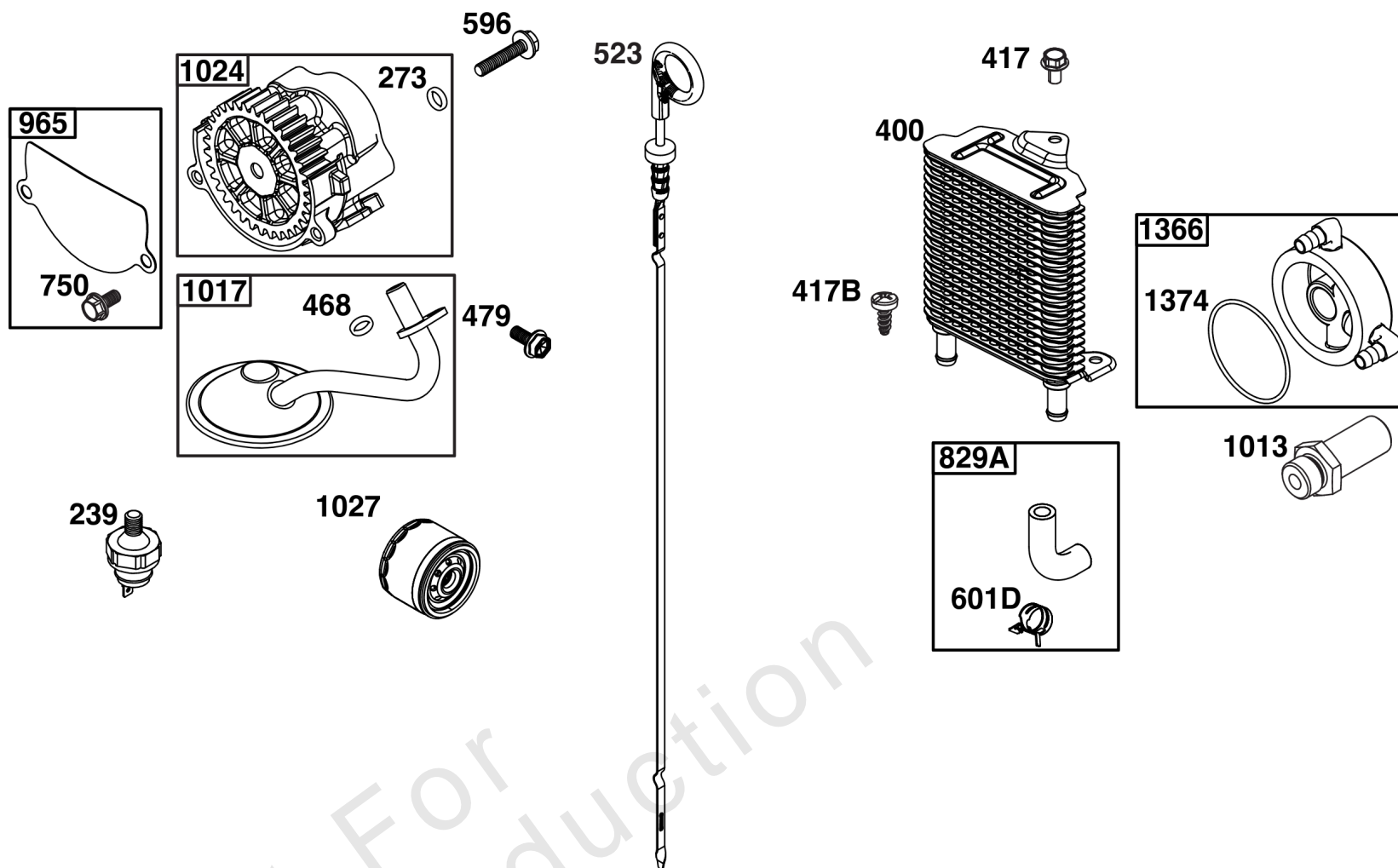
<b>REF NO</b>	<b>PART NO</b>	<b>QTY</b>	<b>DESCRIPTION</b>
300	846283	1	MUFFLER
300A	845741	1	MUFFLER
613	-----	2	SCREW -(Part information located in Cylinder Head Group.)
725	841132	1	SHIELD, Heat
728	692067	2	SCREW -(Heat Shield)
883	809872	2	GASKET, Exhaust

Not For Reproduction



## ***Flywheel, Ignition, and Starter Group***

<b>REF NO</b>	<b>PART NO</b>	<b>QTY</b>	<b>DESCRIPTION</b>
23	844385	1	FLYWHEEL
73	841840	1	SCREEN, Rotating
74	809947	3	SCREW -(Rotating Screen)
309	845760	1	MOTOR, Starter
333	845126	2	ARMATURE, Magneto
334	692066	4	SCREW -(Magneto Armature)
363	19203	1	PULLER, Flywheel
697	690711	2	SCREW -(Starter Motor) (Drive Cap)
890	809987	1	BRACKET, Support
893	845758	2	NUT -(Starter Solenoid)
920	847694	1	SOLENOID, Starter
934	807421	3	SCREW
1005	846996	1	FAN, Flywheel
1006	847198	1	RETAINER, Fan
1070	807435	4	SCREW -(Flywheel Fan)
1332	809948	3	WASHER -(Rotating Screen)
1369	842858	1	GUARD, Flywheel Fan
1370	841233	4	SCREW -(Flywheel Fan Guard)
1371	841537	4	NUT -(Flywheel Fan Guard)
1372	809946	3	STUD -(Rotating Screen)
1378	844795	1	SET, Washer/Nut



Not For  
Reproduction

## Lubrication Group

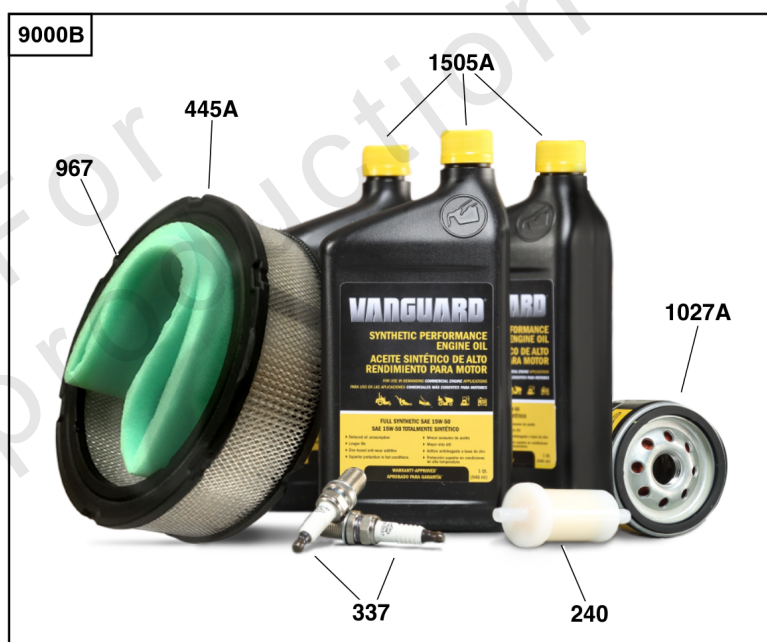
REF NO	PART NO	QTY	DESCRIPTION
239	841281	1	SWITCH, Oil Pressure
273	690681	2	SEAL, O-Ring -(Oil Pump)
400	846249	1	COOLER, Oil
417	841233	2	SCREW -(Oil Cooler)
417B	846250	1	SCREW -(Oil Cooler)
468	690690	1	SEAL, O-Ring -(Oil Pump Screen)
479	807084	1	SCREW -(Oil Pump Screen)
523	841007	1	DIPSTICK
596	691492	2	SCREW -(Oil Pump)
601D	845209	2	CLAMP, Hose
750	841233	2	SCREW -(Oil Pump Cover)
829A	846260	2	HOSE, Oil Cooler
965	809422	1	COVER, Oil Pump
1013	841602	1	NIPPLE, Oil Filter
1017	809421	1	SCREEN, Oil Pump
1024	845983	1	PUMP, Oil
1027	842921	1	FILTER, Oil
1366	841510	1	DIVERTER, Oil Cooler
1374	796863	1	SEAL, O-Ring -(Oil Cooler Diverter)

## Replacement Engine - US & Canada

REF NO	PART NO	QTY	DESCRIPTION
	6134773048J1		ENGINE
	791244	1	Replacement Short Block
	-----		Idle Speed: 1750
	-----		Top No-Load Speed: 3600
	-----		Service Note: Transfer Muffler and/or Spark Arrester Assembly from the original engine if suitable for additional service or add new parts as required
	-----		Service Note: Transfer Governed Idle Spring to the Replacement Engine.

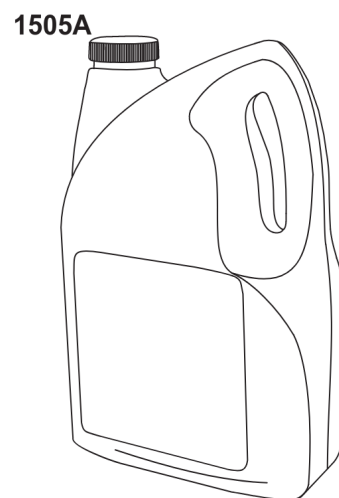
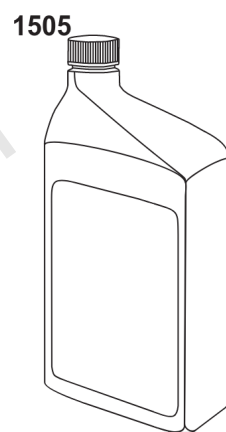
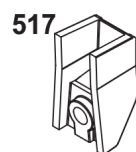
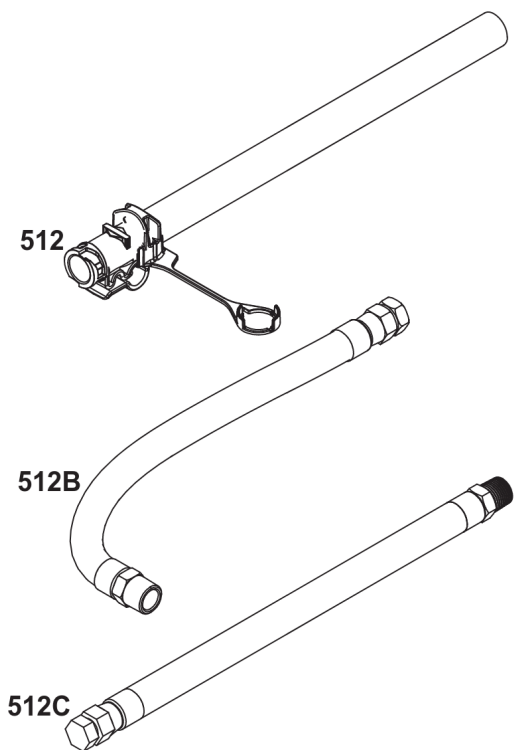
Not For Reproduction





## Maintenance Kits

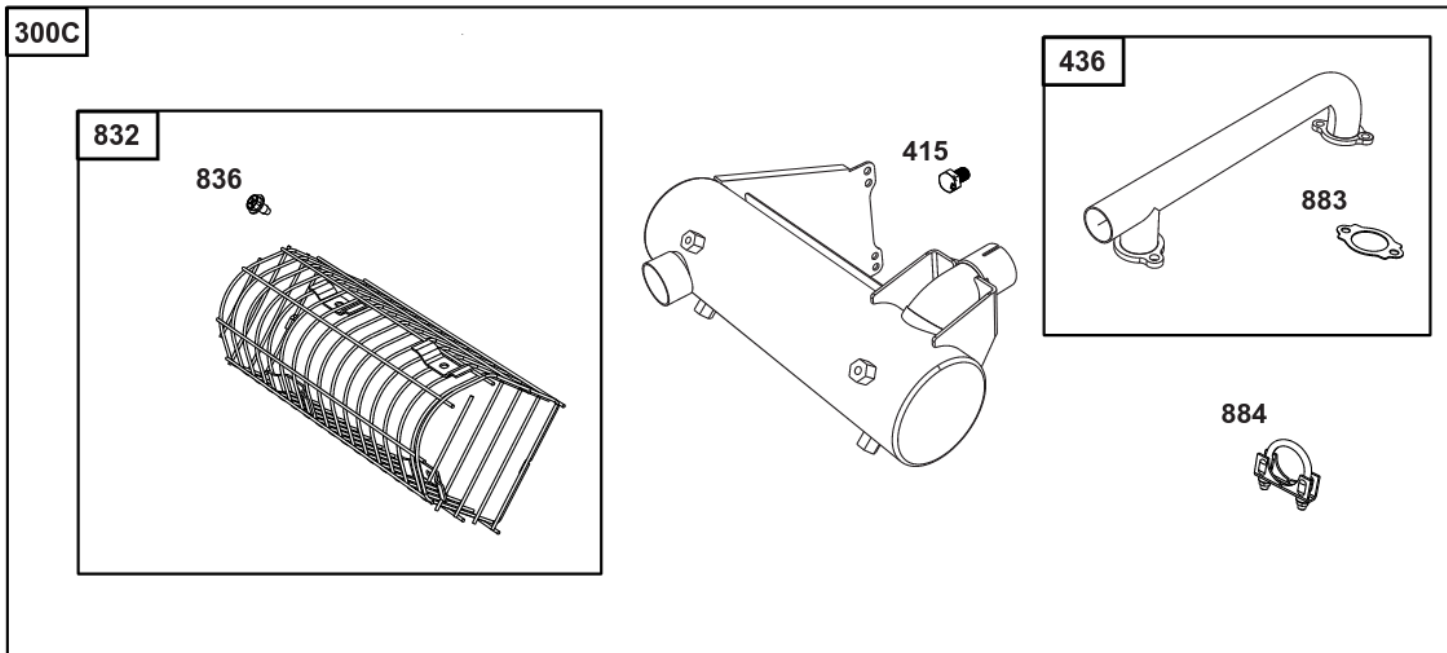
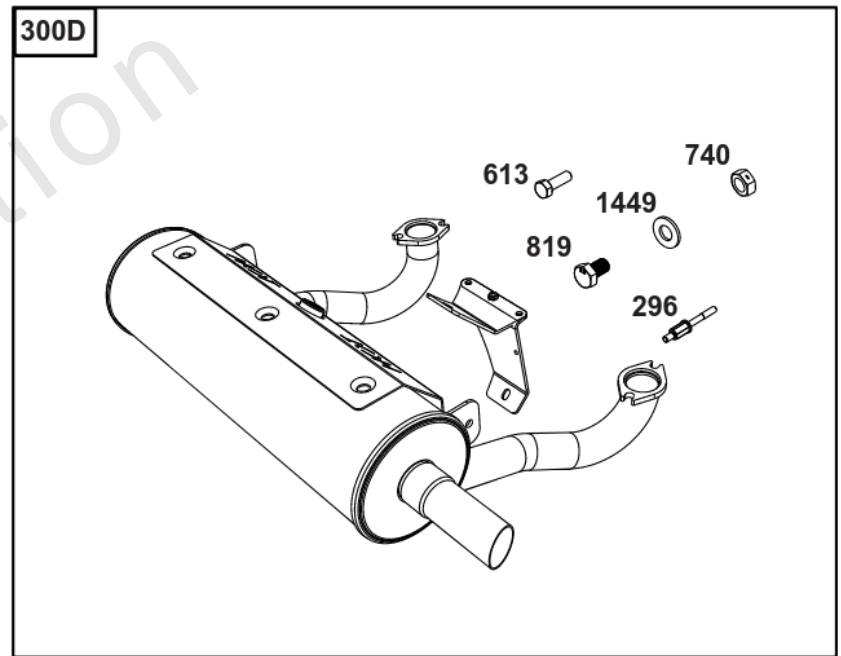
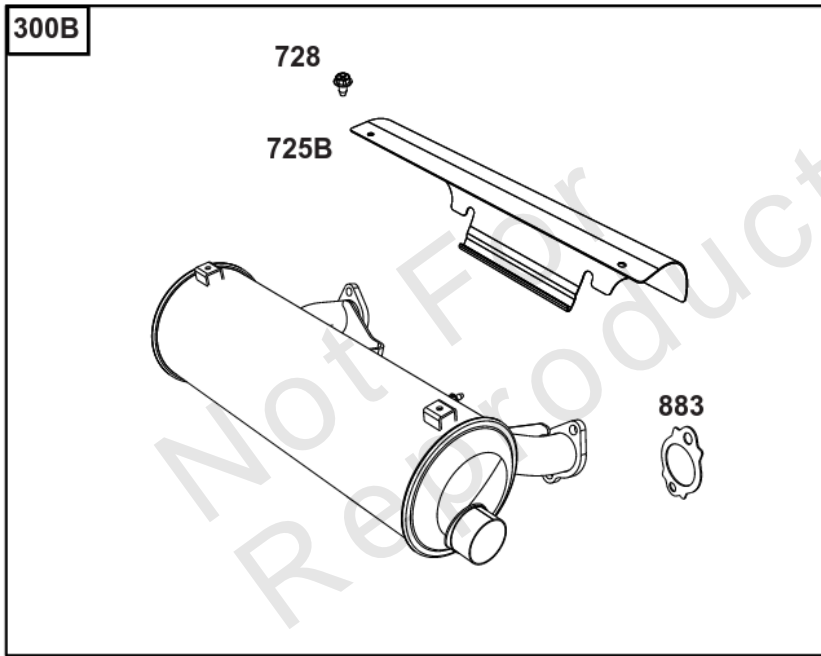
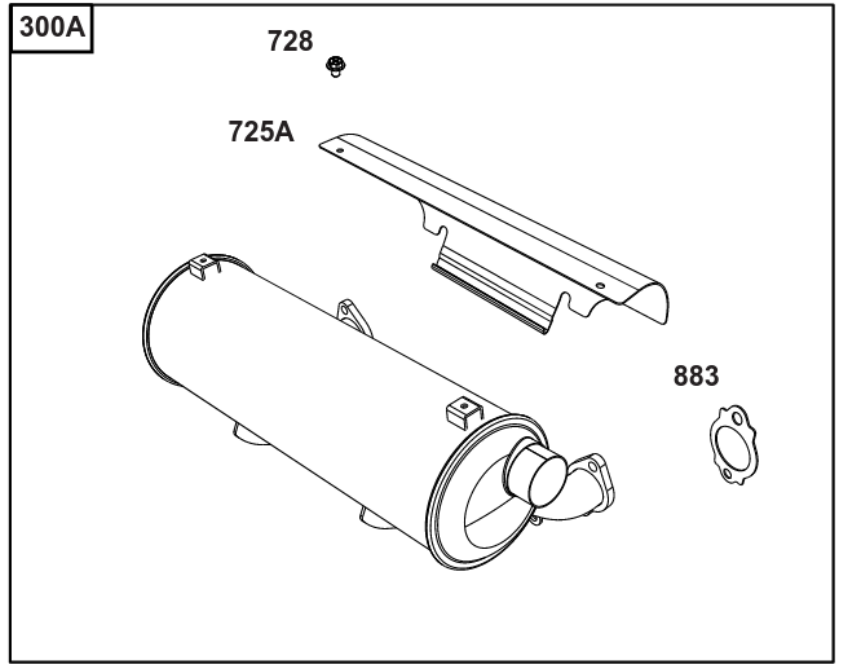
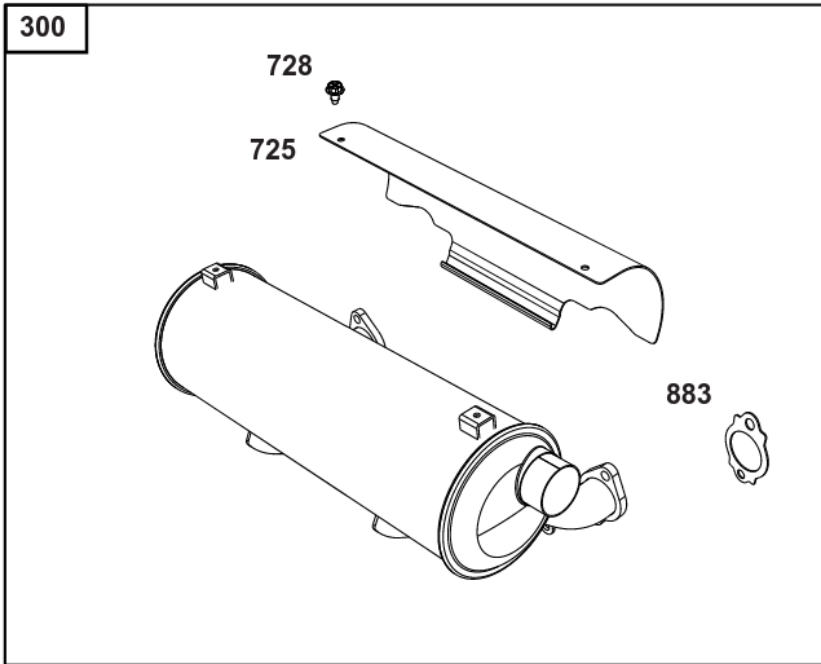
REF NO	PART NO	QTY	DESCRIPTION
9000	84002318		KIT, Maintenance -(Oil Guard™ Engines)
9000A	84002315		KIT, Maintenance -(Non-Oil Guard™ Engines)
9000B	84004936		KIT, Maintenance -(Non-Oil Guard™ Engines) (20 - 40 HP)
240	845125	1	FILTER, Fuel
337	491055S	2	PLUG, Spark
445	841497	1	FILTER, A/C Cartridge -"Professional / PXi" & "Commercial / CXi".
445A	692519	1	FILTER, A/C Cartridge -"Professional / PXi" & "Commercial / CXi".
967	692520	1	FILTER, Pre Cleaner
1027	595930	1	FILTER, Oil -(Oil Guard™)
1027A	842921	1	FILTER, Oil -(Vanguard®)
1505	100170		OIL-5QT VANGUARD (CASE) -(5 qt Bottle)
1505A	100169		OIL-1QT VANGUARD (CASE) -(1 qt Bottle)



Not For  
Reproduction

## Lubrication

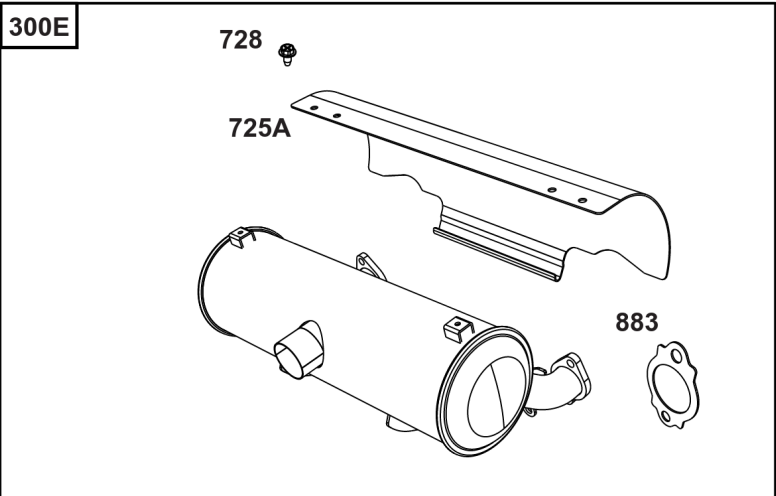
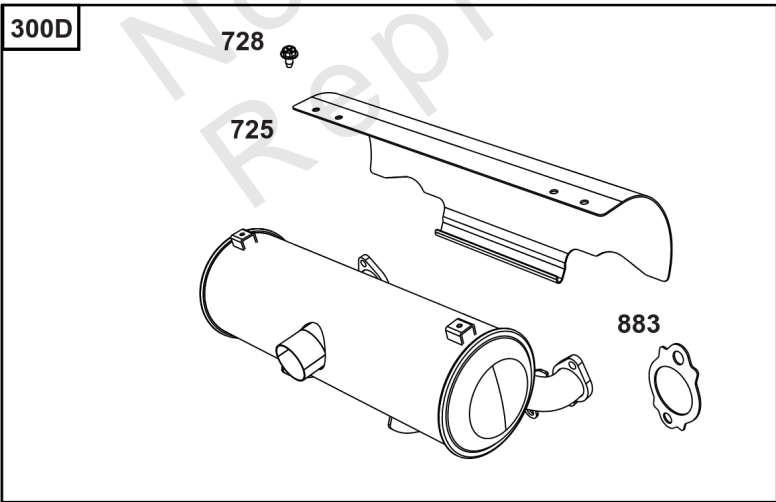
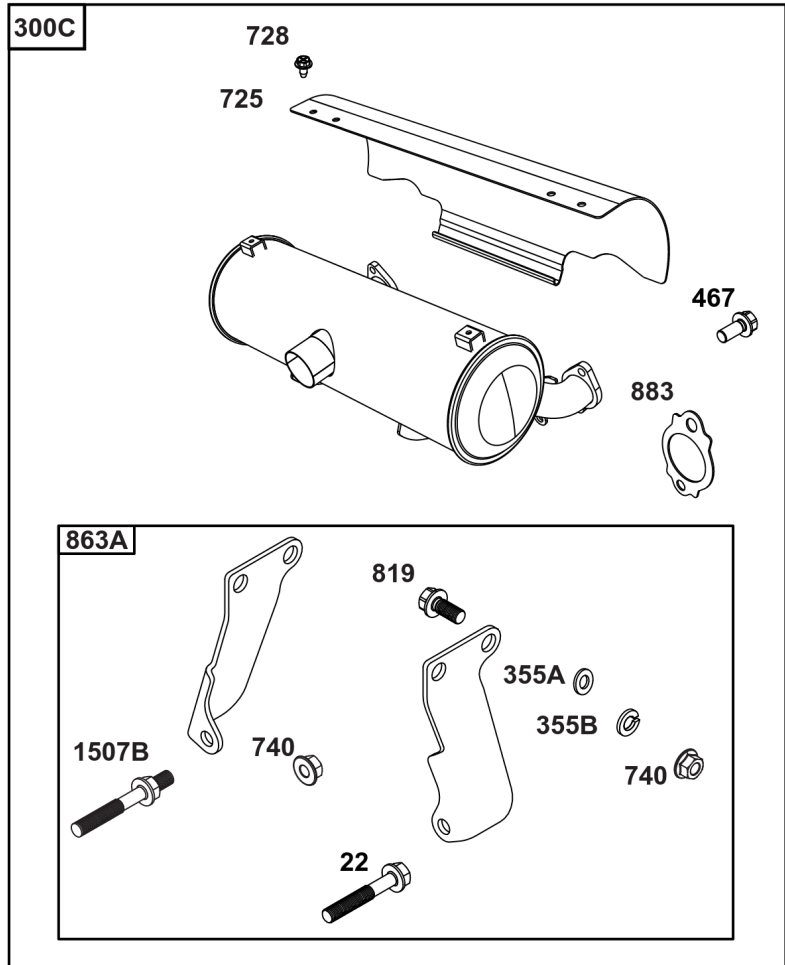
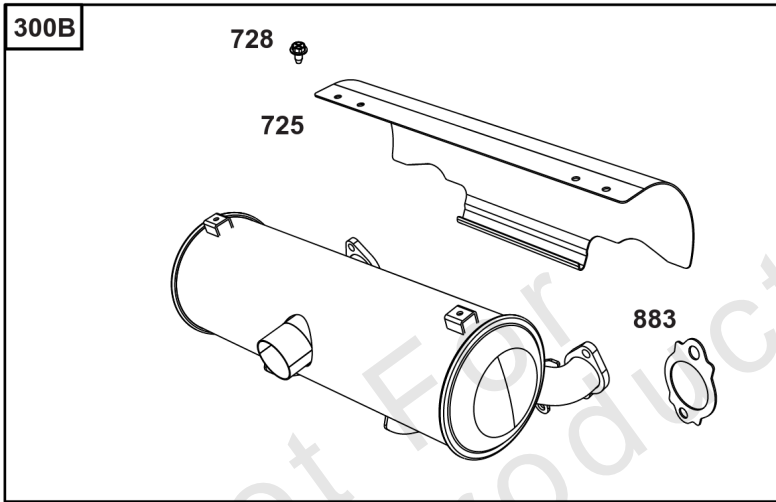
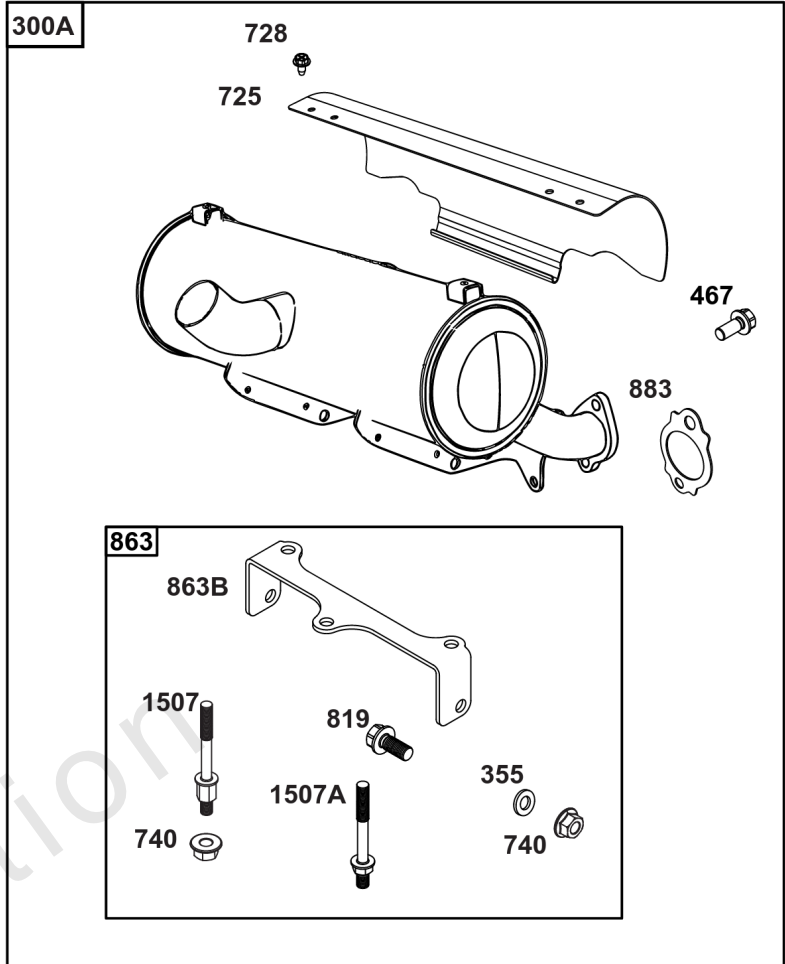
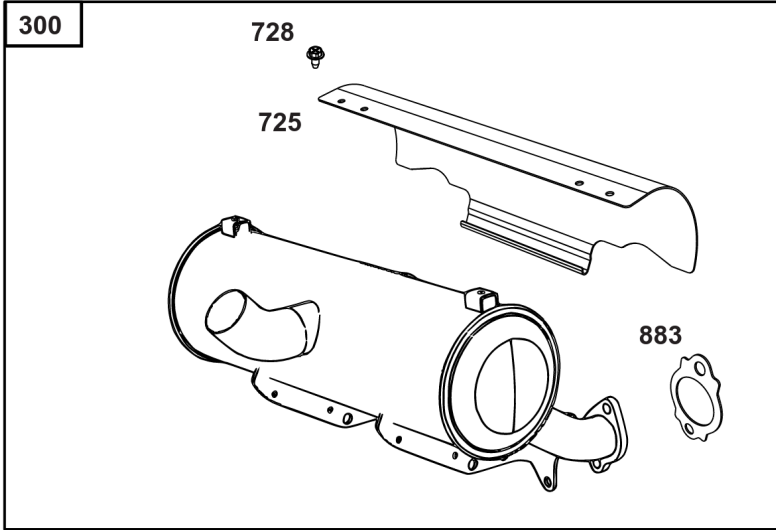
REF NO	PART NO	QTY	DESCRIPTION
186	796532	1	CONNECTOR, Hose -(Threaded Engine Block Connector for EZ-Oil Drain Hose)(Order hose separate)
239	690233	1	SWITCH, Oil Pressure -(2-4 PSI Normally-Closed Switch)
239A	491657S	1	SWITCH, Oil Pressure -(3-5 PSI Normally-Closed Switch)
239B	841281	1	SWITCH, Oil Pressure -(7-10 PSI Normally-Closed Switch)
239C	694115	1	SWITCH, Oil Pressure -(9-13 PSI Normally-Closed Switch)
239D	697049	1	SWITCH, Oil Pressure -(3-6 PSI Normally-Open Switch)
460	1761386YP	1	CONNECTOR, Filter Adapter -(Oil Drain Valve) (Fitting M14, 90 Degree 9/16 JIC)
460A	5100366SM	1	METRIC ADAPTER, M14-1 -(Threaded engine block adapter M14 to 3/8 for EZ-Oil Drain connector) (order 796532 separate)
512	594200	1	HOSE, Oil Drain -(EZ-Oil Drain Hose, 10.5") (Order threaded engine block connector separate)
512	593635	1	HOSE, Oil Drain -(EZ-Oil Drain Hose, 13.75") (Order threaded engine block connector separate)
512B	1723165SM	1	HOSE, Oil Drain, 10-1/2" Long, 3/8-18 Fittings -(10.5")
512C	5048681SM	1	HOSE, OIL DRAIN -(12.5")
517	593633	1	RETAINER, Oil Drain
1346	844802	1	VALVE, Oil Drain Shut Off
1346A	492031	1	VALVE, Oil Drain Shut Off
1505	100169		OIL-1QT VANGUARD (CASE) -(1 qt. Bottle)
1505A	100170		OIL-5QT VANGUARD (CASE) -(5 qt. Bottle)



## Oil Filter Side Outlet Mufflers

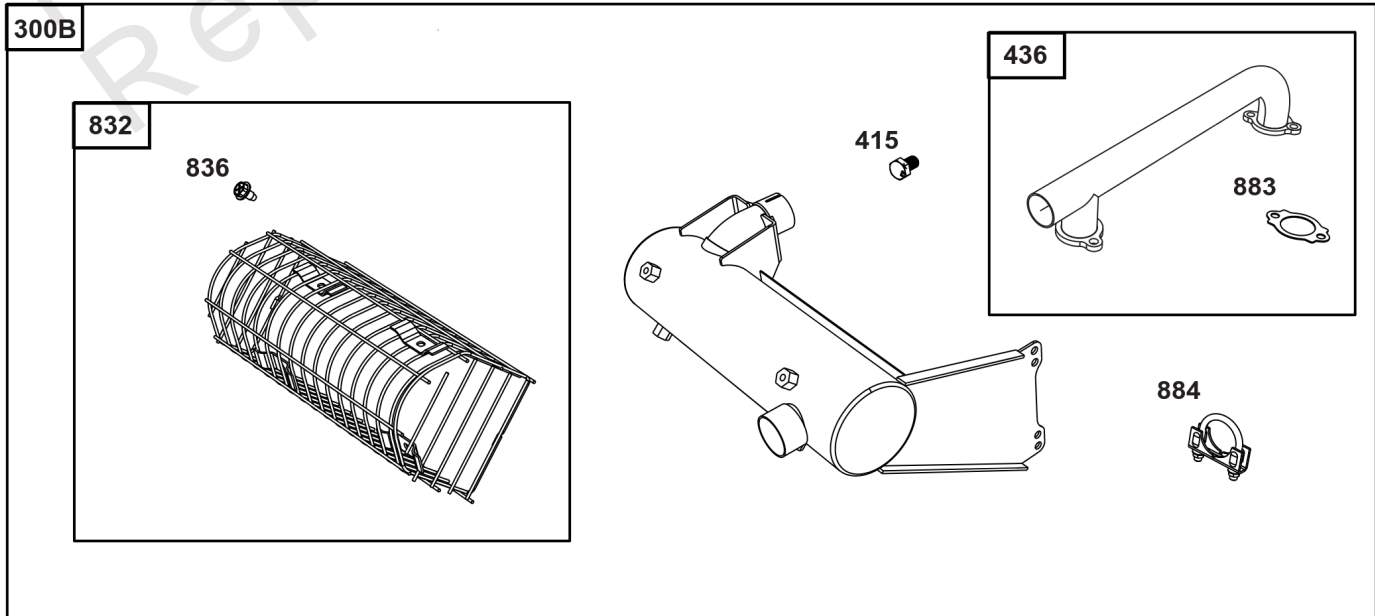
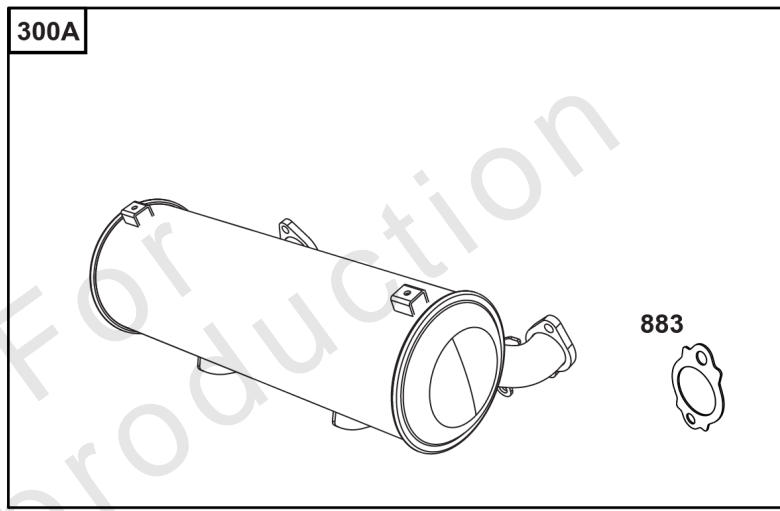
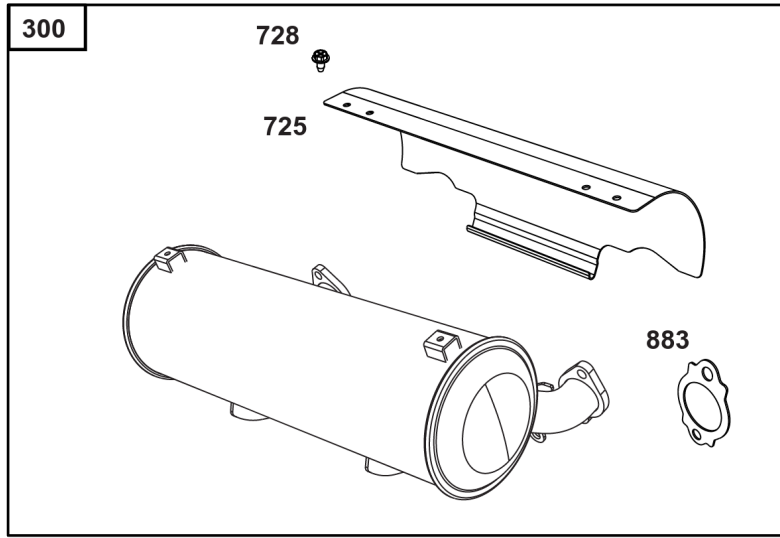
REF NO	PART NO	QTY	DESCRIPTION
296	844813	4	STUD -(Muffler)
300	846819	1	MUFFLER -(High Mount) (Oil Filter Side Outlet) (EFI)
300A	846246	1	MUFFLER -(Mid Mount) (Oil Filter Side Outlet)
300B	847486	1	MUFFLER -(Mid Mount) (Oil Filter Side Outlet) (EFI)
300C	847278	1	MUFFLER -(Side Mount) (Oil Filter Side Outlet) (EFI)
300D	84007299	1	MUFFLER -(Vertical Shaft)(Oil Filter Side Outlet)
415	596859	1	PLUG
436	841681	1	MANIFOLD, Exhaust
613	596859		PLUG -(Muffler)
725	847229	1	SHIELD, Heat
725A	844338	1	SHIELD, Heat
725B	847487	1	SHIELD, Heat
728	692067	2	SCREW -(Heat Shield)
740	703164	2	NUT -Muffler Bracket
819	5025011X8SM	2	CAPSCREW, Hex Head, 5/16-18 X 1 -(Muffler Bracket)
832	841682	1	GUARD, Muffler
836	841233	4	SCREW -(Muffler Guard)
883	809872	2	GASKET, Exhaust
884	841968	1	CLAMP, Muffler
1449	703350	4	WASHER -(Muffler)

# Center Outlet Mufflers



## Center Outlet Mufflers

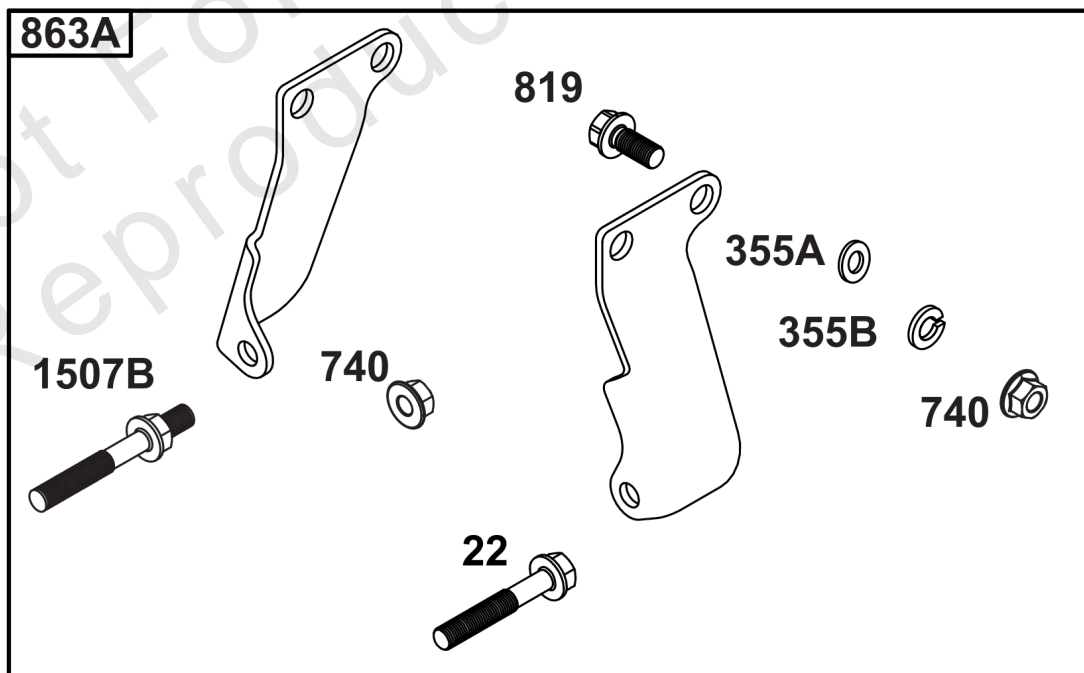
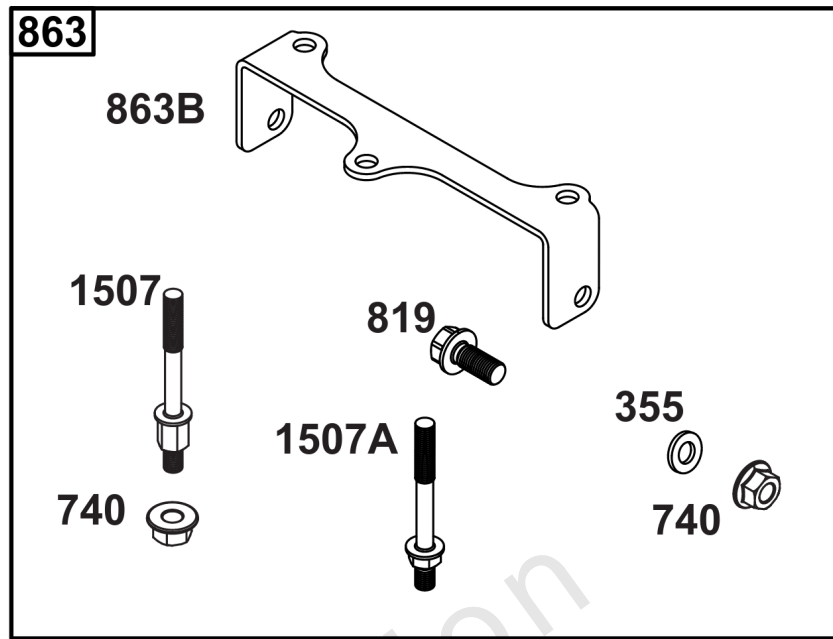
REF NO	PART NO	QTY	DESCRIPTION
22	807362	2	SCREW -(Muffler Bracket)
300	846443	1	MUFFLER -(Vertical Shaft) (Center Outlet) (304 Stainless Steel)
300A	847940	1	MUFFLER -(Vertical Shaft) (Center Outlet) (304 Stainless Steel) (Performance Muffler for 40 HP)
300B	846154	1	MUFFLER -(Horizontal Shaft) (High Mount) (Center Outlet)
300C	847922	1	MUFFLER -(Horizontal Shaft) (High Mount) (Center Outlet) (304 Stainless Steel) (Performance Muffler for 40 HP)
300D	846444	1	MUFFLER -(Horizontal Shaft) (High Mount) (Center Outlet) (304 Stainless Steel)
300E	847478	1	MUFFLER -(Horizontal Shaft) (High Mount) (Center Outlet) (O2 Sensor Port) (EFI)
355	844035	2	WASHER -(Muffler Bracket)
355A	691261	2	WASHER -(Muffler Bracket)
355B	691075	8	WASHER -(Muffler Bracket)
467	846149	4	SCREW -(Exhaust Manifold)
725	841132	1	SHIELD, Heat
725A	847229	1	SHIELD, Heat
728	692067	2	SCREW -(Heat Shield)
740	690941	5	NUT
819	692062	2	SCREW -(Muffler Bracket)
863	848296	1	BRACKET, Muffler
863A	843487	1	BRACKET, Muffler
863B	848296	1	BRACKET, Muffler
883	809872	2	GASKET, Exhaust
1507	848297	1	STUD -(Muffler Bracket)
1507A	848298	2	STUD -(Muffler Bracket)
1507B	846324	2	STUD -(Muffler Bracket)



## Starter Side Outlet Mufflers

REF NO	PART NO	QTY	DESCRIPTION
300	845741	1	MUFFLER -(High Mount) (Starter Side Outlet)
300A	847083	1	MUFFLER -(Starter Side Outlet) (EFI)
300B	847279		MUFFLER -(Side Mount) (Starter Side Outlet) (EFI)
415	596859	1	PLUG
436	842263	1	MANIFOLD, Exhaust
725	841132	1	SHIELD, Heat
728	692067	2	SCREW -(Heat Shield)
832	841682	1	GUARD, Muffler
836	841233	4	SCREW -(Muffler Guard)
883	809872	2	GASKET, Exhaust
884	841968	1	CLAMP, Muffler

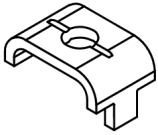
Not For Reproduction



## Muffler Bracket Kits

REF NO	PART NO	QTY	DESCRIPTION
22	807362	2	SCREW -(Muffler Bracket)
355	844035	2	WASHER -(Muffler Bracket)
355A	691261	2	WASHER -(Muffler Bracket)
355B	691075	8	WASHER -(Muffler Bracket)
740	690941	6	NUT -(Muffler Bracket)
819	692062	2	SCREW -(Muffler Bracket)
863	848316	1	BRACKET, Muffler -(Vertical)
863A	843487	1	BRACKET, Muffler -(Horizontal)
863B	848296	1	BRACKET, Muffler -(Vertical)
1507	848297	1	STUD -(Muffler Bracket)
1507A	848298	2	STUD -(Muffler Bracket)
1507B	846324	2	STUD -(Muffler Bracket)

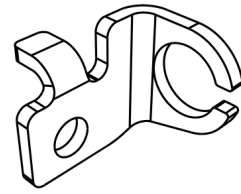
265



265A



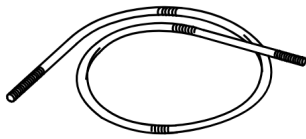
416



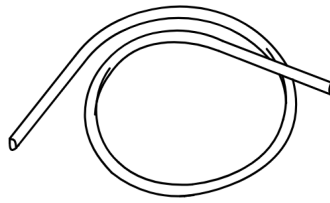
267



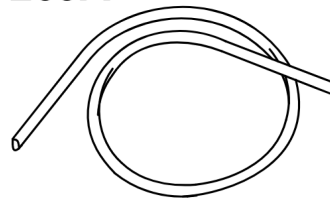
268



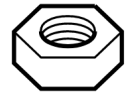
269



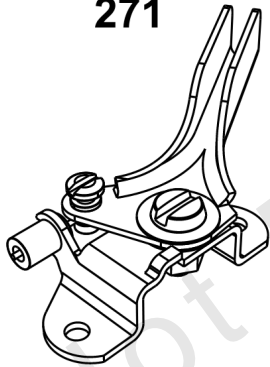
269A



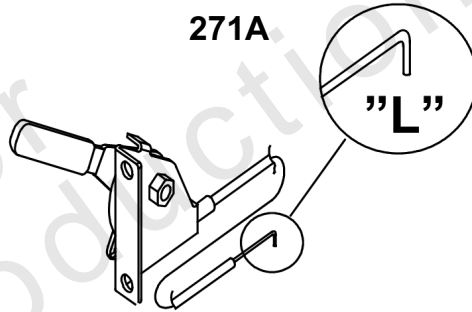
270



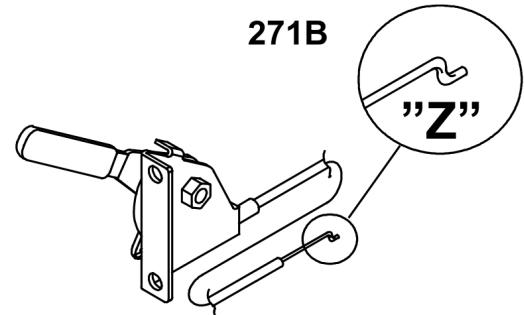
271



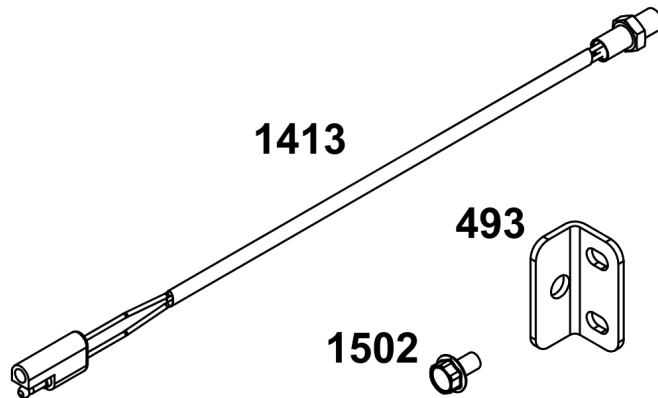
271A



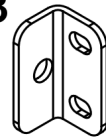
271B



1413



493



1502



## Speed Control

REF NO	PART NO	QTY	DESCRIPTION
265	691024	1	CLAMP, Casing -(Casing Clamp for Hard Casing)
265A	690798	1	CLAMP, Casing -(Casing Clamp for Soft Casing)
267	792629	1	SCREW -(Screw for Casing Clamp)
268	691025	1	CASING, Control Wire -(Wire Casing 72")
269	691026	1	WIRE, Control -(Control Wire 78")
269A	93907	1	WIRE, Control -(Control Wire 100")
270	691027	1	NUT -(Nut for Wire Casing)
271	691028	1	LEVER, Control
271A	692105	1	LEVER, Control -(Wire with "L" formed end)
271B	692541	1	LEVER, Control -(Wire with "Z" formed end)
416	595196	1	BRACKET, Throttle Cable -(Casing Clamp for Snap-In Casing)
493	842713	1	BRACKET, Mounting -(Speed Sensor)
1413	844449	1	SENSOR, Speed -(Requires 842713 Bracket and two 841233 screws)
1502	841233	2	SCREW -(Speed Sensor)

330



853



415



1616



1518



983



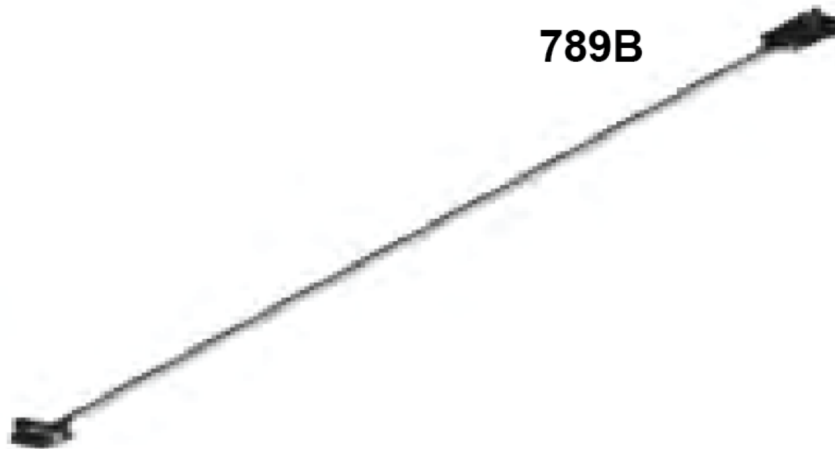
789



789A

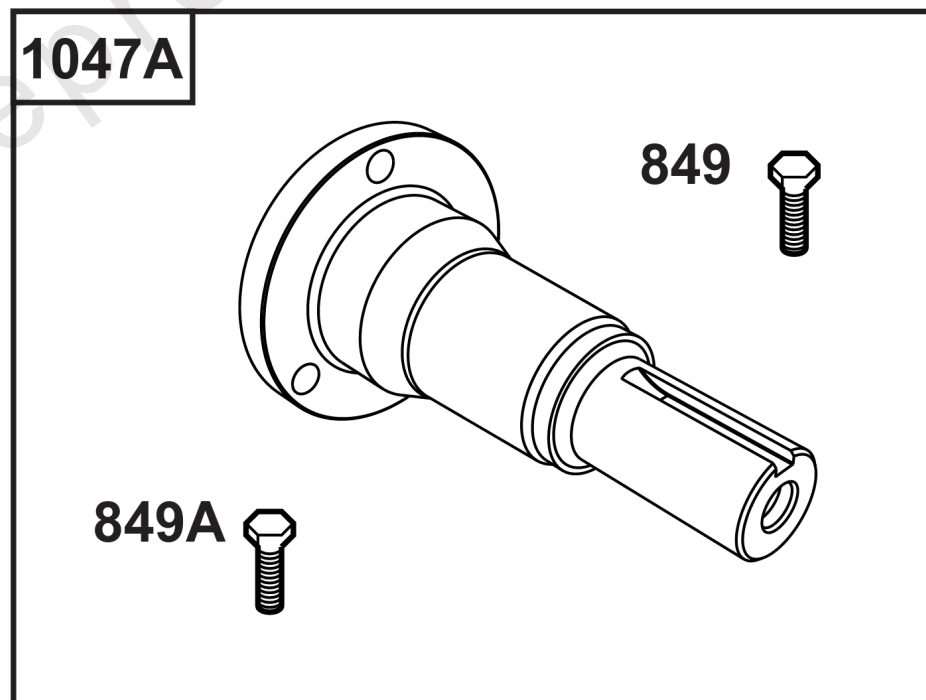
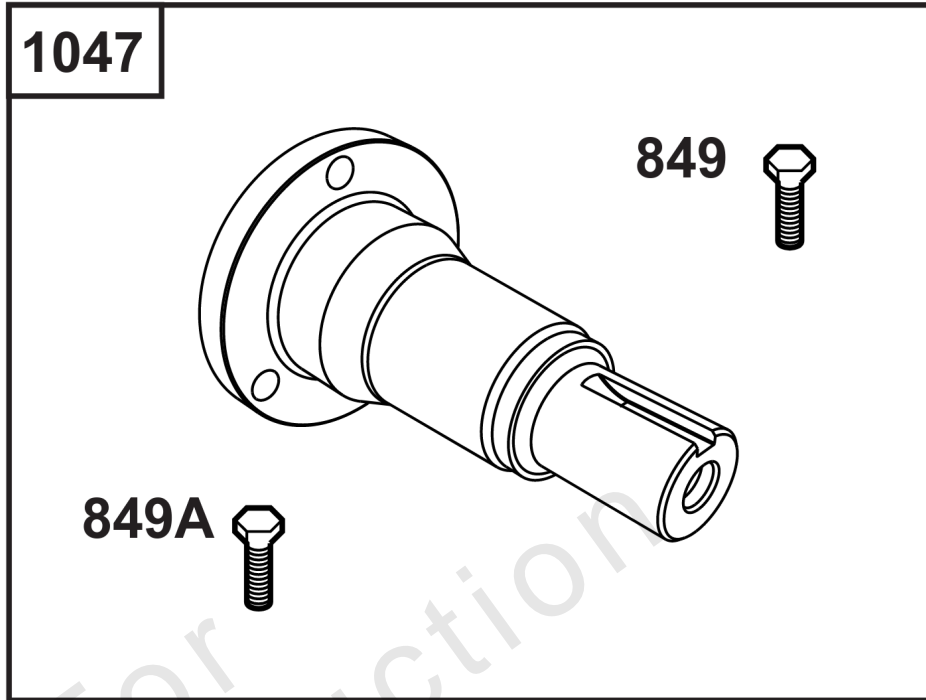


789B



## Electrical

REF NO	PART NO	QTY	DESCRIPTION
330	847476	1	SENSOR, Oxygen -(Extended Length O2 Sensor 23.5")
415	1714480SM	1	PLUG -(Plug for Ignition Switch Removal)
789	809967	1	HARNESS, Wiring -(Wire Harness Extension 8 Pin – 22") (Use with standard key switch 692318 or water/dust resistant key switch 847448)
789A	846776	1	HARNESS, Wiring -(Wire Harness Extension 6 Pin – 22") (Use with standard key switch 692318 or water/dust resistant key switch 847448)
789B	847017	1	WIRE ASSEMBLY -(Wire Harness Extension for 847016 Tach 32")
853	80028618	1	ADAPTER, Wire -(Wire Harness Adapter 6 Pin to 8 Pin)
983	5103809YP	1	LIGHT, Indicator -(MIL Light Indicator, LED Red)
1518	847016	1	TACHOMETER -(Tach, Hour Meter with MIL Light for EFI Engines)
1616	19626	1	CODE READER -(Tiny Scan)

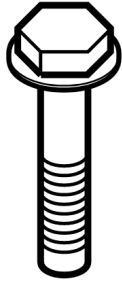


## Stub Shafts

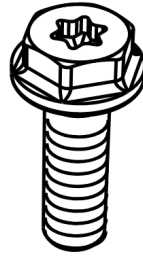
REF NO	PART NO	QTY	DESCRIPTION
849	596370	3	SCREW -(Stub Shaft)
849A	846235	3	SCREW -(Stub Shaft)
1047	841304	1	SHAFT, Stub -(Flywheel Mounted) (1-1/8" diameter, 148 mm length)
1047A	843342	1	SHAFT, Stub -(Flywheel Mounted) (1-1/8" diameter, 176 mm length)

Not For Reproduction

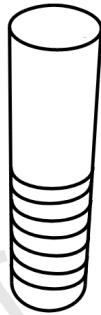
613



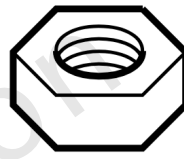
437



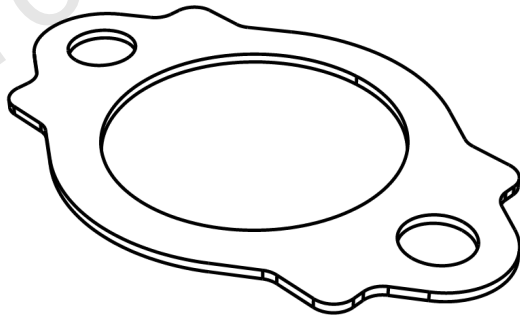
151



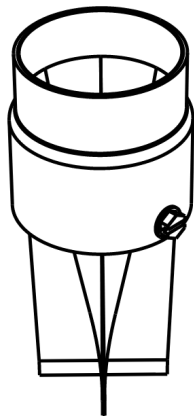
1177



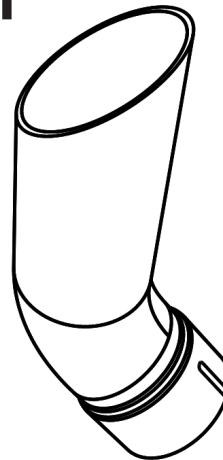
883



994



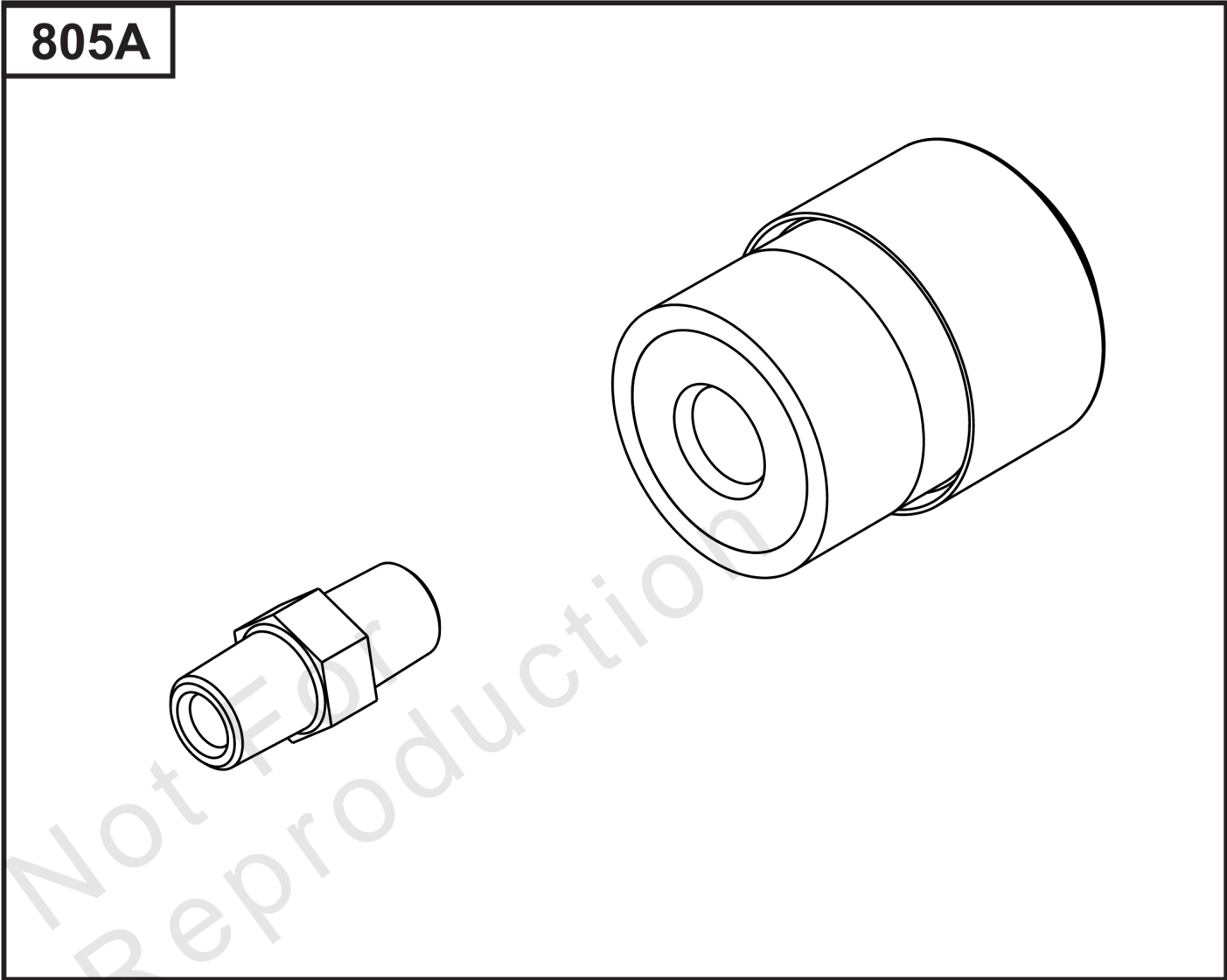
301



## Spark Arrester/Deflector

REF NO	PART NO	QTY	DESCRIPTION
151	841185	4	STUD -(4 per engine)
301	841518	1	PIPE, Exhaust -(For 44.7 O.D. muffler outlet pipe) (Requires clamp 843624)
437	809743	4	SCREW -(M8 x 25 for Mounting Mufflers) (4 per engine)
613	692062	4	SCREW -(M8 x 18 for Mounting Mufflers) (4 per engine)
883	809872	2	GASKET, Exhaust -(2 per engine)
994	843204	1	ARRESTOR, Spark -(1.75") (44.7 mm) (O.D. Outlet Tube)
1177	842067	4	NUT -(Required if using 841185 stud)

Not For Reproduction



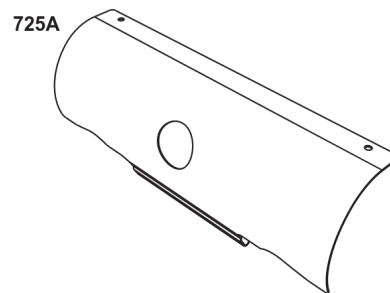
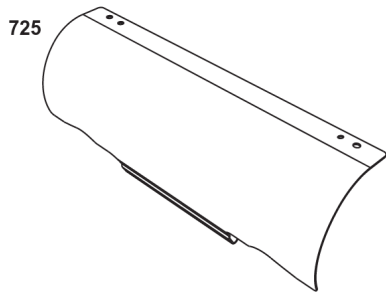
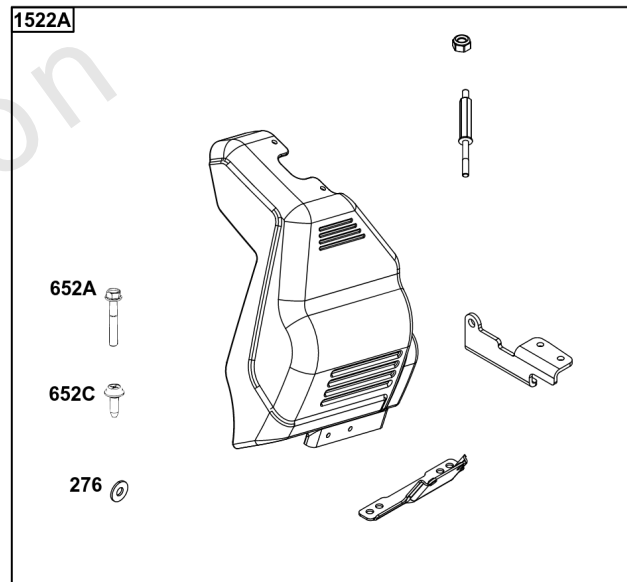
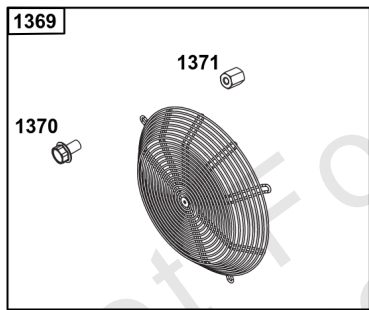
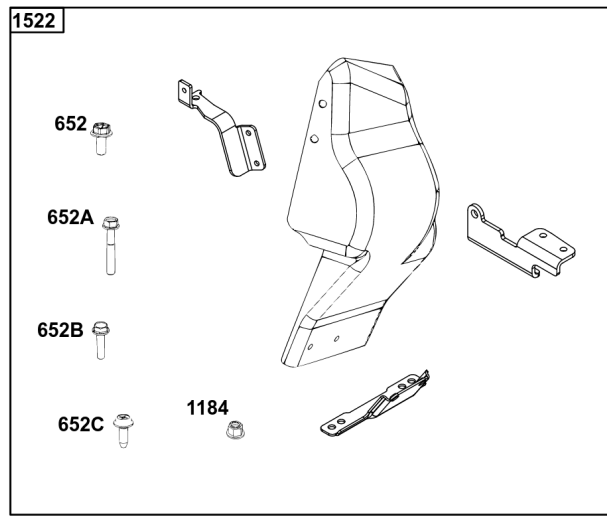
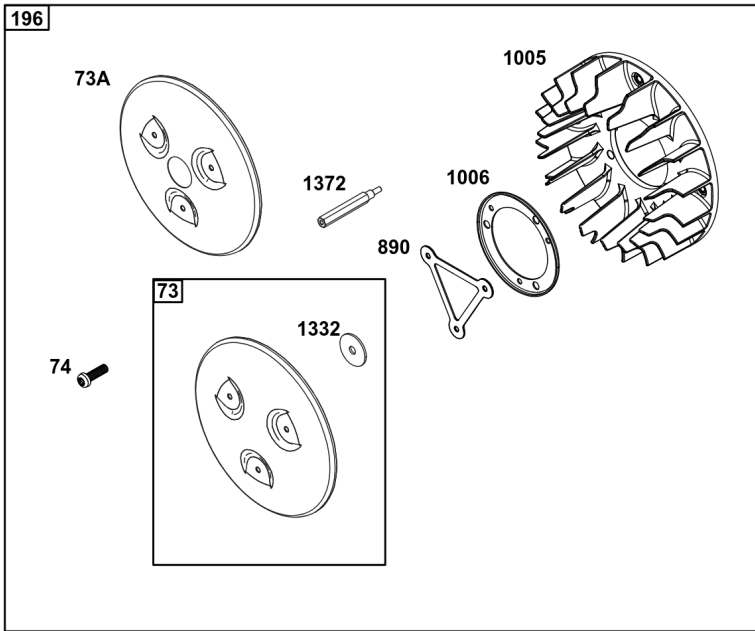
***Air Intake***

---

REF NO	PART NO	QTY	DESCRIPTION
805A	843024	1	MINDER, Filter

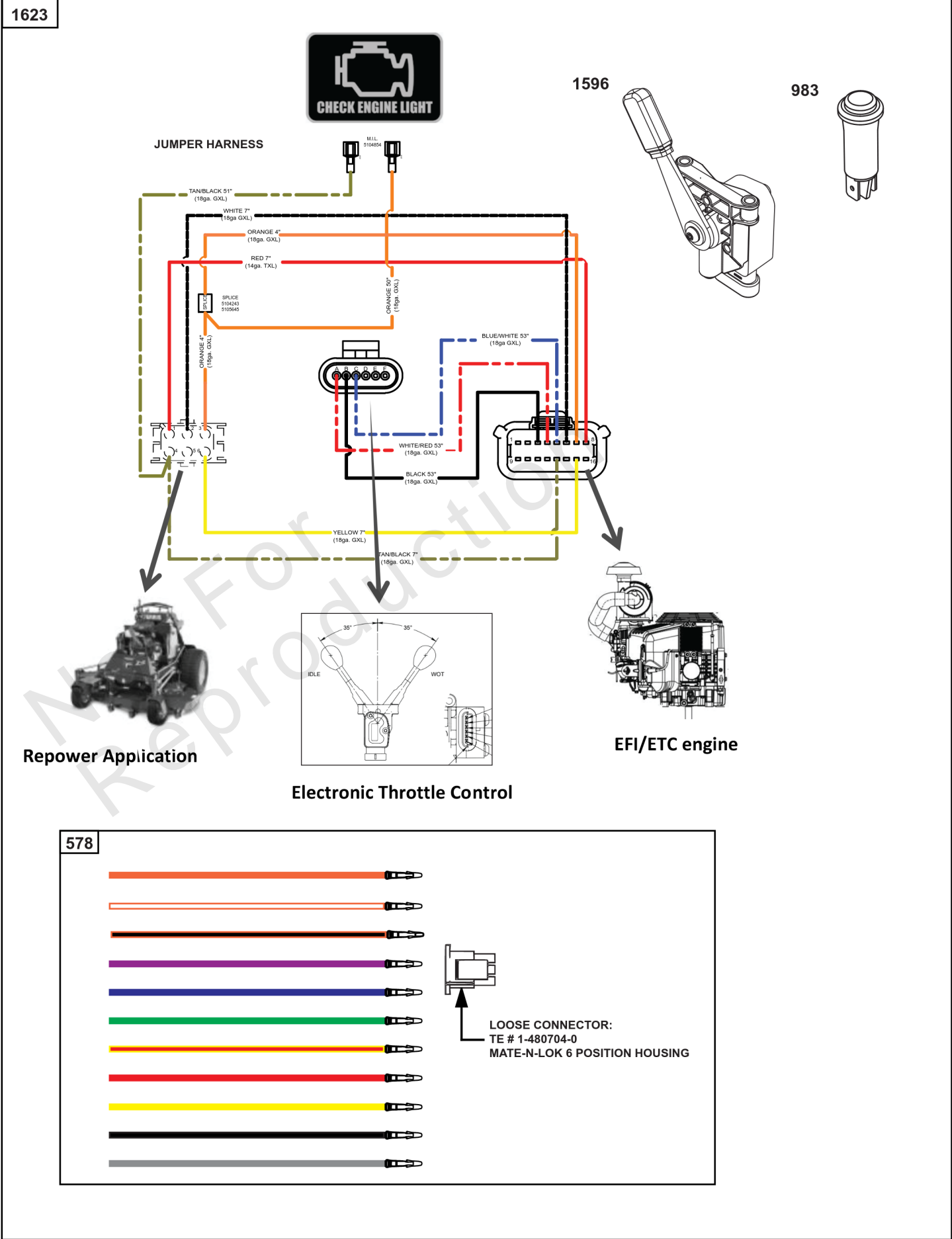
---

Not For Reproduction



## Guarding

REF NO	PART NO	QTY	DESCRIPTION
73	841840	1	SCREEN, Rotating
73A	842248	1	SCREEN, Rotating
74	809947	3	SCREW -(Rotating Screen) (M6x20mm)
196	847200	1	GUARD, Flywheel Fan
276	595601	2	WASHER, Sealing
652	807084	1	SCREW
652A	807362	2	SCREW
652B	807421	1	SCREW
652C	692067	6	SCREW
725	841132	1	SHIELD, Heat -(Requires 2 x 692067 Screw)
725A	847229	1	SHIELD, Heat -(With 02 Sensor Hole) (EFI)
890	809987	1	BRACKET, Support
1005	846996	1	FAN, Flywheel
1006	847198	1	RETAINER, Fan
1184	690941	2	NUT
1332	809948	3	WASHER
1369	995019	1	FAN/SCREEN ASSEMBLY
1370	841233	4	SCREW -(Flywheel Fan Guard)
1371	841537	4	NUT -(Flywheel Fan Guard)
1372	809946	3	STUD
1522	846510	1	COVER, Wire -(BIG BLOCK™ Horizontals)
1522A	847235	1	COVER, Wire -(BIG BLOCK™ Horizontals)



## ***Electronic Throttle Kit***

---

<b>REF NO</b>	<b>PART NO</b>	<b>QTY</b>	<b>DESCRIPTION</b>
578	84007350	1	WIRE ASSEMBLY
983	5103809YP	1	LIGHT, Indicator
1596	84007271	1	LEVER, Electronic Throttle
1623	84008670	1	KIT, Throttle Assembly -(Analog Electronic Throttle Control)

---

Not For Reproduction

# **WANGUARD<sup>®</sup>**

**COMMERCIAL POWER**



**BRIGGS & STRATTON<sup>®</sup>**