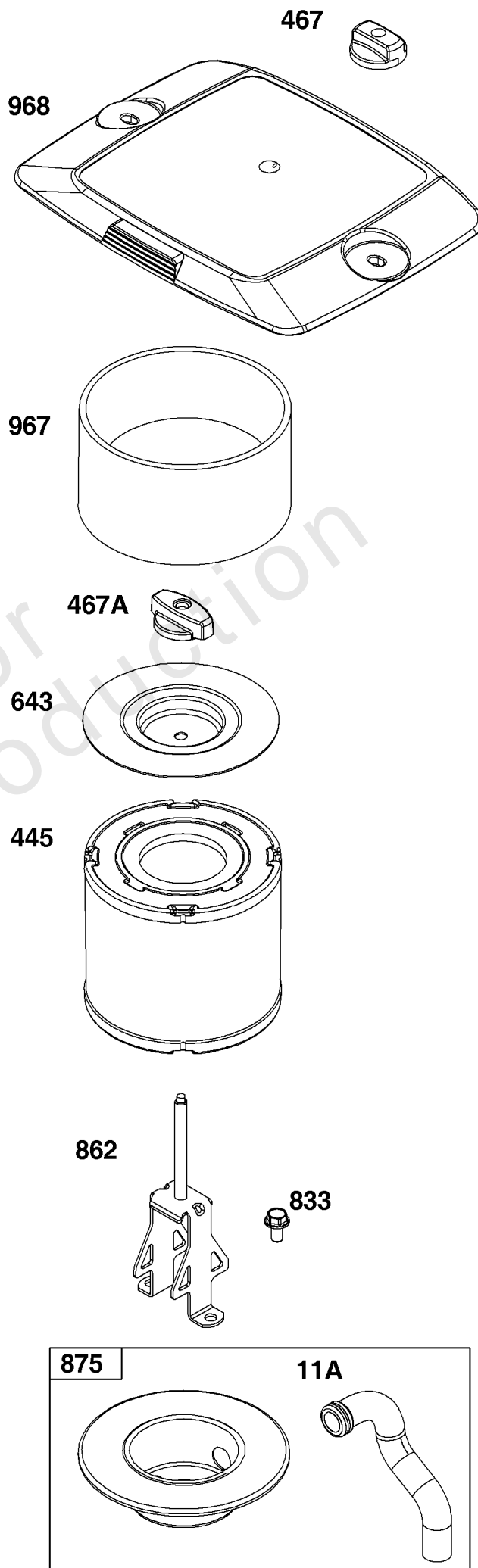




Parts Manual

Mfg. No: 356442-3521-H5

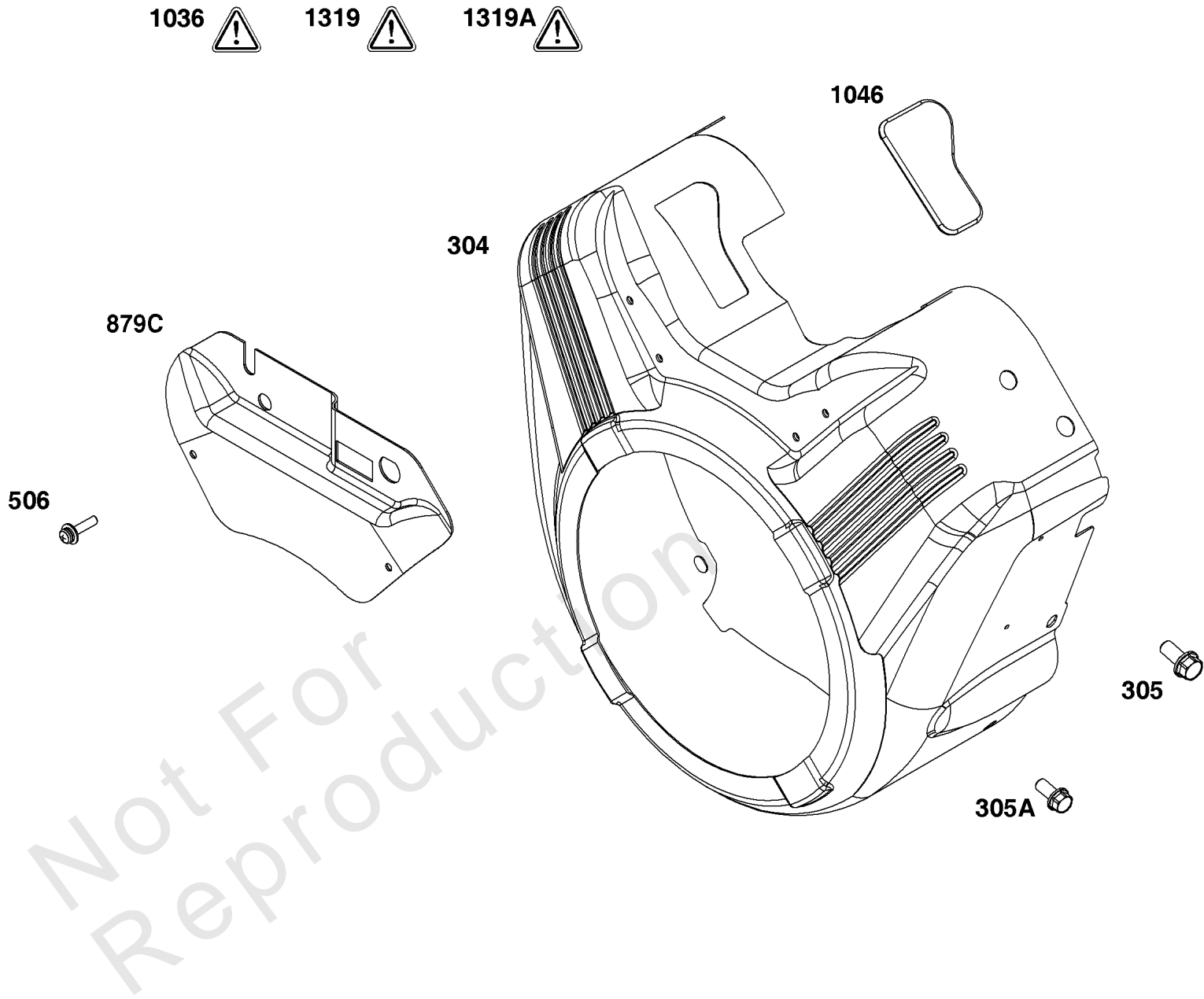
Model Components	Page
Air Cleaner Group.....	4
Blower Housing Group.....	6
Carburetor Group.....	8
Controls Group.....	10
Crankcase Cover/Sump and Lubrication Group.....	12
Crankshaft Group.....	16
Cylinder Group.....	18
Cylinder Head Group.....	22
Exhaust Group.....	26
Flywheel, Ignition, and Starter Group.....	28
Fuel Supply Group.....	30
Model 29, 30, 35 & 38 Engine Accessories Catalog.....	32
Maintenance Kits.....	33
Lubrication.....	35
Starter Motor Side Outlet Mufflers.....	37
Oil Filter Side Outlet Mufflers.....	39
Oil Filter Side Outlet Manifolds.....	41
Starter Motor Side Outlet Manifolds.....	43
Mufflers.....	45
Center Outlet Mufflers.....	47
Muffler Guards and Shields.....	49
Spark Arrestors and Deflectors.....	51
Muffler Mounting Hardware.....	53
Flywheel and Air Intake Guards.....	55
PTO.....	57
Electrical.....	59
Speed Control.....	61



Air Cleaner Group

REF NO	PART NO	QTY	DESCRIPTION
11A	691556	1	TUBE, Breather
445	845090	1	FILTER, A/C Cartridge
467	844618	2	KNOB, Air Cleaner Cover
467A	846431	1	KNOB, Air Cleaner Cover
643	845087	1	RETAINER, Air Filter
833	847281	2	SCREW -(Air Cleaner Mounting Strap/Stud) (M6x14mm)
862	845089	1	STRAP/STUD, Air Cleaner Mounting
875	845088	1	BASE, Air Cleaner
967	271794S	1	FILTER, Pre Cleaner
968	844559	1	COVER, Air Cleaner

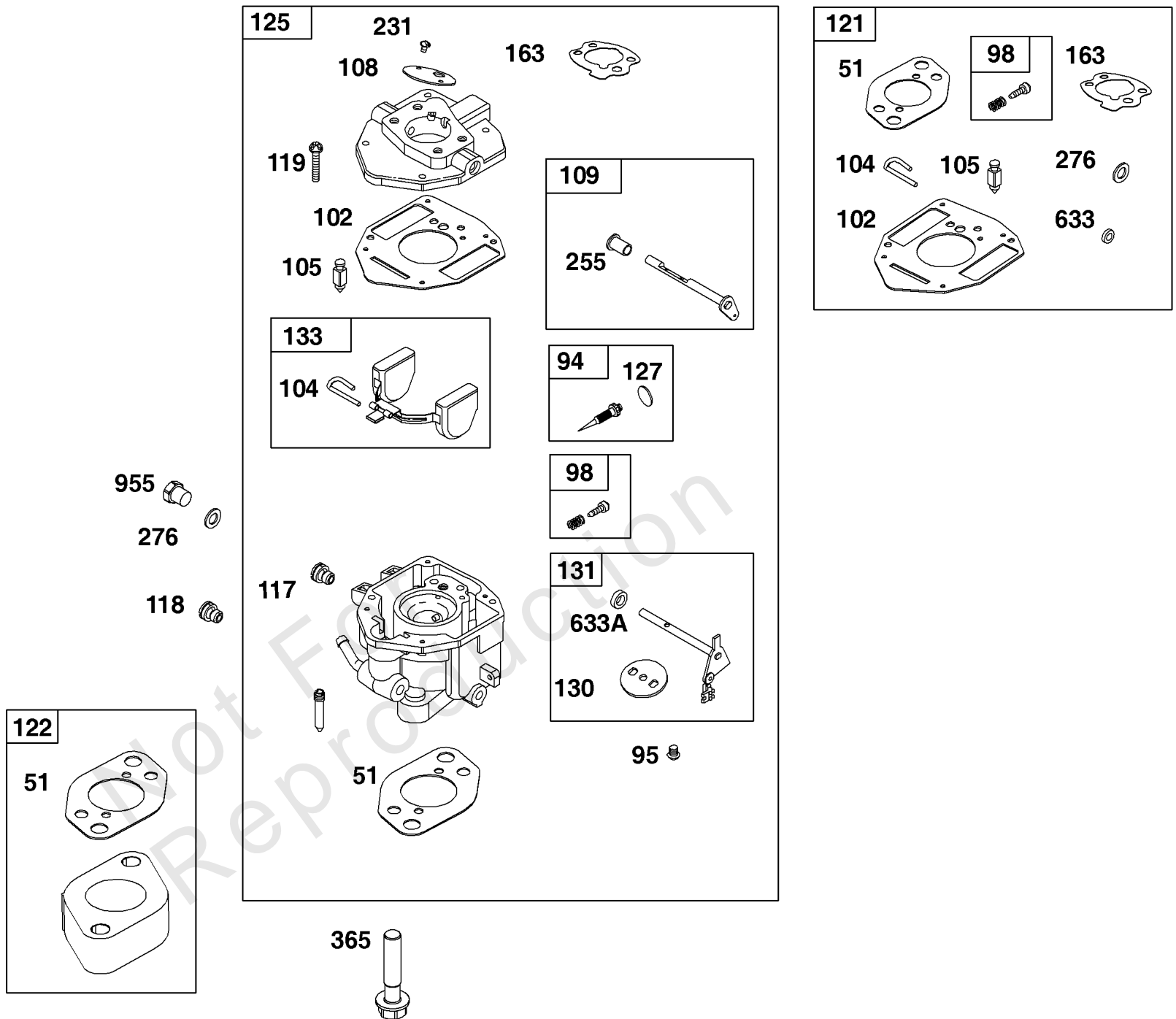
Not For Reproduction



Blower Housing Group

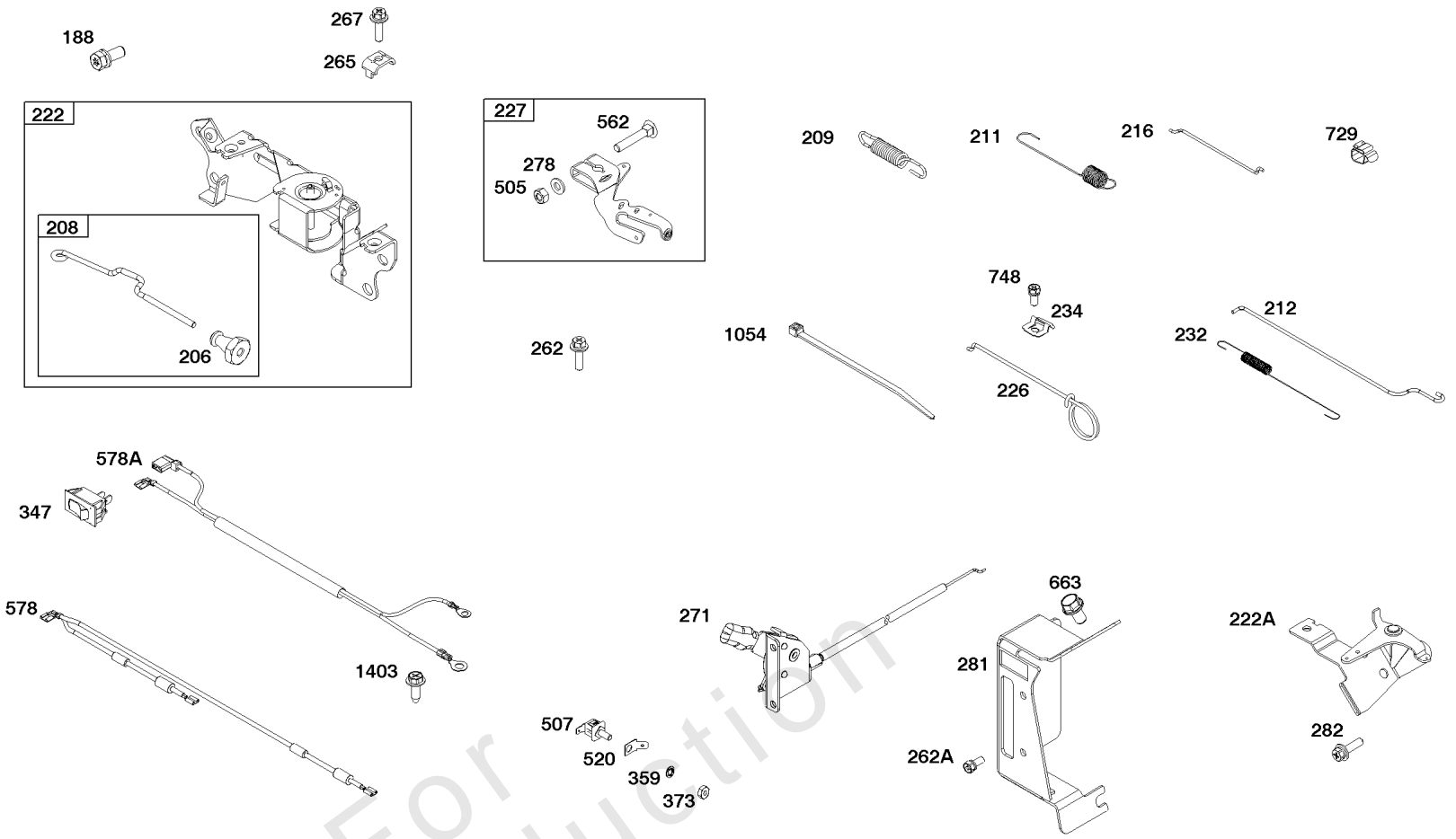
REF NO	PART NO	QTY	DESCRIPTION
304	844153	1	HOUSING, Blower
305	692056	2	SCREW -(Blower Housing) (M8x14mm)
305A	841233	2	SCREW -(Blower Housing) (M6x10mm)
506	807120	2	SCREW -(Carburetor/EFI Cover)
879C	842132	1	COVER, Carburetor/EFI
1036	-----	1	LABEL, Emissions -(Available from a Briggs & Stratton Authorized Dealer)
1046	692082	1	PLUG, Blower Housing
1319	794467	1	LABEL, Warning -(REQUIRED When Replacing Parts With Warning Labels Affixed)
1319A	797669	1	LABEL, Warning -(REQUIRED When Replacing Parts With Warning Labels Affixed)

Not For Reproduction



Carburetor Group

REF NO	PART NO	QTY	DESCRIPTION
51	691694	2	GASKET, Intake
94	847026	1	KIT, Idle Mixture
95	690718	2	SCREW -(Throttle Valve)
98	808177	1	KIT, Idle Speed
102	692077	1	GASKET, Carburetor Body
104	690723	1	PIN, Float Hinge
105	797410	1	VALVE, Float Needle
108	844989	1	VALVE, Choke
109	843321	1	SHAFT, Choke
117	806373	1	JET, Main -(Standard)
118	842439	1	JET, Main -(High Altitude) (5000 Feet)
119	690720	4	SCREW -(Upper Carburetor Body to Lower Carburetor Body)
121	845146	1	KIT, Carburetor Overhaul -(Service Kits may include extra parts not specific to this engine.)
122	846579	1	SPACER, Carburetor
125	845023	1	CARBURETOR
127	847028	1	PLUG, Welch
130	806132	1	VALVE, Throttle
131	845022	1	KIT, Throttle Shaft
133	843320	1	FLOAT, Carburetor
163	844931	1	GASKET, Air Cleaner
231	690718	2	SCREW -(Choke Valve)
255	690721	1	BUSHING, Choke Shaft
276	690724	1	WASHER, Sealing
365	690711	2	SCREW -(Carburetor/Throttle Body)
633	690722	1	SEAL, Choke/Throttle Shaft
633A	806131	1	SEAL, Choke/Throttle Shaft
955	690718	1	SCREW



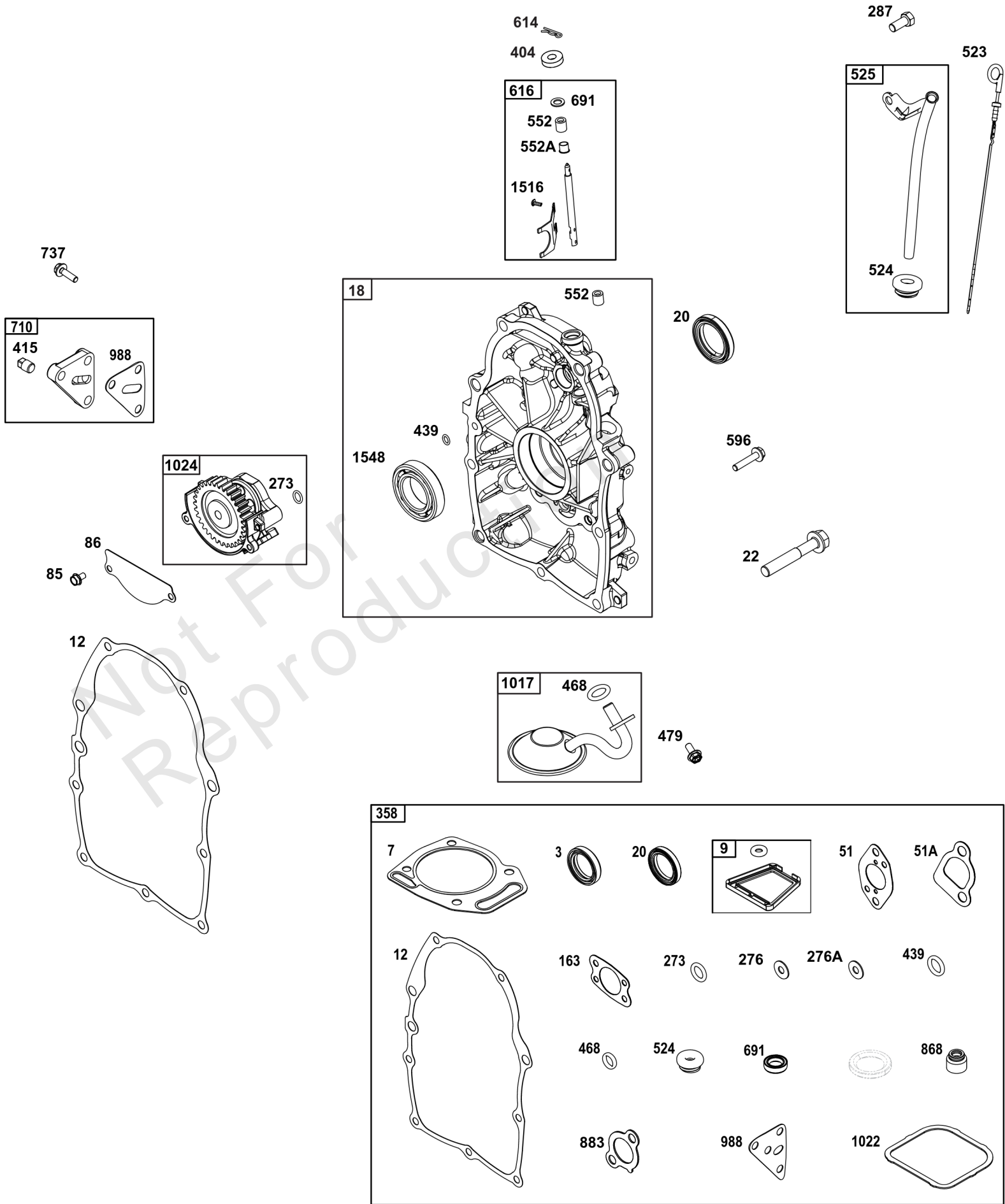
Not For
Reproduction

Controls Group

REF NO	PART NO	QTY	DESCRIPTION
188	691902	2	SCREW -(Control Bracket) (M5x20mm)
206	691244	1	NUT, Governor Adjusting
208	808453	1	ROD, Governor Control
209	692070	1	SPRING, Governor
211	692069	1	SPRING, Governed Idle
212	690712	1	LINK, Throttle
216	690705	1	LINK, Choke -(M5x20mm)
222	808454	1	BRACKET, Control
222A	690923	1	CRANK, Bell -(M5x12mm)
226	692075	1	ROD, Choke
227	690236	1	LEVER, Governor Control
232	692073	2	SPRING, Governor Link
234	691723	2	CLIP, Control Rod
262	841552	1	SCREW -(Rod Bracket)
265	691024	1	CLAMP, Casing
267	841552	1	SCREW -(Casing Clamp)
271	692541	1	LEVER, Control
278	842122	1	WASHER -(Governor Control Lever)
281	690742	1	PANEL, Control
282	841552	1	SCREW -(Control Lever)
347	795333	1	SWITCH, Rocker
359	691077	1	WASHER -(Ground Terminal)
373	845823	4	NUT -(Ground Terminal)
505	844752	1	NUT -(Governor Control Lever)
507	-----	1	INSULATOR -(Part information located in Carburetor and Fuel Supply Group.)
520	691084	1	TERMINAL, Ground
562	690239	1	BOLT
578	844547	1	HARNESS, Wiring
578A	690809	1	WIRE ASSEMBLY
663	692056	4	SCREW -(Control Panel)
729	593826	1	CLIP, Wire
748	692083	1	SCREW -(Control Rod Clip)
1054	280275	1	TIE, Cable
1403	692067	1	SCREW

Crankcase Cover/Sump and Lubrication Group

Mfg. No: 356442-3521-H5

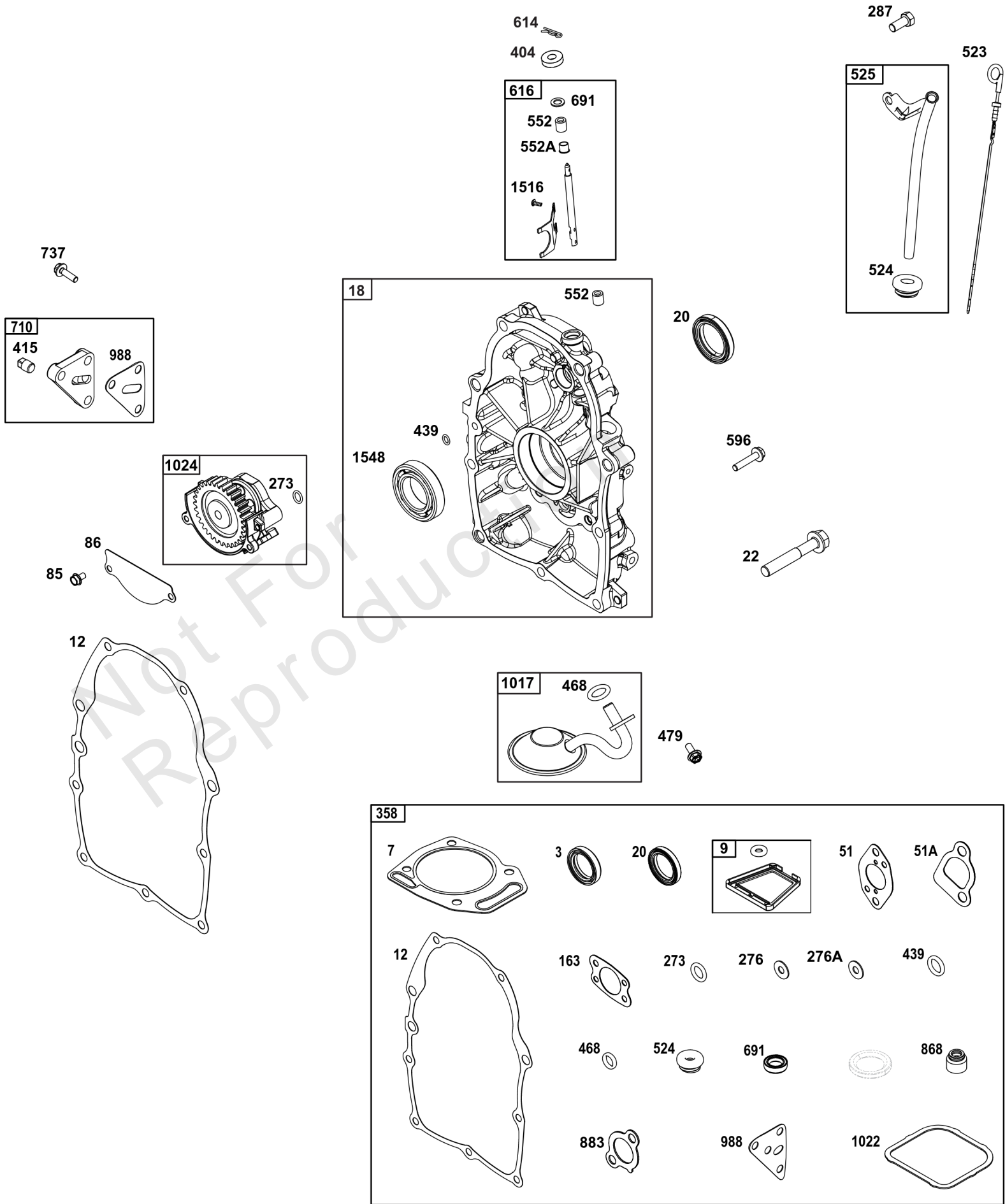


Crankcase Cover/Sump and Lubrication Group

REF NO	PART NO	QTY	DESCRIPTION
3	-----	1	SEAL, Oil -(Part information located in Cylinder Group.)
7	-----	1	GASKET, Cylinder Head -(Part information located in Cylinder Head Group.)
9	-----	1	GASKET, Breather -(Part information located in Cylinder Group.)
12	846487	1	GASKET, Crankcase
18	84004412	1	COVER, Crankcase
20	805049S	1	SEAL, Oil -(PTO Side)
22	807362	2	SCREW -(Crankcase Cover/Sump)
51	-----	1	GASKET, Intake -(Part information located in Cylinder Head Group.)
51A	-----	1	GASKET, Intake -(Part information located in Cylinder Head Group.)
85	841233	2	SCREW -(Gear Cover)
86	690745	2	COVER, Gear
163	-----	2	GASKET, Air Cleaner -(Part information located in Carburetor Group.)
273	690681	1	SEAL, O-Ring -(Oil Pump)
276	-----	1	WASHER, Sealing
276A	-----	4	WASHER, Sealing
287	692062	1	SCREW -(Dipstick Tube)
358	-----	1	GASKET SET, Engine -(Part information located in Cylinder Group.)
404	690704	1	WASHER -(Governor Crank)
415	794903	1	PLUG
439	692154	1	O-RING, Oil Gallery -(Crankcase Cover/Sump or Cylinder Assembly)
468	690690	1	SEAL, O-Ring -(Oil Pump Screen)
479	807084	1	SCREW -(Oil Pump Screen)
523	693175	3	DIPSTICK
524	693172	1	SEAL, O-Ring -(Dipstick Tube)
525	693174	1	TUBE, Dipstick
552	690701	1	BUSHING, Governor Crank
552A	806686	2	BUSHING, Governor Crank
596	691492	1	SCREW -(Oil Pump)
614	691550	1	PIN, Cotter
616	806685	1	CRANK, Governor
691	842826	1	SEAL, Governor Shaft
710	807689	1	COVER, Oil Filter
737	690679	1	SCREW -(Oil Filter Adapter)
868	-----	1	SEAL, Valve -(Part information located in Cylinder Head Group.)
883	-----	2	GASKET, Exhaust -(Part information located in Exhaust Group.)
988	690687	1	GASKET, Oil Adapter

Crankcase Cover/Sump and Lubrication Group

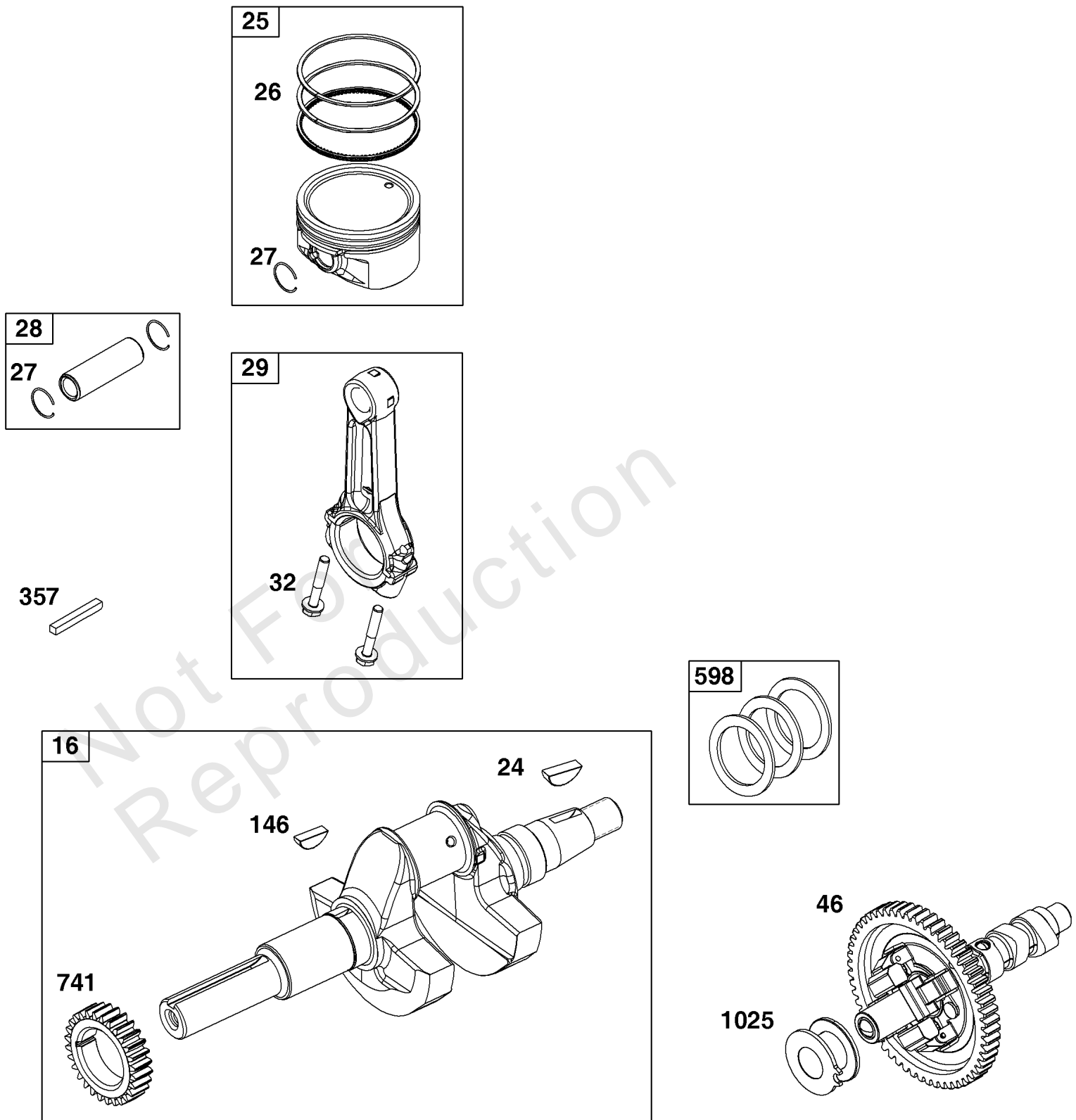
Mfg. No: 356442-3521-H5



Crankcase Cover/Sump and Lubrication Group

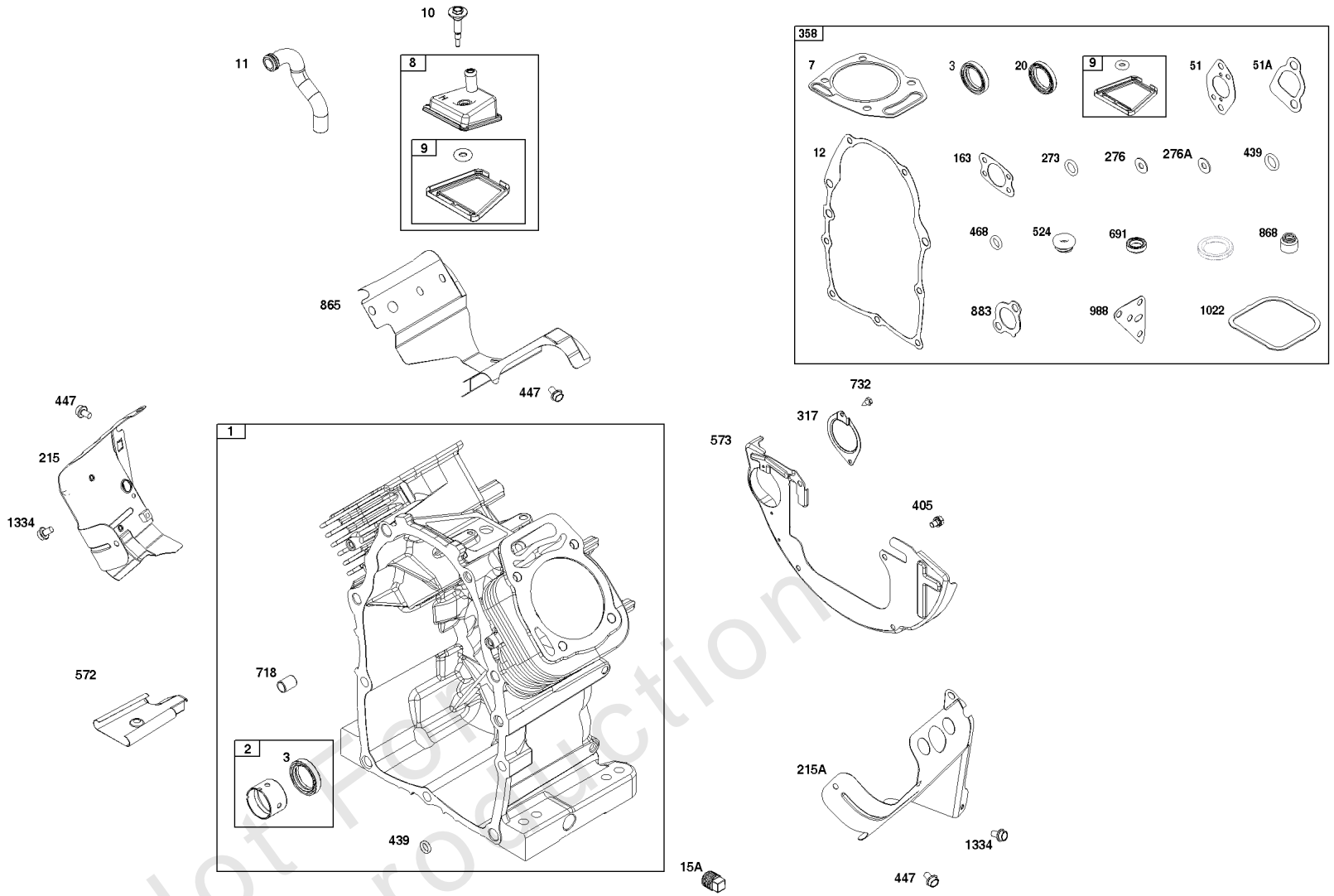
REF NO	PART NO	QTY	DESCRIPTION
1017	690900	1	SCREEN, Oil Pump
1022	-----	4	GASKET, Rocker Cover -(Part information located in Cylinder Head Group.)
1024	843825	1	PUMP, Oil
1516	846459	1	SCREW -(Governor Crank)
1548	843827	1	BEARING, Ball -(Crankcase Cover/Sump)

Not For Reproduction



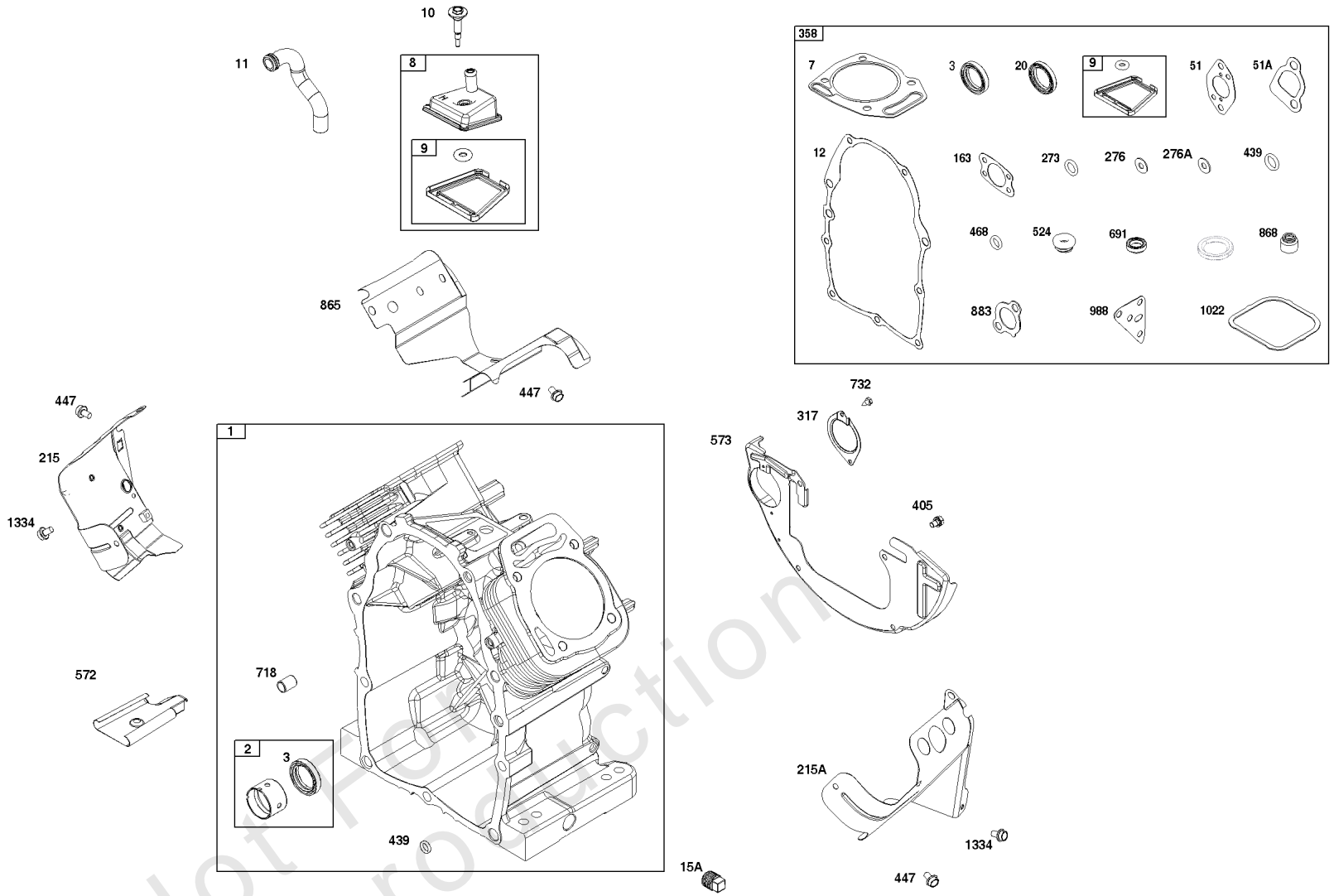
Crankshaft Group

REF NO	PART NO	QTY	DESCRIPTION
16	84004523	1	CRANKSHAFT
24	808095	1	KEY, Flywheel -(Flywheel)
25	843792	2	PISTON ASSEMBLY -(Standard)
25	843821	2	PISTON ASSEMBLY -(.020 Oversize)
26	843793	2	SET, Ring -(Standard)
26	843822	2	SET, Ring -(.020 Oversize)
27	690683	4	LOCK, Piston Pin
28	844541	2	PIN, Piston
29	807900S	2	ROD, Connecting
32	690698	2	SCREW -(Connecting Rod)
46	845649	1	CAMSHAFT
146	691639	1	KEY, Woodruff -(Timing)
357	691483		KEY, Drive Pulley
598	807625	1	SHIM, End Play -(Crankshaft or Camshaft Bearing)
741	846085	1	GEAR, Timing
1025	690689	1	SPOOL, Governor



Cylinder Group

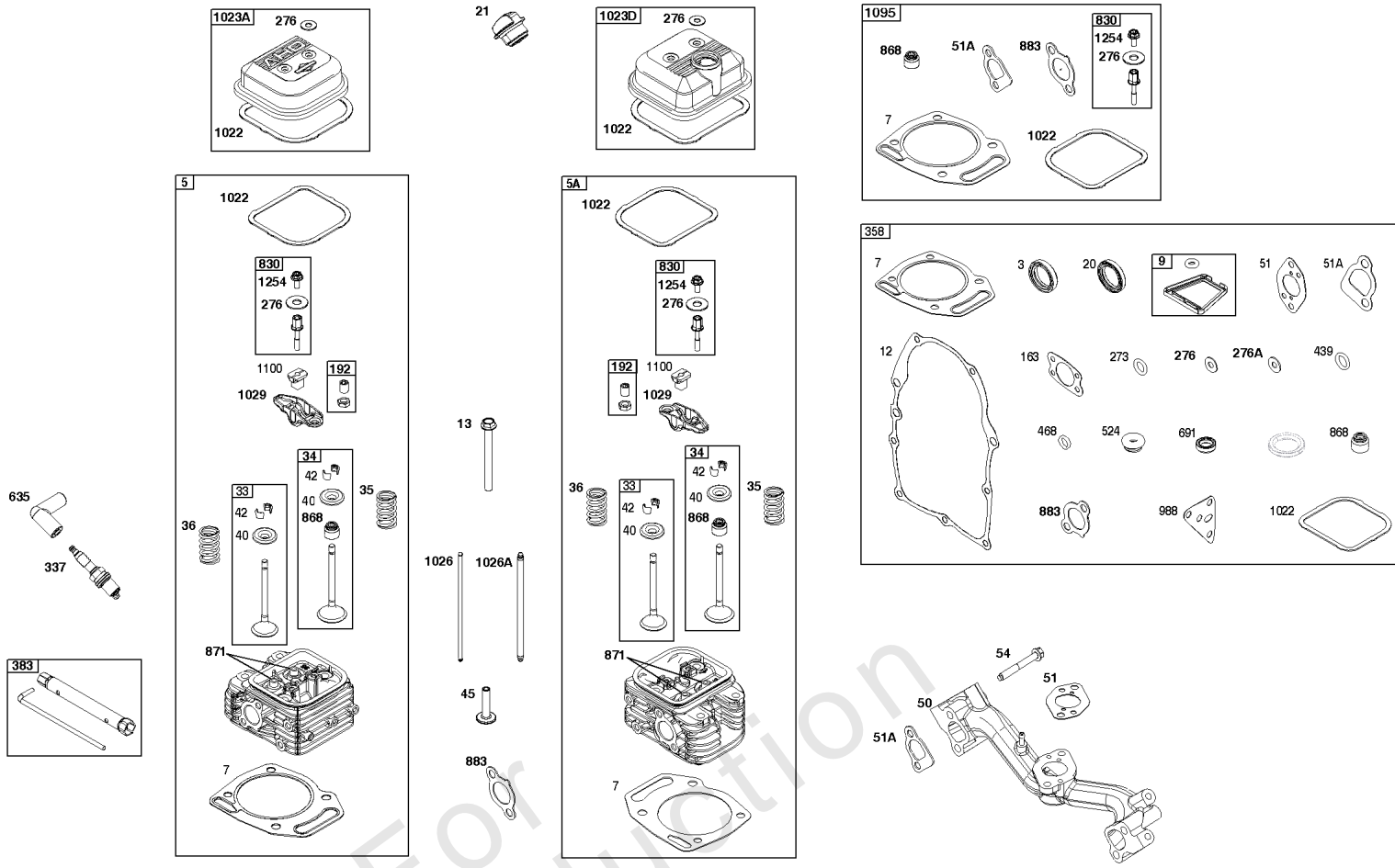
REF NO	PART NO	QTY	DESCRIPTION
1	84003975	1	CYLINDER ASSEMBLY
2	808534	1	KIT, Bushing/Seal -(Magneto Side)
3	805101S	1	SEAL, Oil -(Magneto Side)
7	-----	1	GASKET, Cylinder Head -(Part information located in Cylinder Head Group.)
8	808984	2	BREATHER ASSEMBLY
9	844986	1	GASKET, Breather
9	844986	1	GASKET, Breather
10	690751	2	SCREW -(Breather Assembly)
11	-----	1	TUBE, Breather
12	-----	1	GASKET, Crankcase -(Part information located in Crankcase Cover/Sump and Lubrication Group.)
15A	690946	2	PLUG, Oil Drain -(3/8"-18 NPTF - Internal 3/8" Sq)
20	-----	1	SEAL, Oil -(Part information located in Crankcase Cover/Sump and Lubrication Group.)
51	-----	1	GASKET, Intake -(Part information located in Cylinder Head Group.)
51A	-----	1	GASKET, Intake -(Part information located in Cylinder Head Group.)
163	-----	2	GASKET, Air Cleaner -(Part information located in Carburetor Group.)
215	841183	1	GUIDE, Air
215A	841182	1	GUIDE, Air
273	-----	1	SEAL, O-Ring -(Part information located in Crankcase Cover/Sump and Lubrication Group.)
276	-----	1	WASHER, Sealing
276A	-----	4	WASHER, Sealing
317	841309	1	GUARD, Flywheel
358	841188	1	GASKET SET, Engine -(Service Kits may include extra parts not specific to this engine.)
405	807163	2	SCREW -(Back Plate)
439	-----	1	O-RING, Oil Gallery -(Part information located in Crankcase Cover/Sump and Lubrication Group.)
447	841233	1	SCREW -(Air Guide Cover)
468	-----	1	SEAL, O-Ring -(Part information located in Crankcase Cover/Sump and Lubrication Group.)
524	693172	1	SEAL, O-Ring -(Part information located in Crankcase Cover/Sump and Lubrication Group.)
572	690686	1	BAFFLE, Breather
573	841310	1	PLATE, Back
691	-----	1	SEAL, Governor Shaft -(Part information located in Crankcase Cover/Sump and Lubrication Group.)
718	806469	1	PIN, Locating
732	690688	2	SCREW
865	843768	1	COVER, Air Guide
868	-----	1	SEAL, Valve -(Part information located in Cylinder Head Group.)
883	-----	2	GASKET, Exhaust -(Part information located in Exhaust Group.)
988	-----	1	GASKET, Oil Adapter -(Part information located in Crankcase Cover/Sump and Lubrication Group.)



Cylinder Group

REF NO	PART NO	QTY	DESCRIPTION
1022	-----	4	GASKET, Rocker Cover -(Part information located in Cylinder Head Group.)
1334	841233	2	SCREW -(Air Guide)

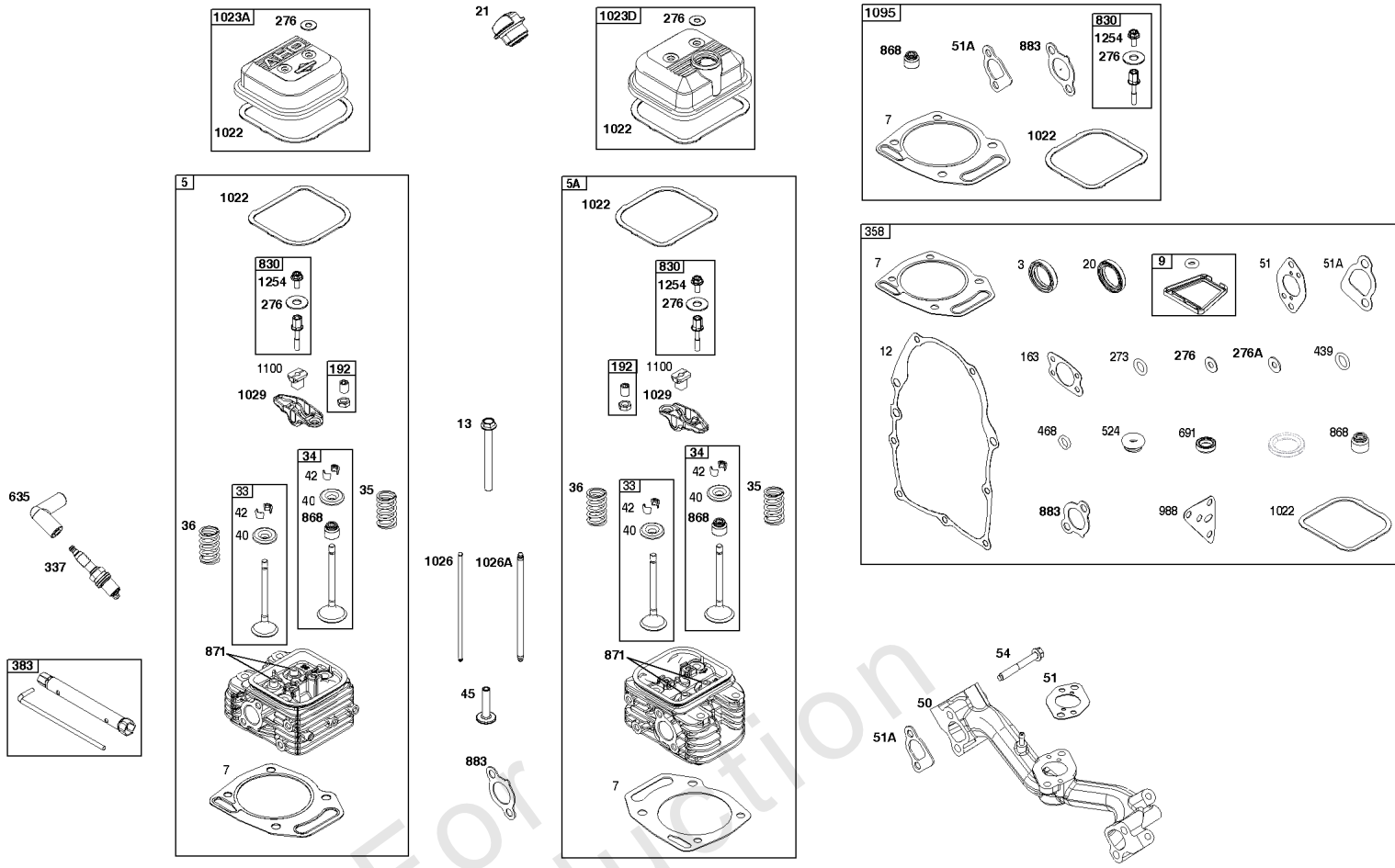
Not For Reproduction



Not For
Reproduction

Cylinder Head Group

REF NO	PART NO	QTY	DESCRIPTION
3	-----	1	SEAL, Oil -(Part information located in Cylinder Group.)
5	84002674	1	HEAD, Cylinder
5A	84002675	1	HEAD, Cylinder
7	845884	2	GASKET, Cylinder Head
9	-----	1	GASKET, Breather -(Part information located in Cylinder Group.)
12	-----	1	GASKET, Crankcase -(Part information located in Crankcase Cover/Sump and Lubrication Group.)
13	692059	8	SCREW -(Cylinder Head) (M8x14mm)
20	-----	1	SEAL, Oil -(Part information located in Crankcase Cover/Sump and Lubrication Group.)
21	809500	1	CAP, Oil Fill
33	808687	1	VALVE, Exhaust
34	807680	2	VALVE, Intake
35	692084	2	SPRING, Valve -(Intake)
36	692084	2	SPRING, Valve -(Exhaust)
40	692058	4	RETAINER, Valve
42	807683	4	KEEPER, Valve
45	843379	4	TAPPET, Valve
50	690754	1	MANIFOLD, Intake
51	691694	2	GASKET, Intake
51A	692035	2	GASKET, Intake
54	846604	4	SCREW -(Intake Manifold)
163	-----	1	GASKET, Air Cleaner -(Part information located in Carburetor Group.)
192	807623	4	ADJUSTER, Rocker Arm
273	-----	1	SEAL, O-Ring -(Part information located in Crankcase Cover/Sump and Lubrication Group.)
276	-----	1	WASHER, Sealing
276A	807085	4	WASHER, Sealing
337	496018S	2	PLUG, Spark
358	-----	1	GASKET SET, Engine -(Part information located in Cylinder Group.)
383	19576S	1	WRENCH, Spark Plug
439	-----	1	O-RING, Oil Gallery -(Part information located in Crankcase Cover/Sump and Lubrication Group.)
468	-----	1	SEAL, O-Ring -(Part information located in Crankcase Cover/Sump and Lubrication Group.)
524	-----	1	SEAL, O-Ring -(Part information located in Crankcase Cover/Sump and Lubrication Group.)
635	692076	1	BOOT, Spark Plug
691	-----	1	SEAL, Governor Shaft -(Part information located in Crankcase Cover/Sump and Lubrication Group.)
830	809157	4	STUD, Rocker Arm
868	691963	2	SEAL, Valve
871	692057	4	BUSHING, Valve Guide
883	-----	2	GASKET, Exhaust -(Part information located in Exhaust Group.)
988	-----	1	GASKET, Oil Adapter -(Part information located in Crankcase Cover/Sump and Lubrication Group.)
1022	806039S	2	GASKET, Rocker Cover

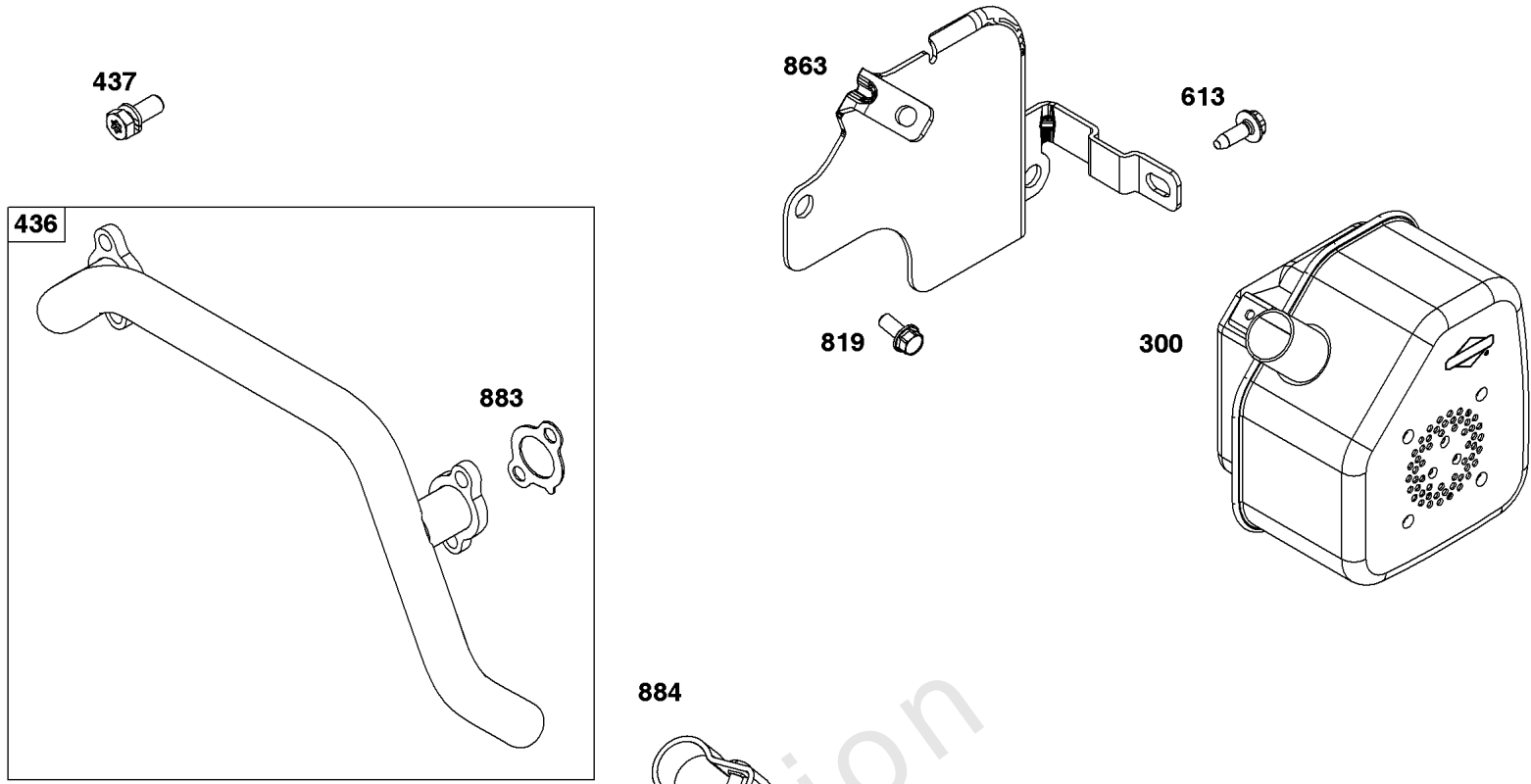


Not For
Reproduction

Cylinder Head Group

REF NO	PART NO	QTY	DESCRIPTION
1023A	691558	1	COVER, Rocker
1023D	691531	1	COVER, Rocker
1026	691836	2	ROD, Push
1026A	691758	2	ROD, Push
1029	807323	4	ARM, Rocker
1095	841191	1	GASKET SET, Valve -(Service Kits may include extra parts not specific to this engine.)
1100	791959	4	PIVOT, Rocker Arm
1254	807084	4	SCREW -(Rocker Arm Stud)

Not For Reproduction

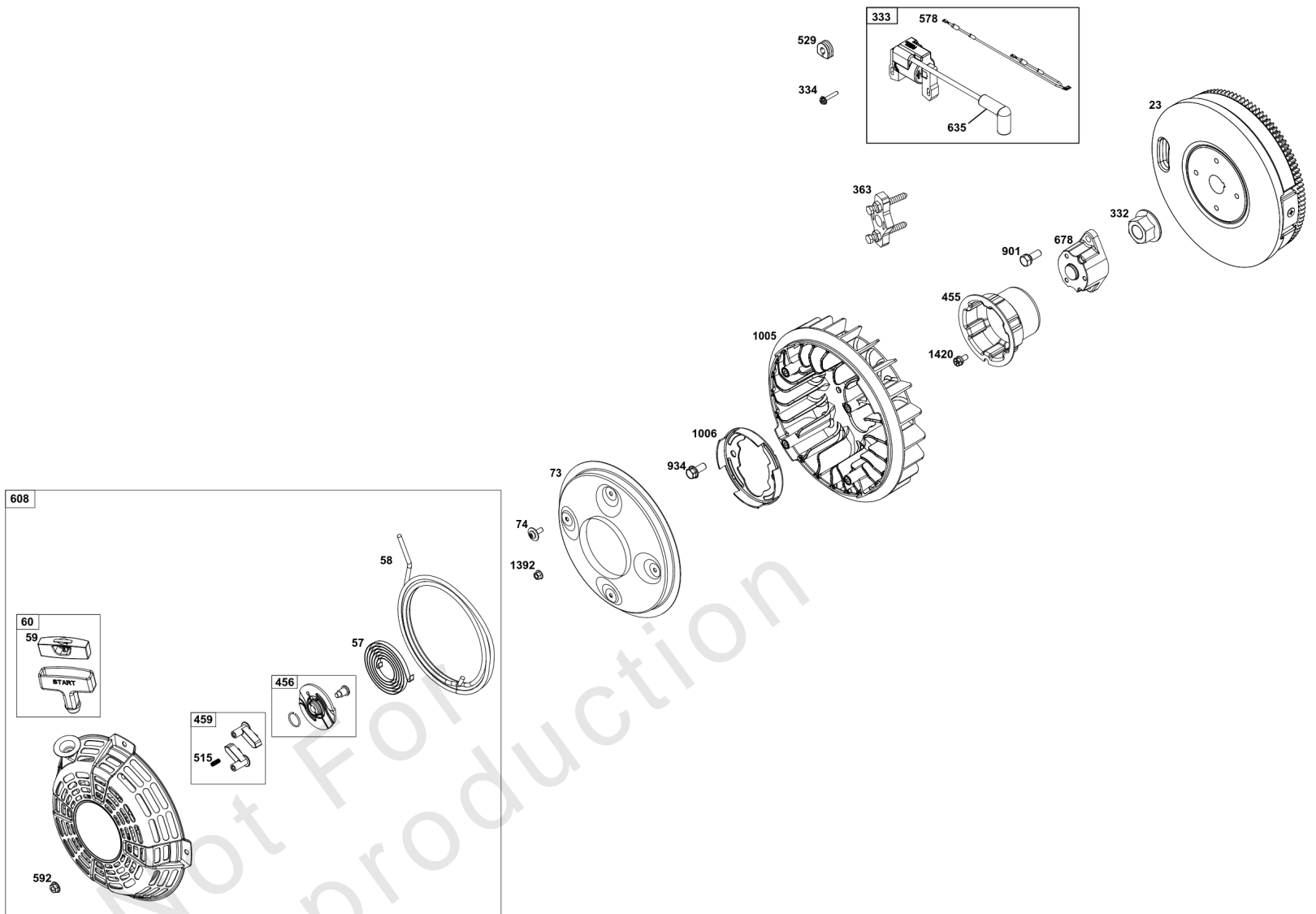


Not For
Reproduction

Exhaust Group

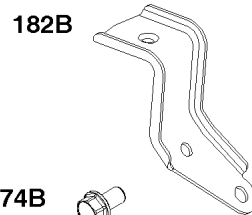
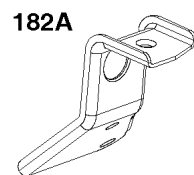
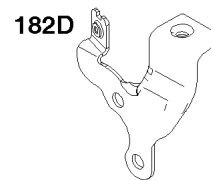
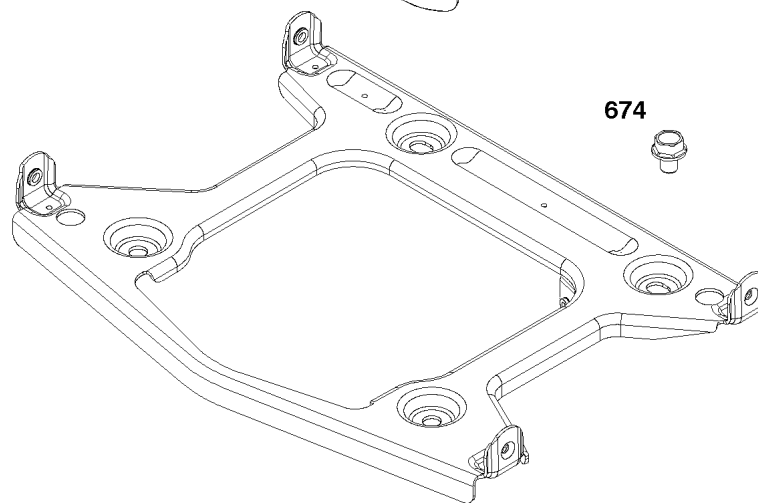
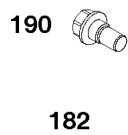
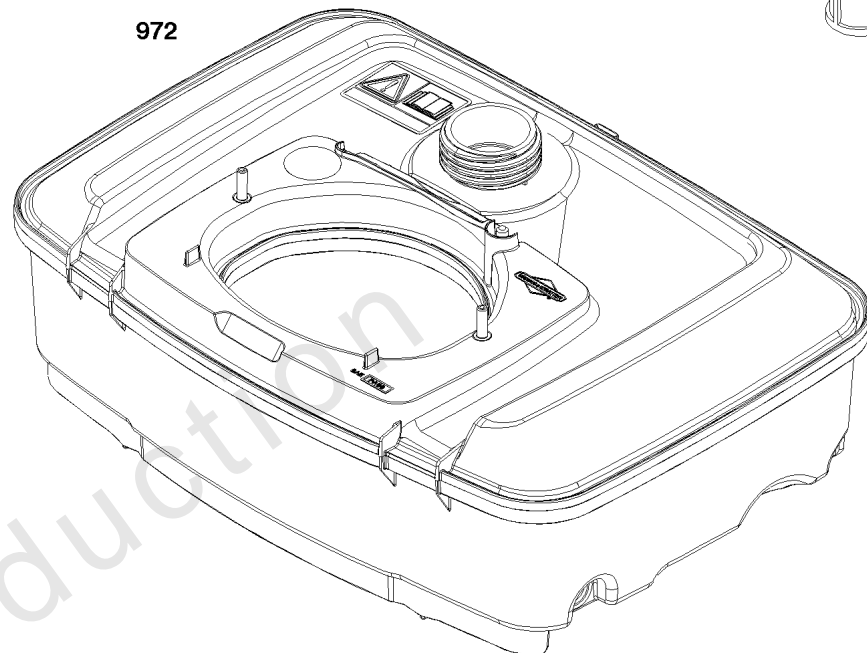
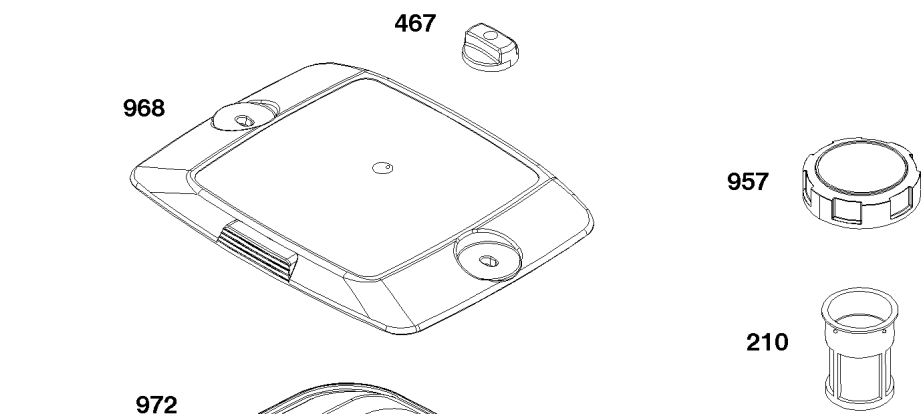
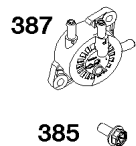
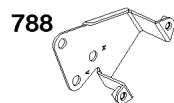
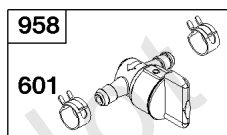
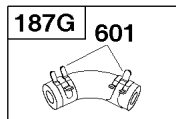
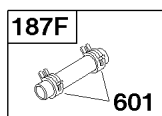
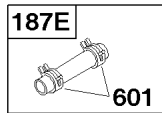
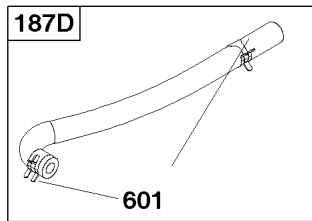
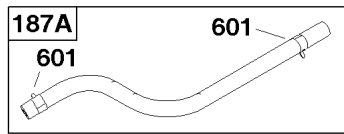
REF NO	PART NO	QTY	DESCRIPTION
300	692099	1	MUFFLER
436	692061	1	MANIFOLD, Exhaust
437	691902	4	SCREW -(Exhaust Manifold) (M8x20mm)
613	692067	2	SCREW -(Muffler)(M6x12mm)
819	692056	2	SCREW -(Muffler Bracket) (M8x14mm)
863	691513	1	BRACKET, Muffler
883	691613	3	GASKET, Exhaust
884	690898	1	CLAMP, Muffler

Not For Reproduction



Flywheel, Ignition, and Starter Group

REF NO	PART NO	QTY	DESCRIPTION
23	842259	1	FLYWHEEL -(16 Amp)
57	692086	4	SPRING, Rewind Starter
58	66574	1	ROPE, Starter
59	805957	1	INSERT, Grip
60	808167	1	GRIP, Starter Rope
73	841662	1	SCREEN, Rotating
74	841441	4	SCREW -(Rotating Screen)
332	690887	1	NUT -(Flywheel)
333	84003819	1	ARMATURE, Magneto
334	692066	3	SCREW -(Magneto Armature) (M6x10mm)
363	19203	1	PULLER, Flywheel
455	841794	1	CUP, Flywheel
456	845219	2	PLATE, Pawl Friction
459	845218	1	PAWL, Ratchet
515	691528	2	SPRING, Pawl
529	690744	2	GROMMET
578	-----	1	WIRE ASSEMBLY -(Part information located in Controls Group.)
592	690939	1	NUT -(Rewind Starter)
608	841729	3	STARTER, Rewind
635	-----	1	BOOT, Spark Plug -(Part information located in Cylinder Head Group.)
678	841730	1	SPACER
901	846234	2	SCREW -(Rewind Spacer) (M8x20mm)
934	692062	1	SCREW -(Fan Retainer)
1005	841439	1	FAN, Flywheel
1006	690452	1	RETAINER, Fan
1392	690939	4	NUT
1420	841735	1	SCREW -(Flywheel Cup to Rewind Spacer)



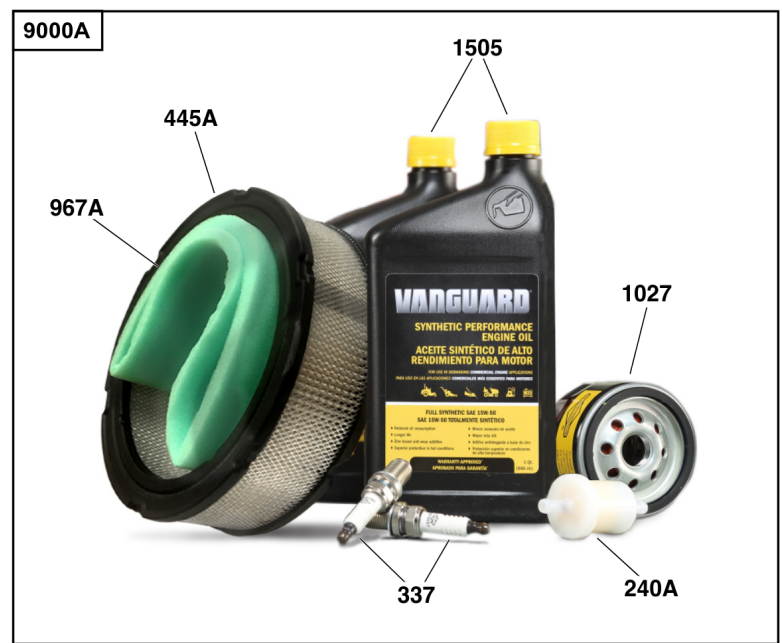
Fuel Supply Group

REF NO	PART NO	QTY	DESCRIPTION
182	846591	1	BRACKET, Fuel Tank
182D	691520	1	BRACKET, Fuel Tank
182A	841600	1	BRACKET, Fuel Tank
182B	691524	1	BRACKET, Fuel Tank
182C	691525	1	BRACKET, Fuel Tank
187F	791880	1	HOSE, Vacuum -(6.35mm(0.25) ID x 60mm(2.36") Lg)
187D	846585	1	LINE, Fuel -(Formed)(Cut To Required Length)
187E	692106	1	LINE, Fuel -(0.50 ID x 2.25 Lg)
187A	846318	1	LINE, Fuel -(Formed)(Cut To Required Length)
187G	846567	1	LINE, Fuel -(Formed Hose)
190	692199	4	SCREW -(Fuel Tank) (1/4-20 x 0.62 Lg)
210	691370	1	STRAINER, Fuel
240	844545	1	FILTER, Fuel
385	807084	2	SCREW -(Fuel Pump) (M6x14mm)
387	808656	1	PUMP, Fuel
467	844618	2	KNOB, Air Cleaner Cover
601	691038	12	CLAMP, Hose
674	845964	4	SCREW -(Fuel Tank Bracket) (M8x10mm)
674A	692062	4	SCREW -(Fuel Tank Bracket) (M8x18mm)
674B	692056	4	SCREW -(Fuel Tank Bracket) (M8x14mm)
788	691559	1	BRACKET, Fuel Pump
957	846987	1	CAP, Fuel Tank
958	698183	1	VALVE, Fuel Shut Off
968	844559	1	COVER, Air Cleaner
972	844558	1	TANK, Fuel



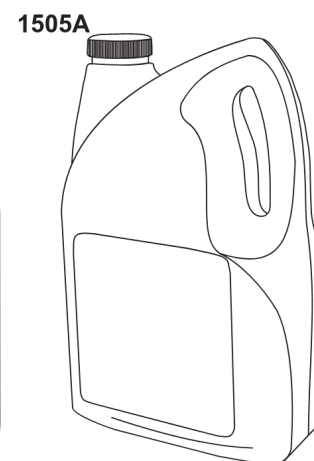
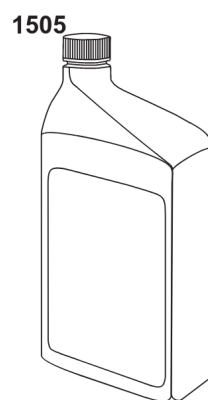
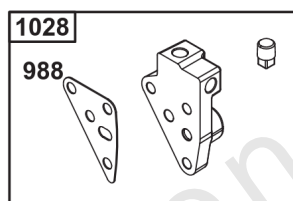
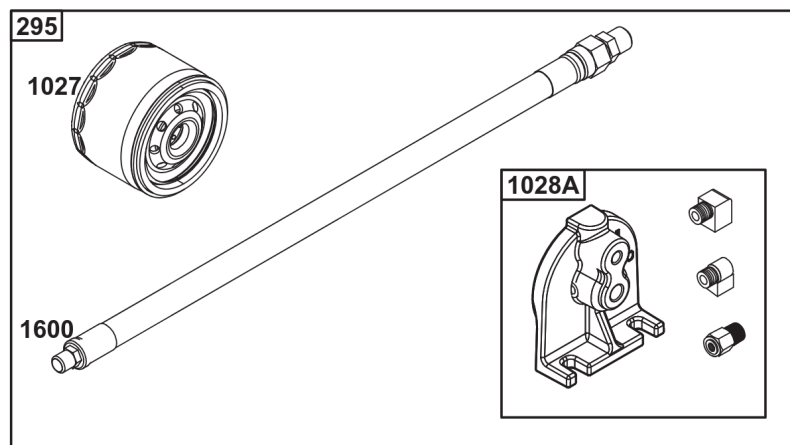
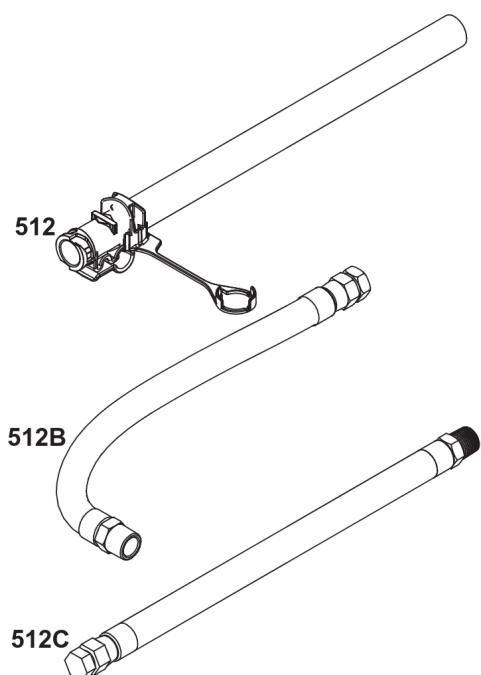
Model 29, 30, 35 & 38 Engine Accessories Catalog

Not For
Reproduction



Maintenance Kits

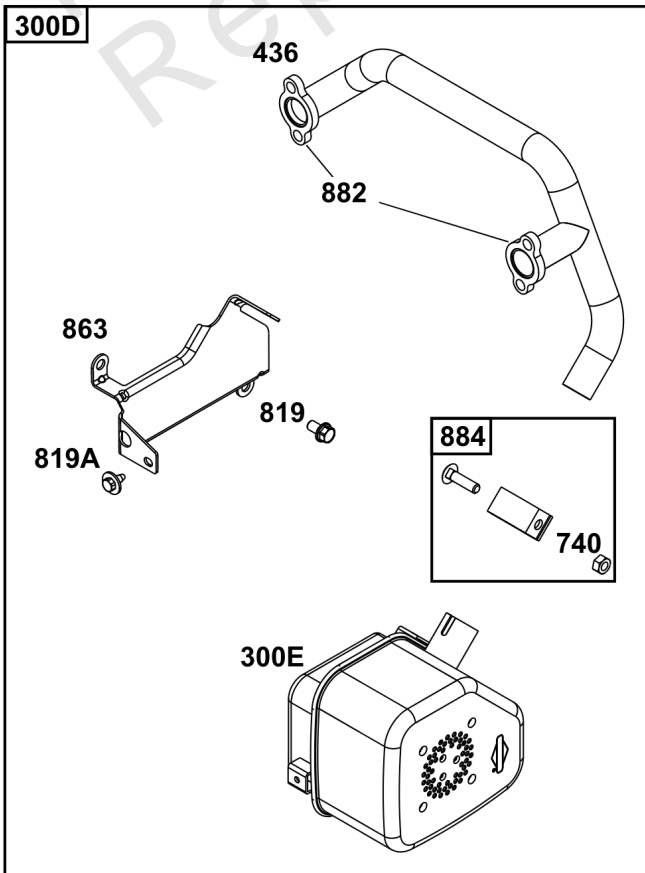
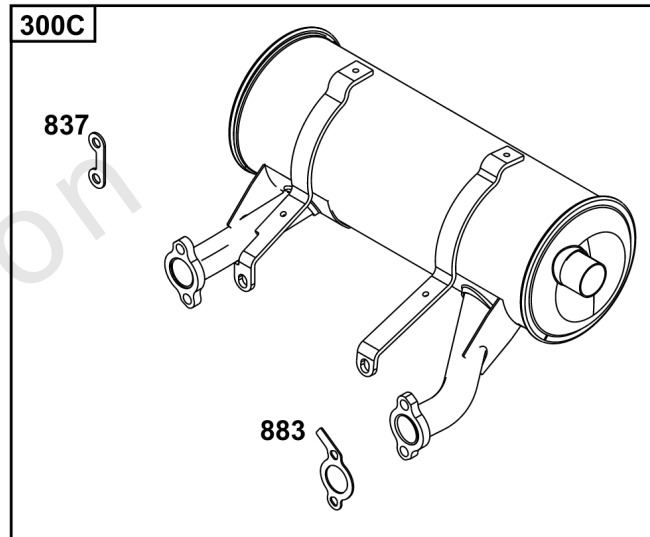
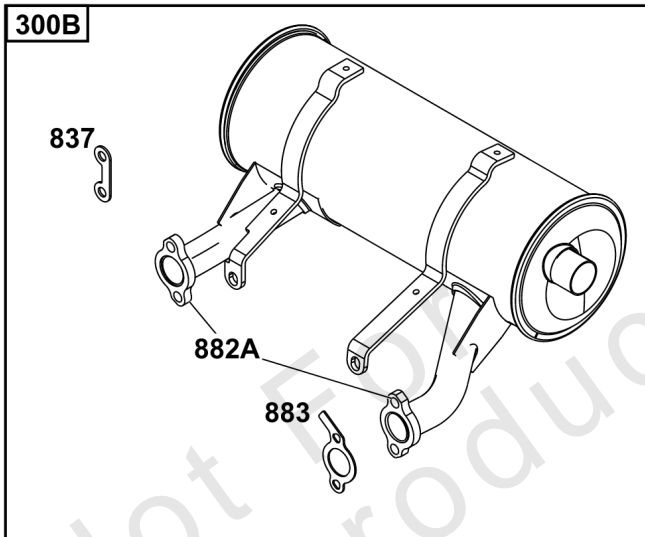
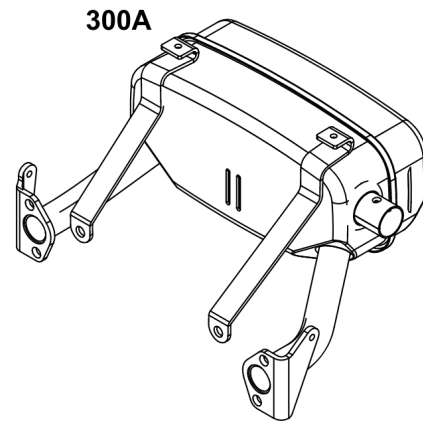
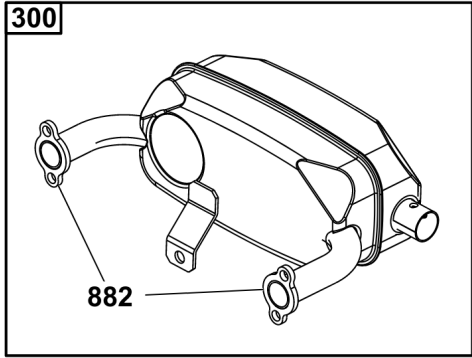
REF NO	PART NO	QTY	DESCRIPTION
9000	84004936		KIT, Maintenance -(Non-Oil Guard™ Engines) (20 - 23 HP)
9000A	84004937		KIT, Maintenance -(Non-Oil Guard™ Engines) (12.5 - 18 HP)
9000B	84002315		KIT, Maintenance -(Non-Oil Guard™ Engines)
240	845125	1	FILTER, Fuel
240A	84001895	1	FILTER, Fuel
337	491055S	2	PLUG, Spark
337	84007216	2	PLUG, Spark -(China Only)
445	692519	1	FILTER, A/C Cartridge -"Professional / PXi" & "Commercial / CXi".
445A	394018S	1	FILTER, A/C Cartridge -"Professional / PXi" & "Commercial / CXi".
445B	841497	1	FILTER, A/C Cartridge -"Professional / PXi" & "Commercial / CXi".
967	692520	1	FILTER, Pre Cleaner
967A	272490S	1	FILTER, Pre Cleaner
1027	842921	1	FILTER, Oil -(Vanguard®)
1505	100169		OIL-1QT VANGUARD (CASE) -(1 qt. Bottle)



Not For
Reproduction

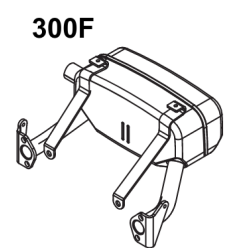
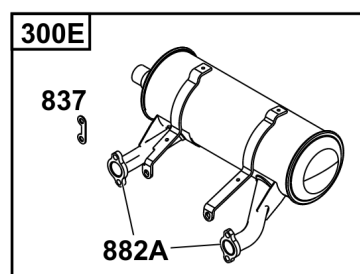
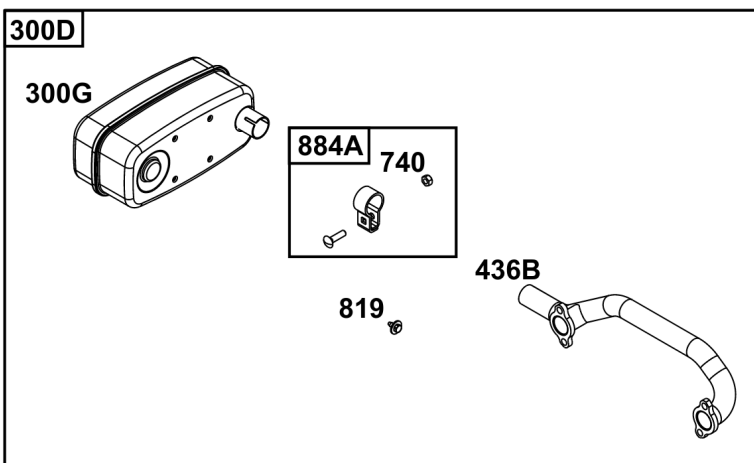
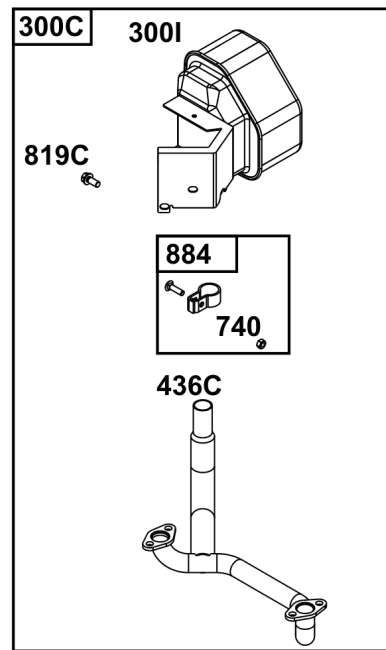
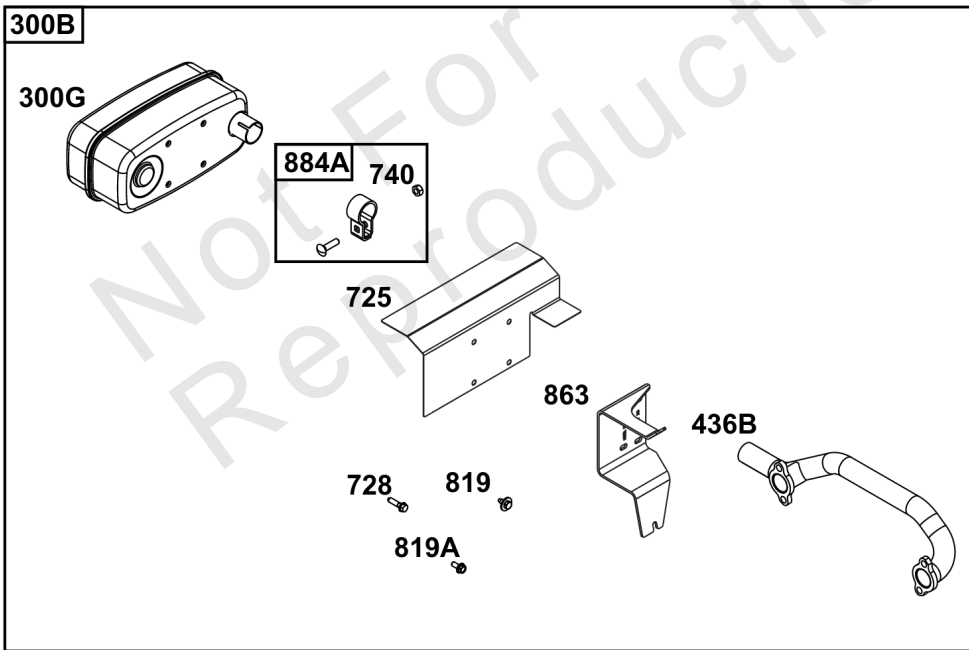
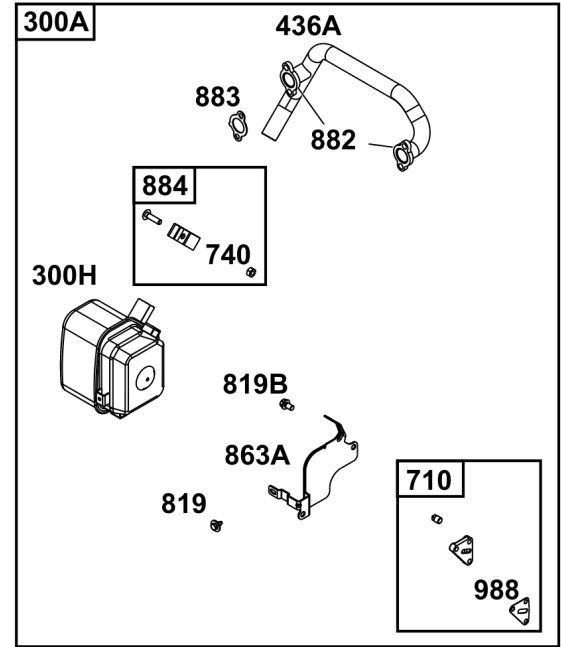
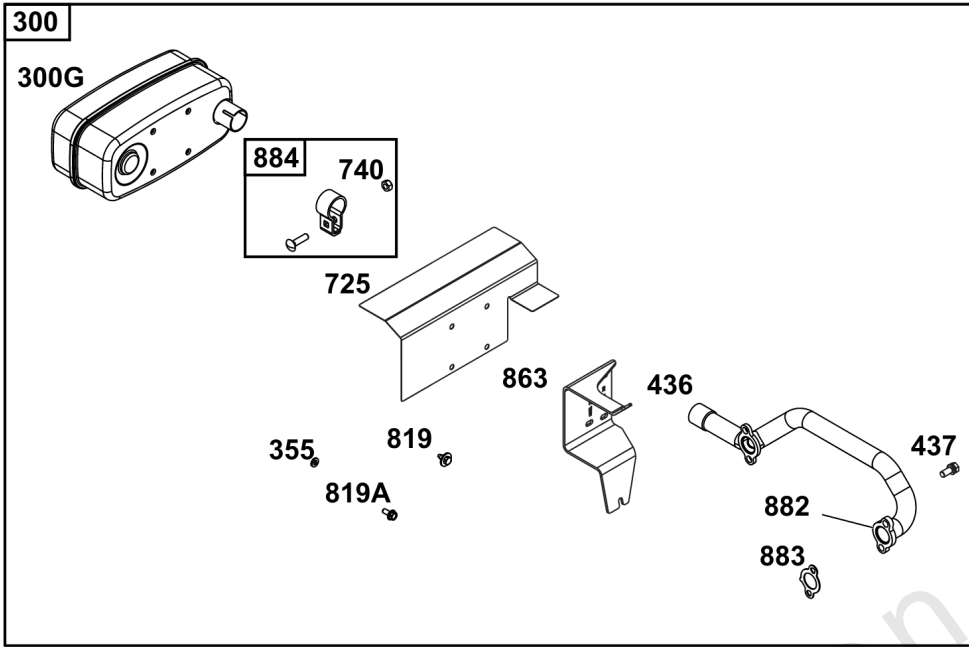
Lubrication

REF NO	PART NO	QTY	DESCRIPTION
186	796532	1	CONNECTOR, Hose -(Threaded Engine Block Connector for EZ-Oil Drain Hose)(Order hose separate)
239	690233	1	SWITCH, Oil Pressure -(2-4 PSI Normally-Closed Switch)
239A	491657S	1	SWITCH, Oil Pressure -(3-5 PSI Normally-Closed Switch)
239B	841281	1	SWITCH, Oil Pressure -(7-10 PSI Normally-Closed Switch)
239C	694115	1	SWITCH, Oil Pressure -(9-13 PSI Normally-Closed Switch)
239D	697049	1	SWITCH, Oil Pressure -(3-6 PSI Normally-Open Switch)
295	492061	1	ADAPTER, Remote Oil Filter -(Remote oil filter head with 18" (48 cm) hoses)
295	492062	1	ADAPTER, Remote Oil Filter -(Remote oil filter head with 30" (76 cm) hoses)
512	594200	1	HOSE, Oil Drain -(EZ-Oil Drain Hose, 10.5")(Order threaded engine block connector separate)
512	593635	1	HOSE, Oil Drain -(EZ-Oil Drain Hose, 13.75")(Order threaded engine block connector separate)
512B	1723165SM	1	HOSE, Oil Drain, 10-1/2" Long, 3/8-18 Fittings -(10.5")
512C	5048681SM	1	HOSE, OIL DRAIN -(12.5")
517	593633	1	RETAINER, Oil Drain
988	692063	1	GASKET, Oil Adapter
1027	492932S	1	FILTER, Oil
1028	492687	1	ADAPTER, Oil Filter -(Adapter Kit for mounting remote oil filter)
1028A	495244	1	ADAPTER-OIL FILTER -(Remote oil filter mounting head with fittings)
1346	844802	1	VALVE, Oil Drain Shut Off
1346A	492031	1	VALVE, Oil Drain Shut Off
1346B	5401WEB	1	VALVE, Oil Drain Shut Off -(1/4 Turn Oil Drain Valve with Hose)
1505	100169		OIL-1QT VANGUARD (CASE) -(1 qt. Bottle)
1505A	100170		OIL-5QT VANGUARD (CASE) -(5 qt. Bottle)
1600	494724	2	HOSE, Remote Oil Filter -(Hoses only (2) 18" (48 cm))
1600	494725	2	HOSE, Remote Oil Filter -(Hoses only (2) 30" (76 cm))



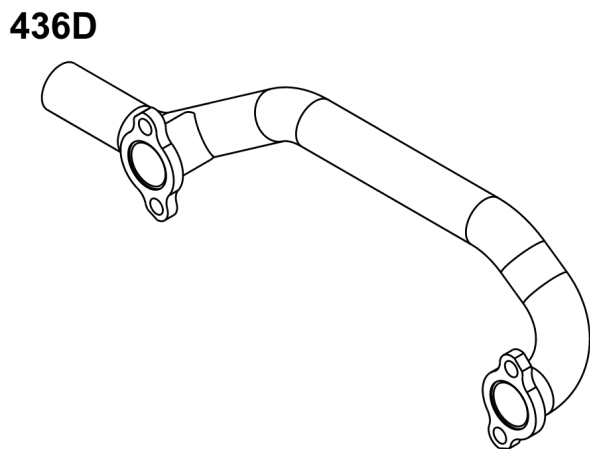
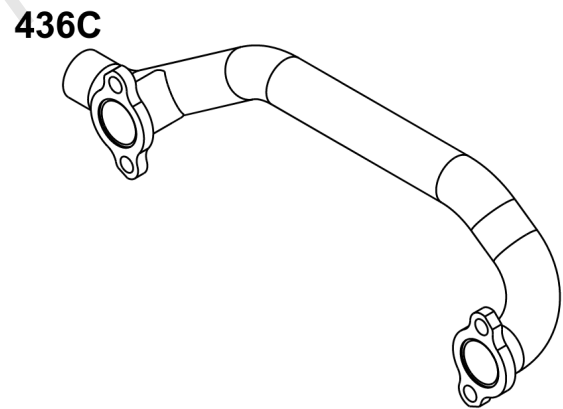
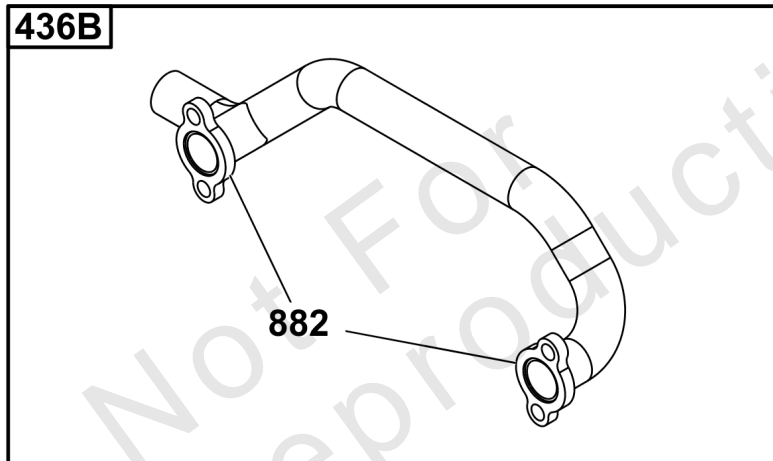
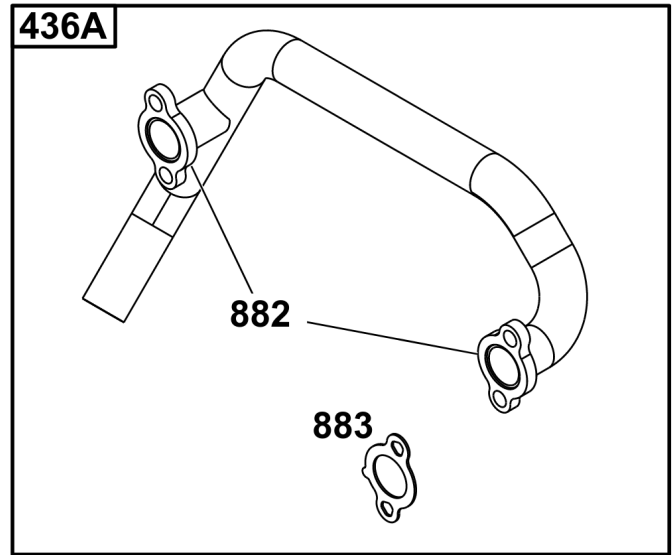
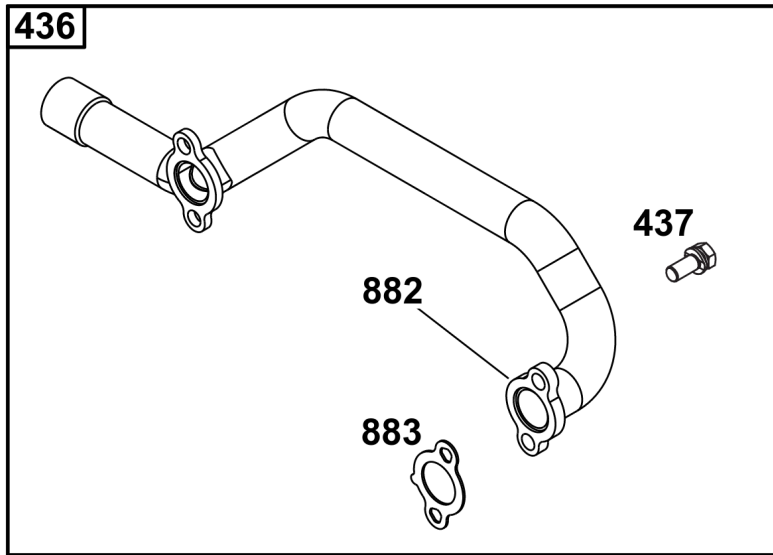
Starter Motor Side Outlet Mufflers

REF NO	PART NO	QTY	DESCRIPTION
300	690931	1	MUFFLER -(Super Lo-Tone) (Horizontal: 3054, 3564)
300A	690906	1	MUFFLER -(Super Lo-Tone) (Horizontal: 3054, 3564)
300B	808705	1	MUFFLER -(5" Round) (Horizontal: 3854, 3864)
300C	845873	1	MUFFLER -(5" Round, Stainless Steel) (Horizontal: 3854, 3864)
300D	995005	1	MUFFLER ASSY -(Lo-Tone) (Horizontal: 3054, 3564)
300E	692099	1	MUFFLER -(Lo Mount)
436	691499	1	MANIFOLD, Exhaust -(Cylinder 1) (Side Outlet)
740	793859	1	NUT
819	692056	2	SCREW -(Muffler Bracket) (M8x1.25)
819A	691514	2	SCREW -(Muffler Bracket) (M6 X 1.0)
837	808085	2	SPACER, Muffler -(Includes 2)
863	690756	1	BRACKET, Muffler -(Cylinder 1) (Side Outlet)
882	692074	2	FLANGE, Exhaust
882A	806965	2	FLANGE, Exhaust
883	806425	2	GASKET, Exhaust
884	690898	1	CLAMP, Muffler



Oil Filter Side Outlet Mufflers

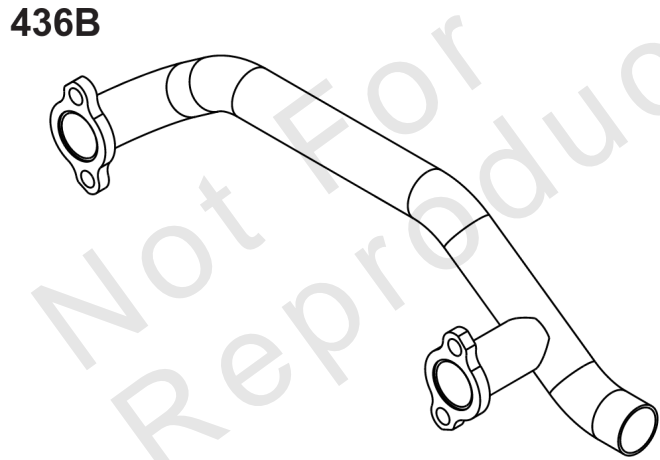
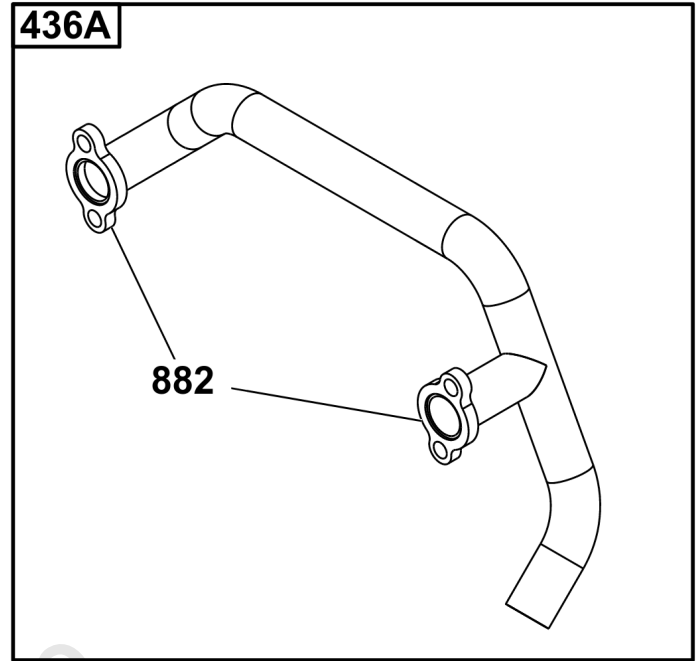
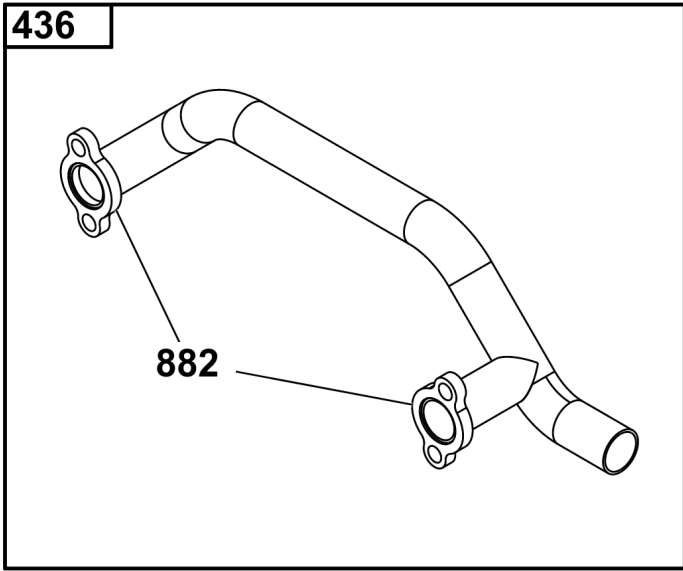
REF NO	PART NO	QTY	DESCRIPTION
300	995002	1	HIGH MNT SPR LO-TONE OIL FLTR SIDE -(Super Lo-Tone) (Horizontal: 3054, 3564) (Vertical: 3567)
300A	995000	1	OIL FILTER SIDE LO-MT -(Lo-Tone) (Horizontal: 3054, 3564) (Requires 808033 Oil Filter Adaptor)
300B	995004	1	HI MNT SPR LO-TONE OIL FLT SIDE -(Super Lo-Tone) (Horizontal: 3854, 3864) (Vertical: 3867)
300C	995009	1	COMMERCIAL MOWERS KIT -(For Wide Area Walker) (Vertical: 3567)
300D	995010	1	COMMERCIAL MOWERS KIT -(Vertical: 3867)
300E	808896	1	MUFFLER
300F	691562	1	MUFFLER -(Super Lo-Tone) (Horizontal: 3054, 3564)
300G	498984S	1	MUFFLER -(Super Lo Tone)
300H	807948	1	MUFFLER -(Lo Mount)
300I	807953	1	MUFFLER
355	842122	2	WASHER -(Muffler Bracket)
436	805609	1	MANIFOLD, Exhaust -(Cylinder 2) (Side Outlet)
436A	692061	1	MANIFOLD, Exhaust -(Cylinder 2) (Side Outlet)
436B	808916	1	MANIFOLD, Exhaust -(Cylinder 2) (Side Outlet)
436C	805778	1	MANIFOLD, Exhaust -(Wide Area Walker)
437	691902	4	SCREW -(Exhaust Manifold)
710	807689	1	COVER, Oil Filter
725	806102	1	SHIELD, Heat
728	690297	2	SCREW
740	793859	1	NUT
819	691514	2	SCREW -(Muffler Bracket) (M6 X 1.0)
819A	807084	2	SCREW -(Muffler Bracket)
819B	692056	2	SCREW -(Muffler Bracket) (M8x1.25)
819C	692062	2	SCREW -(Muffler Bracket)
837	808085	2	SPACER, Muffler -(Includes 2)
863	806759	1	BRACKET, Muffler
863A	691513	1	BRACKET, Muffler
882	692074	2	FLANGE, Exhaust -(3054 & 3564)
882A	806965	2	FLANGE, Exhaust
883	691613	2	GASKET, Exhaust
884	690898	1	CLAMP, Muffler
884A	691956	1	CLAMP, Muffler
988	690687	1	GASKET, Oil Adapter



Oil Filter Side Outlet Manifolds

REF NO	PART NO	QTY	DESCRIPTION
436	805609	1	MANIFOLD, Exhaust -(Vertical: 3567)
436A	692061	1	MANIFOLD, Exhaust -(Horizontal: 3054, 3564)
436B	691501	1	MANIFOLD, Exhaust -(Horizontal: 3054, 3564)
436C	808908	1	MANIFOLD, Exhaust -(Horizontal: 3854, 3864)
436D	808916	1	MANIFOLD, Exhaust -(Horizontal: 3854, 3864) (Vertical: 3867)
437	691902	4	SCREW -(Exhaust Manifold)
882	692074	2	FLANGE, Exhaust
883	691613	2	GASKET, Exhaust

Not For Reproduction

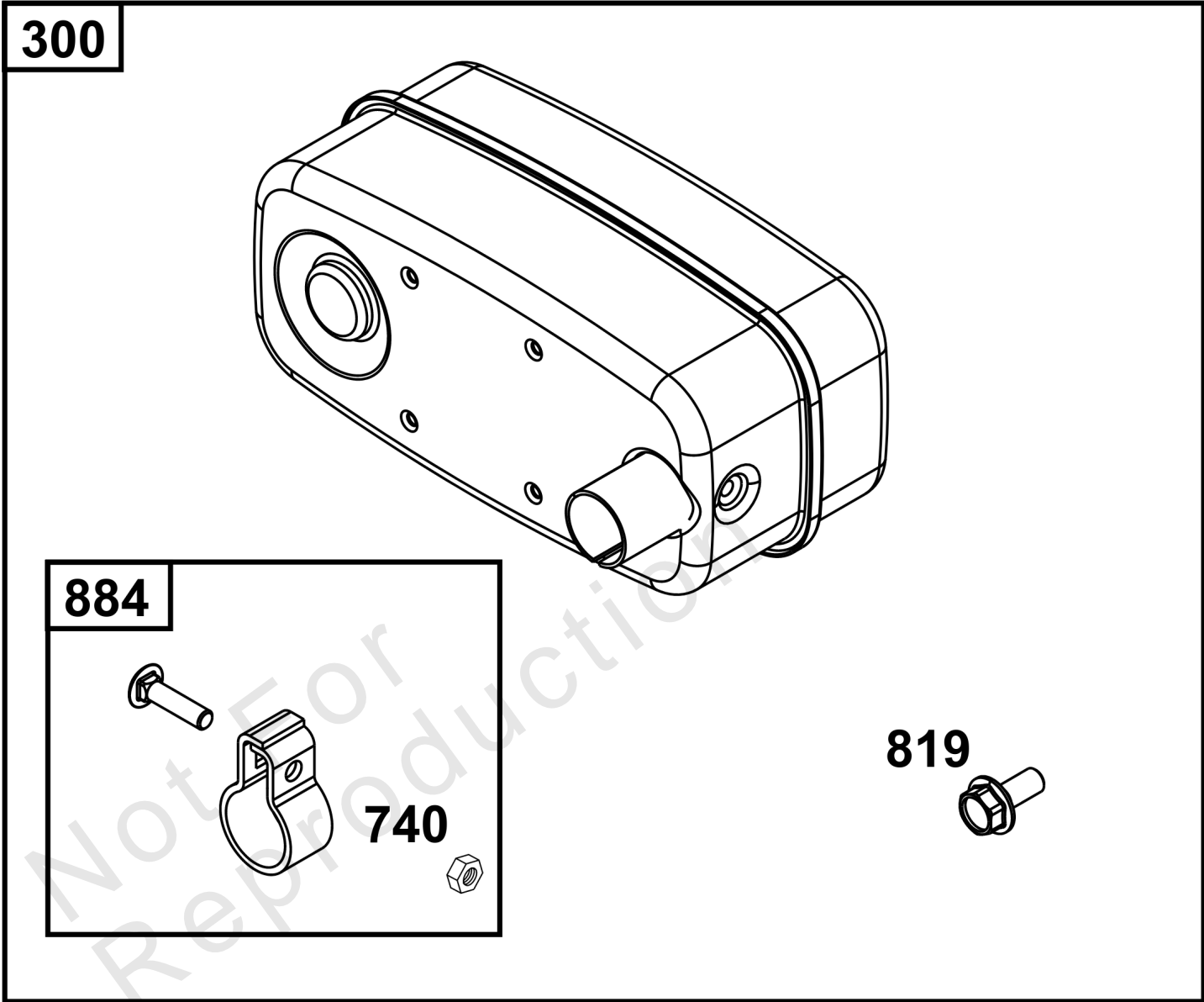


Not For
Reproduction

Starter Motor Side Outlet Manifolds

REF NO	PART NO	QTY	DESCRIPTION
436	691502	1	MANIFOLD, Exhaust -(Horizontal: 3054, 3564)
436A	691499	1	MANIFOLD, Exhaust -(Horizontal: 3054, 3564)
436B	808909	1	MANIFOLD, Exhaust -(Horizontal: 3854, 3864) (Vertical: 3867)
882	692074	2	FLANGE, Exhaust

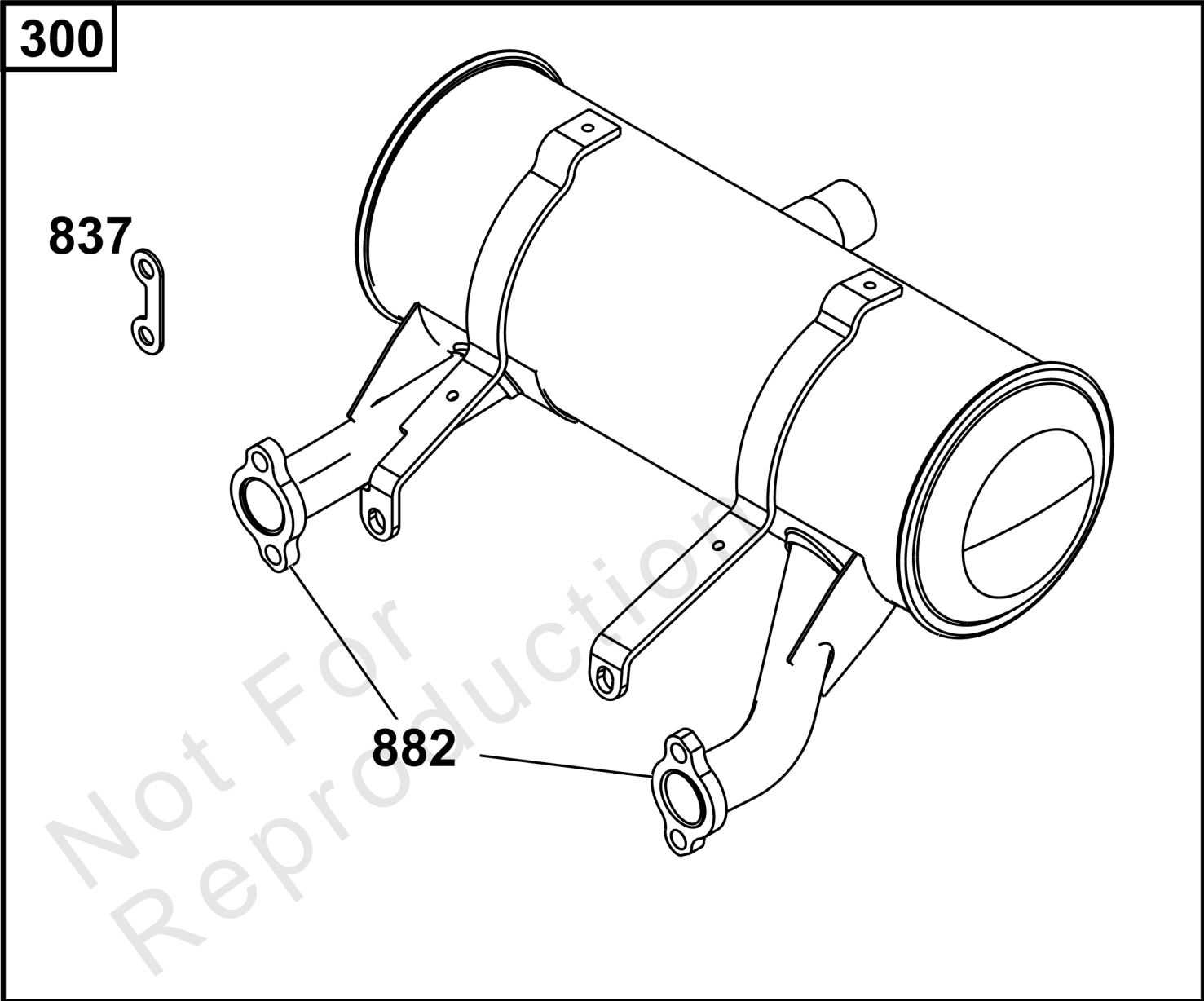
Not For Reproduction



Mufflers

REF NO	PART NO	QTY	DESCRIPTION
300	995018	1	MUFFLER -(Inlet I.D. 1.14" (28.9mm))
740	793859	1	NUT
819	807084	4	SCREW
884	691956	1	CLAMP, Muffler

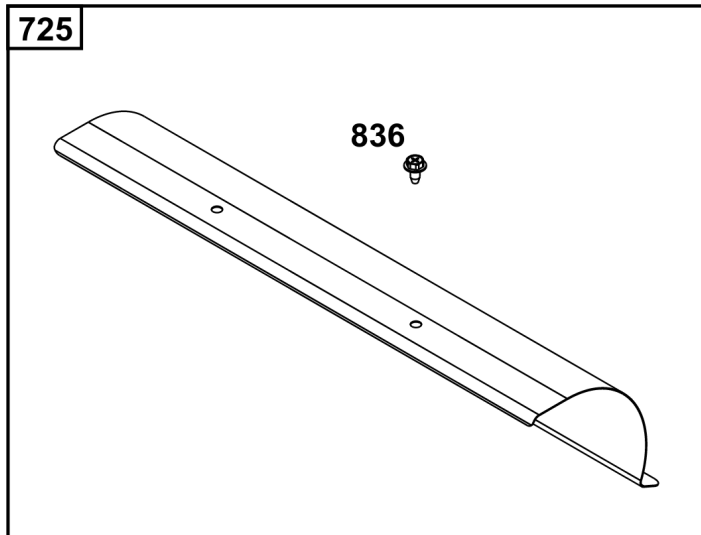
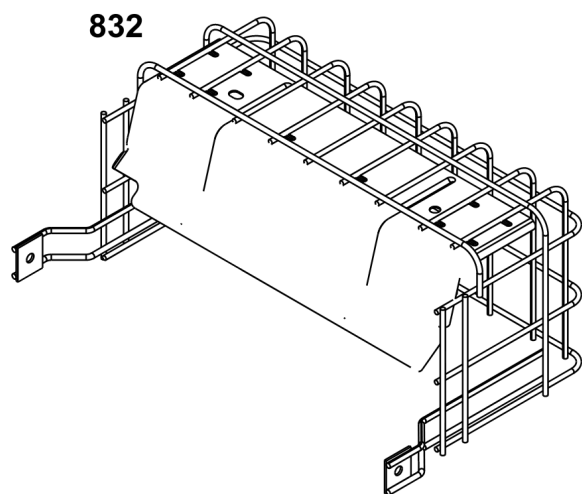
Not For Reproduction



Center Outlet Mufflers

REF NO	PART NO	QTY	DESCRIPTION
300	808911	1	MUFFLER -(5" Round) (Horizontal: 3854, 3864)
837	808085	2	SPACER, Muffler
882	806965	2	FLANGE, Exhaust

Not For Reproduction

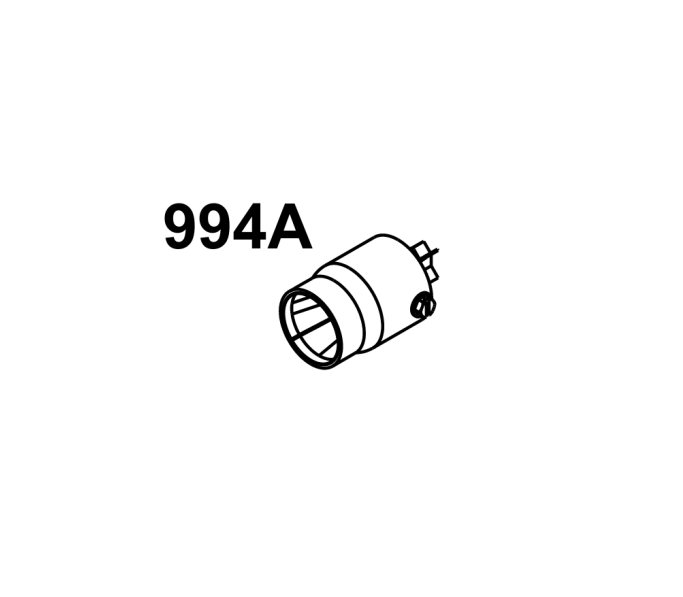
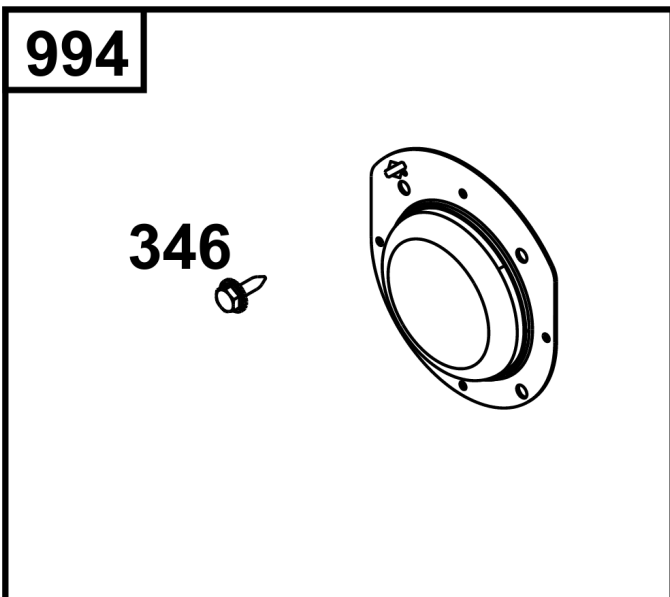
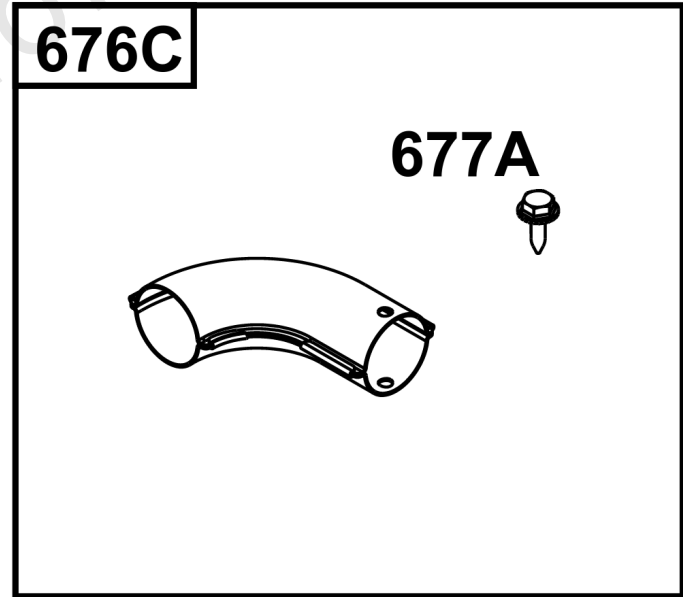
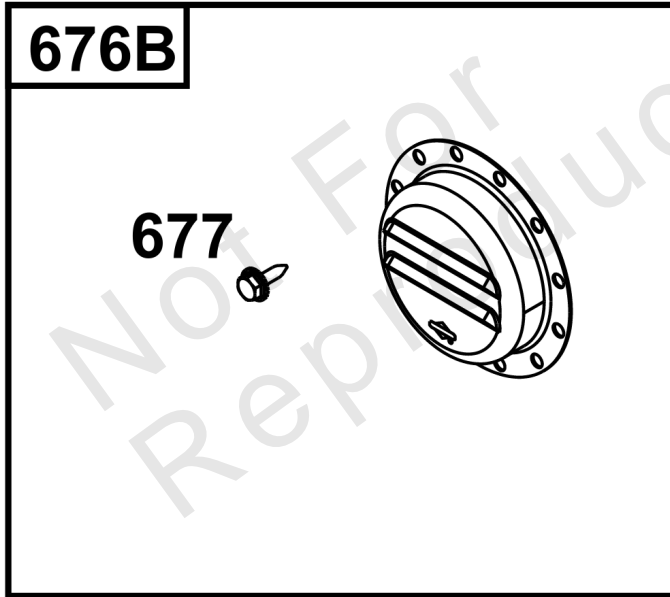
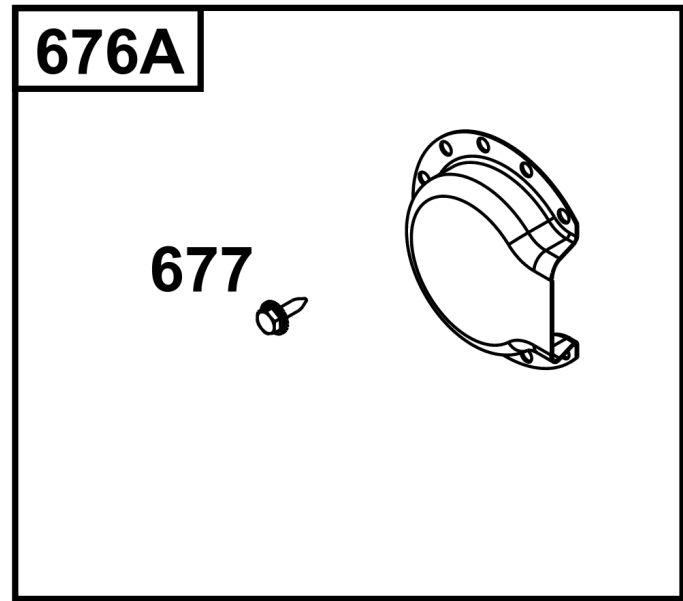
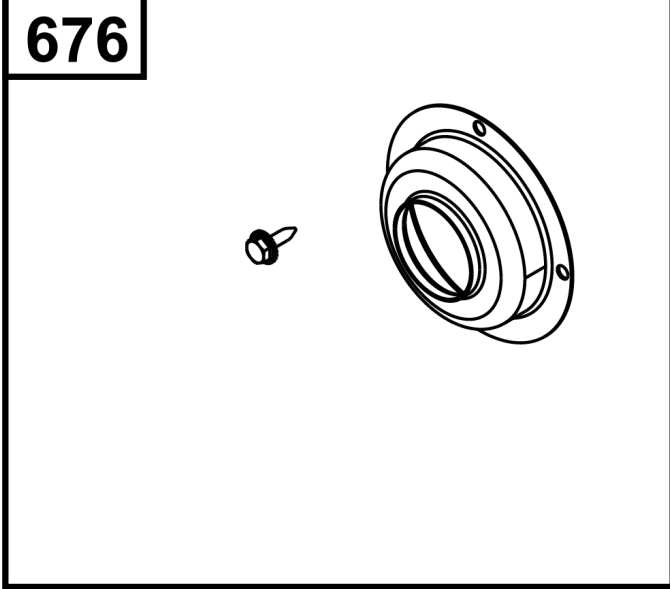


Not For
Reproduction

Muffler Guards and Shields

REF NO	PART NO	QTY	DESCRIPTION
725	846568	1	SHIELD, Heat -(For 5" Round Mufflers) (Horizontal: 3854, 3864)
832	691571	1	GUARD, Muffler -(Assembly for 690906 & 691562) (Horizontal: 3054, 3564)
836	692067	4	SCREW

Not For Reproduction



Spark Arrestors and Deflectors

REF NO	PART NO	QTY	DESCRIPTION
346	794845	4	SCREW -(Spark Arrestor)
676	396903	1	DEFLECTOR, Muffler -(Direct Outlet) (Face Mounting with 4 Screws)
676A	795036	1	DEFLECTOR, Muffler -(Deflector 90 Degree) (Face Mounting with 4 Screws)
676B	795038	1	DEFLECTOR, Muffler -(Deflector Louvered) (Face Mounting with 4 Screws)
676C	495518	1	DEFLECTOR, Muffler -(Elbow for Muffler Assembly) (For Exit Pipe O.D. of 1.10" (28mm))
677	794845	4	SCREW -(Muffler Deflector)
677A	810079	1	SCREW -(Muffler Deflector)
994	794945	1	ARRESTOR, Spark -(Spark Arrestor) (Face Mounting with 4 Screws)
994A	594562	1	ARRESTOR, Spark -(Spark Arrestor) (For Exit Pipe O.D. of 1.10" (28mm))

Not For Reproduction

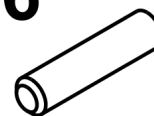
613



1177



296



883



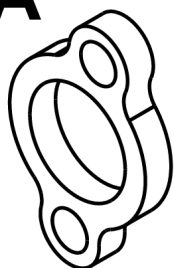
883A



882



882A

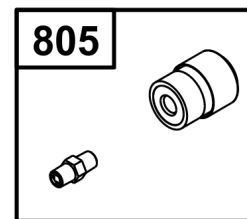
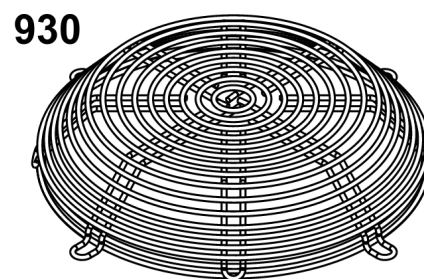
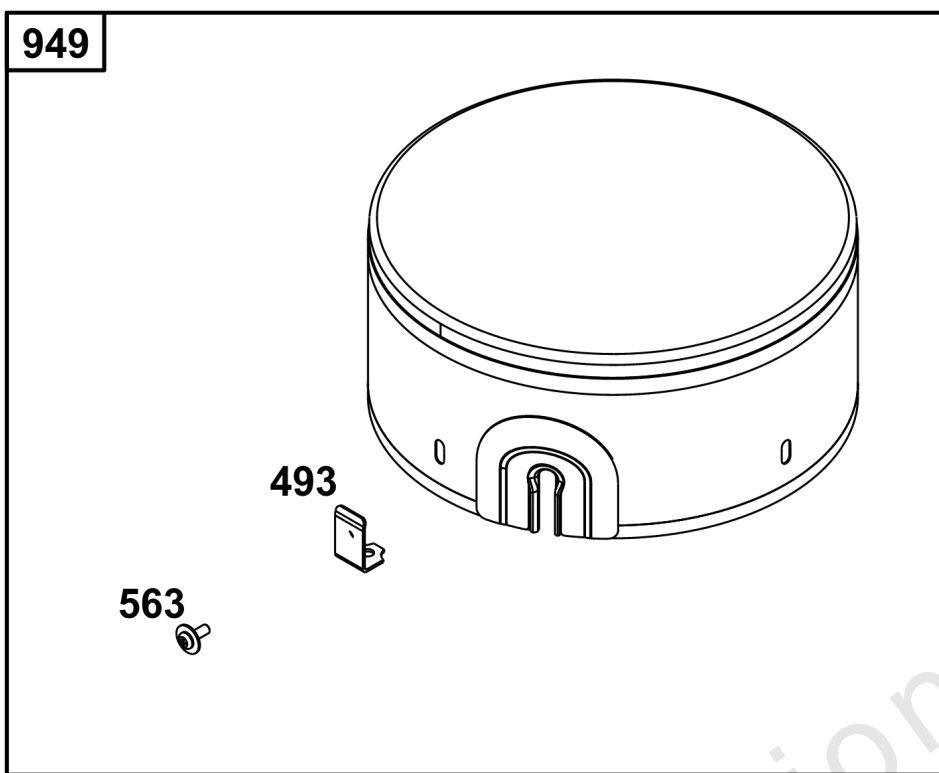


Not for
Reproduction

Muffler Mounting Hardware

REF NO	PART NO	QTY	DESCRIPTION
296	841185	4	STUD -(Mounting Mufflers)
613	691902	4	SCREW -(Mounting Mufflers)
882	692074	2	FLANGE, Exhaust -(3054 & 3564)
882A	806965	2	FLANGE, Exhaust -(3854 & 3864)
883	806425	2	GASKET, Exhaust -(Horizontal: 3854, 3864) (Vertical: 3567)
883A	691613	2	GASKET, Exhaust -(Horizontal: 3054, 3564) (Vertical: 3567)
1177	842067	4	NUT -(Required if Using 841185)

Not For Reproduction

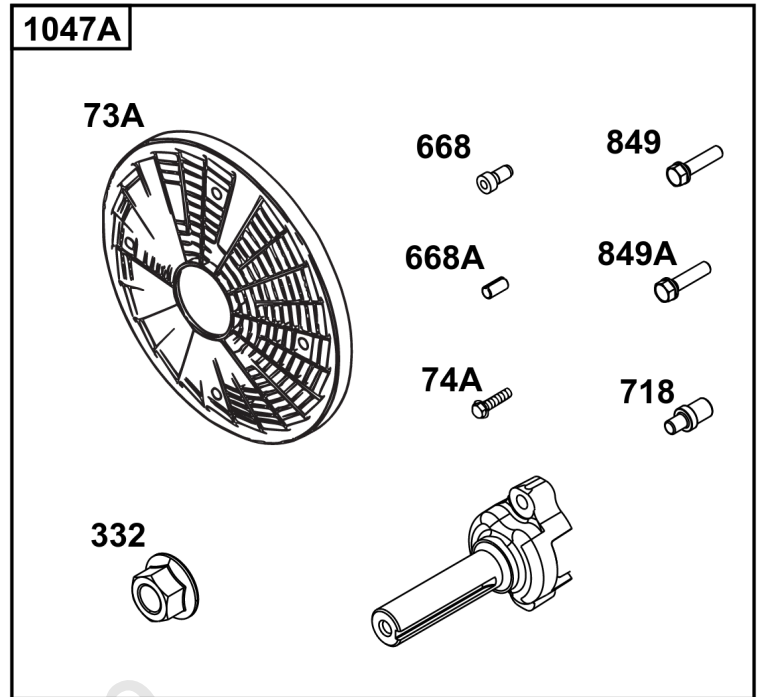
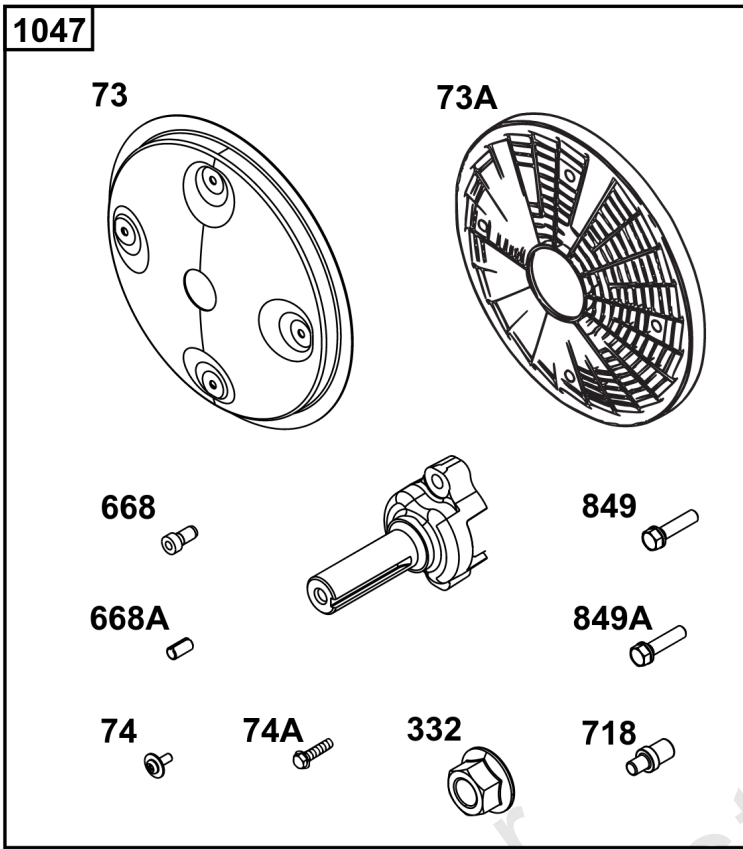


Not For
Reproduction

Flywheel and Air Intake Guards

REF NO	PART NO	QTY	DESCRIPTION
493	845729	4	BRACKET, Mounting
563	841441	4	SCREW
805	843024	1	MINDER, Filter -(For Engines with Cyclonic Air Filter)
930	846284	1	GUARD, Flywheel Fan
949	845728	1	GUARD, Debris Screen -(Vertical: 3867)

Not For Reproduction

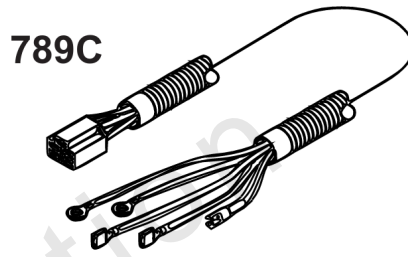
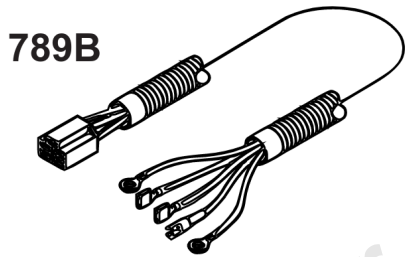
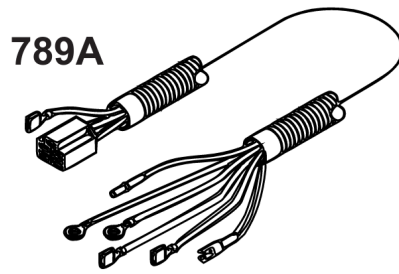
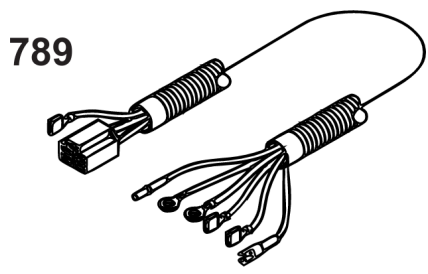


Not For
Reproduction

PTO

REF NO	PART NO	QTY	DESCRIPTION
73	841582	1	SCREEN, Rotating
73A	494439	1	SCREEN, Rotating
74	841441	4	SCREW -(Rotating Screen)
74A	691647	4	SCREW -(Rotating Screen)
332	690887	1	NUT -(Flywheel)
668	691500	4	SPACER -(Rotating Screen)
668A	691215	4	SPACER -(Rotating Screen)
718	841581	1	PIN, Locating -(32MM)
849	691088	2	SCREW -(Stub Shaft)
849A	846236	2	SCREW -(Stub Shaft)
1047	841580	1	SHAFT, Stub -(1" Diameter) (4.75" Length)
1047A	842655	1	SHAFT, Stub -(1" Diameter) (5.43" Length)

Not For Production



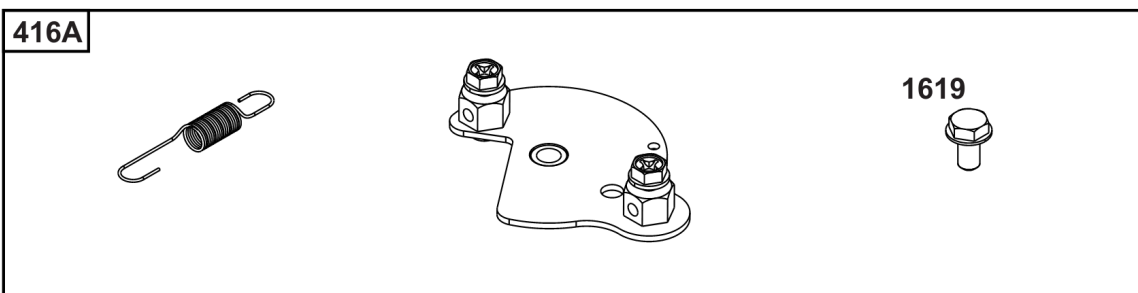
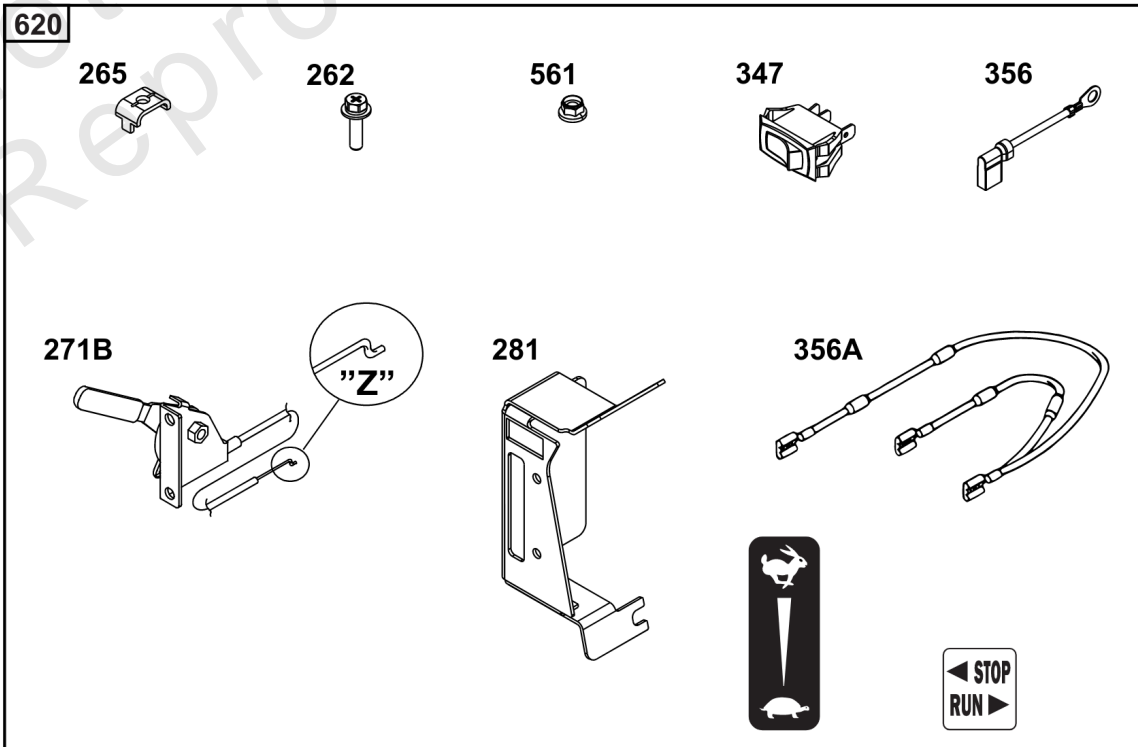
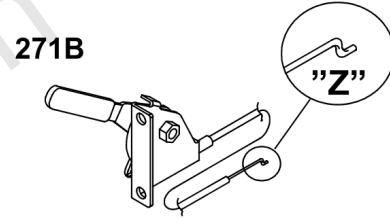
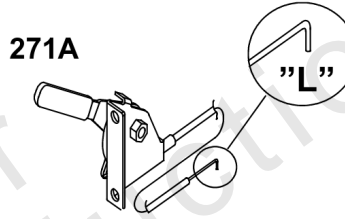
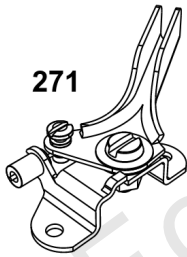
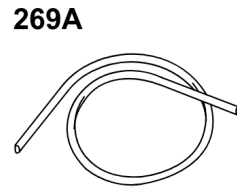
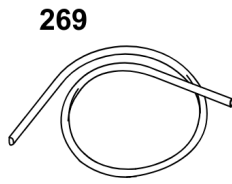
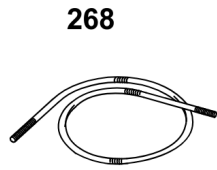
578

A wiring harness consisting of ten individual wires of different colors: orange, light orange, black, purple, blue, green, yellow, red, yellow, and grey. Each wire has a specific connector at the end. To the right, a diagram shows a 'LOOSE CONNECTOR' (TE # 1-480704-0) being inserted into a 'MATE-N-LOK 6 POSITION HOUSING'.

Electrical

REF NO	PART NO	QTY	DESCRIPTION
415	1714480SM	1	PLUG -(Plug for Ignition Switch Removal)
578	84007350	1	WIRE ASSEMBLY -(Aids in Repowering Engine Application with 6-Pin Connector and Wires with Terminals to Create Custom Adapter Configurations)
789	691996	1	HARNESS, Wiring -(For 16 Amp Alternators)
789A	841318	1	HARNESS, Wiring -(For 16 Amp Alternators with Solenoid Shift Starter)
789B	847601	1	HARNESS, Wiring -(For 20 Amp Alternators)
789C	847602	1	HARNESS, Wiring -(For 20 Amp Alternators with Solenoid Shift Starter)

Not For Reproduction



Speed Control

REF NO	PART NO	QTY	DESCRIPTION
262	841552	1	SCREW
265	691024	1	CLAMP, Casing -(Casing Clamp for Hard Casing)
265A	690798	1	CLAMP, Casing -(Casing Clamp for Soft Casing)
267	792629	1	SCREW -(Screw for Casing Clamp)
268	691025	1	CASING, Control Wire -(Wire Casing 72")
269	26634	1	WIRE, Control -(Control Wire 78")
269A	93907	1	WIRE, Control -(Control Wire 100")
270	691027	1	NUT -(Nut for Wire Casing)
271	691028	1	LEVER, Control -(Speed Control Lever Assembly)
271A	692105	1	LEVER, Control -(Speed Control Lever Assembly) ('L' Shaped End)
271B	692541	1	LEVER, Control -(Speed Control Lever Assembly) ('Z' Shaped End)
281	690742	1	PANEL, Control
347	691995	1	SWITCH-ROCKER
356	690796	1	WIRE, Stop
356A	691999	1	WIRE ASSEMBLY
416	595196	1	BRACKET, Throttle Cable -(Casing Clamp for Snap-In Casing)
416A	84006945	1	BRACKET, Throttle Cable
561	806447	1	NUT
620	494052	1	BRACKET, Control -(Throttle Control for Vanguard V-Twin Horizontal Small Block)
1619	691693	1	SCREW

