

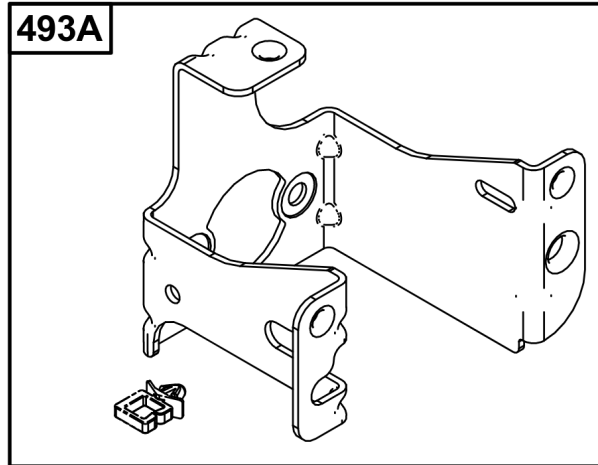
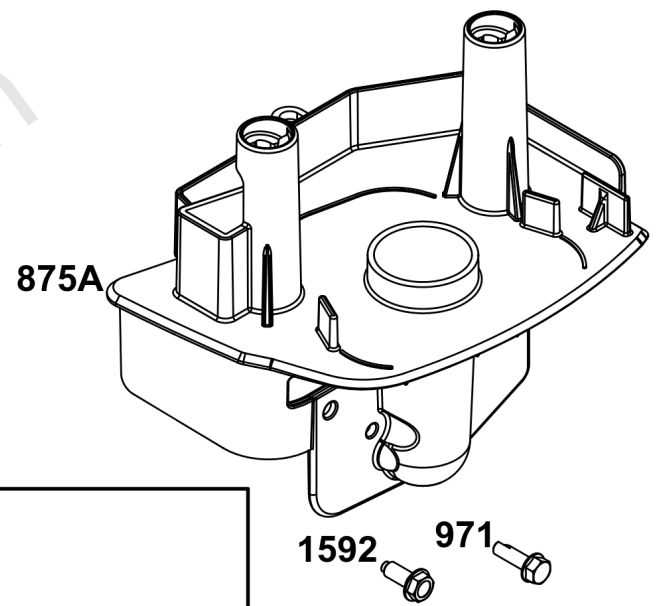
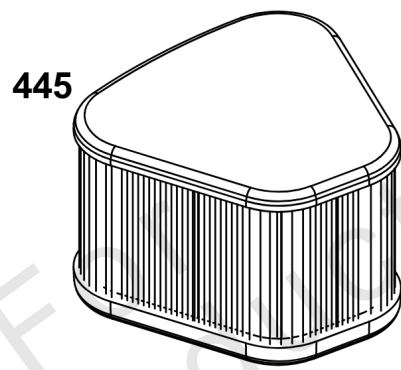
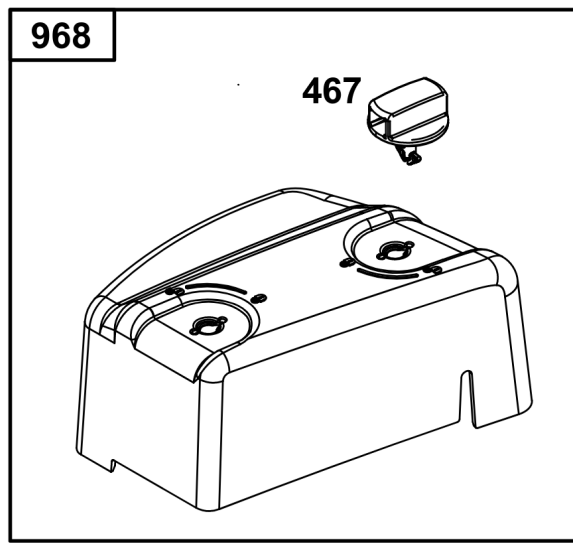
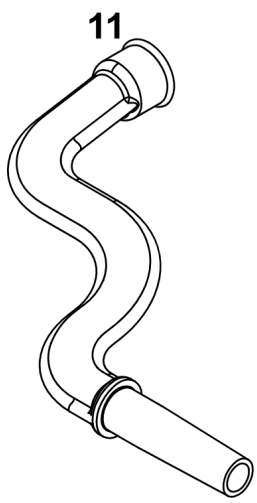


Parts Manual

Mfg. No: 125P02-0070-F1

Model Components	Page
Air Cleaner Group.....	4
Blower Housing Group.....	6
Carburetor Group.....	8
Controls Group.....	10
Crankcase Cover/Sump and Lubrication Group.....	12
Crankshaft Group.....	14
Cylinder Group.....	16
Cylinder Head Group.....	18
Exhaust Group.....	20
Flywheel, Ignition, and Starter Group.....	22
Fuel Supply Group.....	24
Replacement Engine US & Canada.....	26

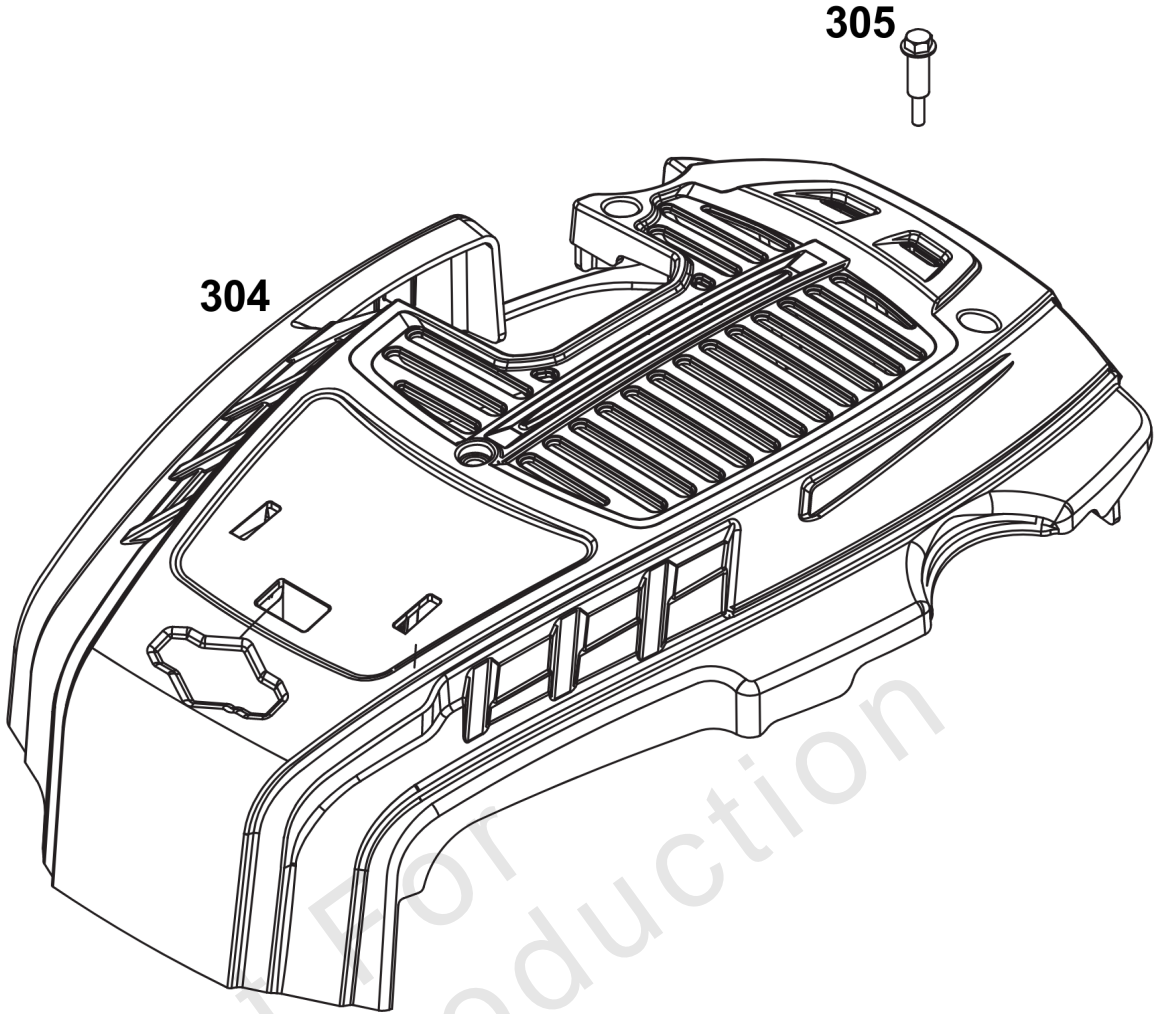
Not For
Reproduction



Air Cleaner Group

REF NO	PART NO	QTY	DESCRIPTION
11	84006681	1	TUBE, Breather
445	597265	1	FILTER, A/C Cartridge
467	597244	2	KNOB, Air Cleaner Cover
493A	-----	1	BRACKET, Mounting -(Part information located in Carburetor Group.)
875A	84006040	1	BASE, Air Cleaner
968	597263	1	COVER, Air Cleaner
971	590552	2	SCREW -(Air Cleaner Base To Carburetor/Throttle Body)
1592	793480	2	SCREW -(Air Cleaner Base to Mounting Bracket)

Not For Reproduction

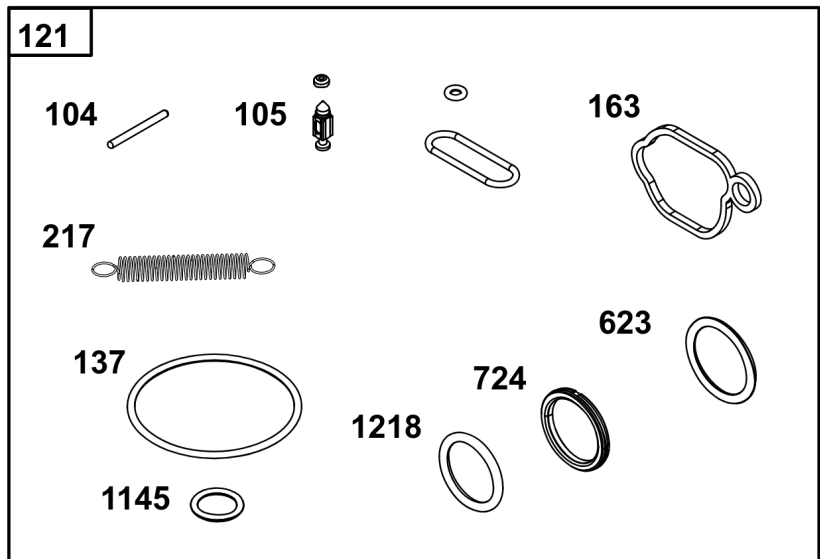
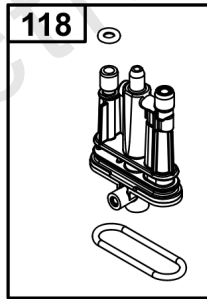
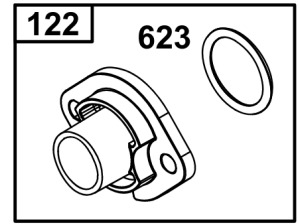
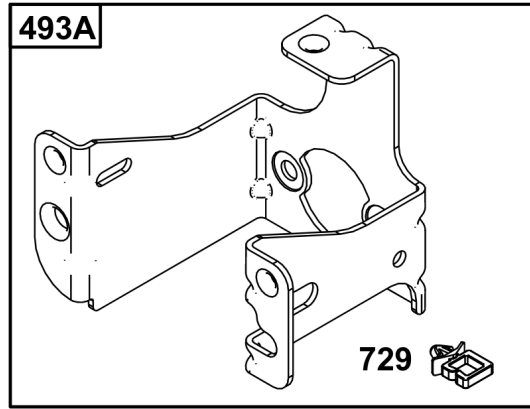
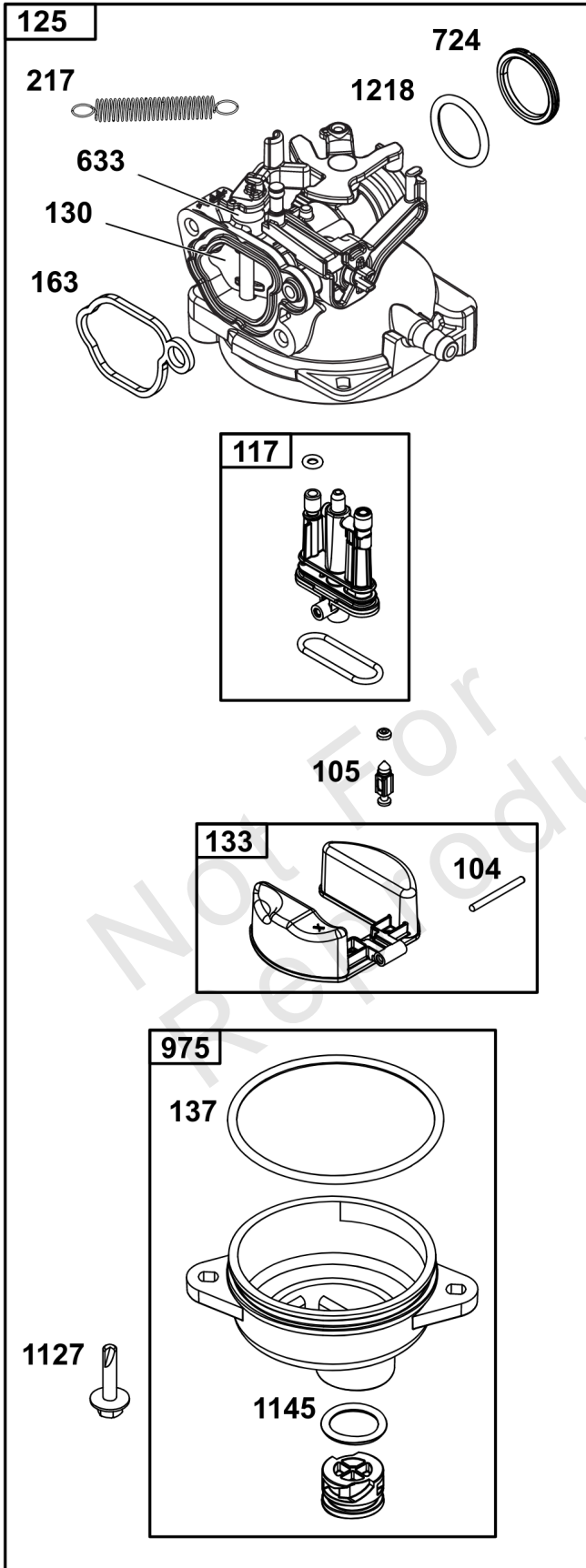
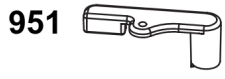


- 1036
- 1319
- 1319A
- 1319B

Blower Housing Group

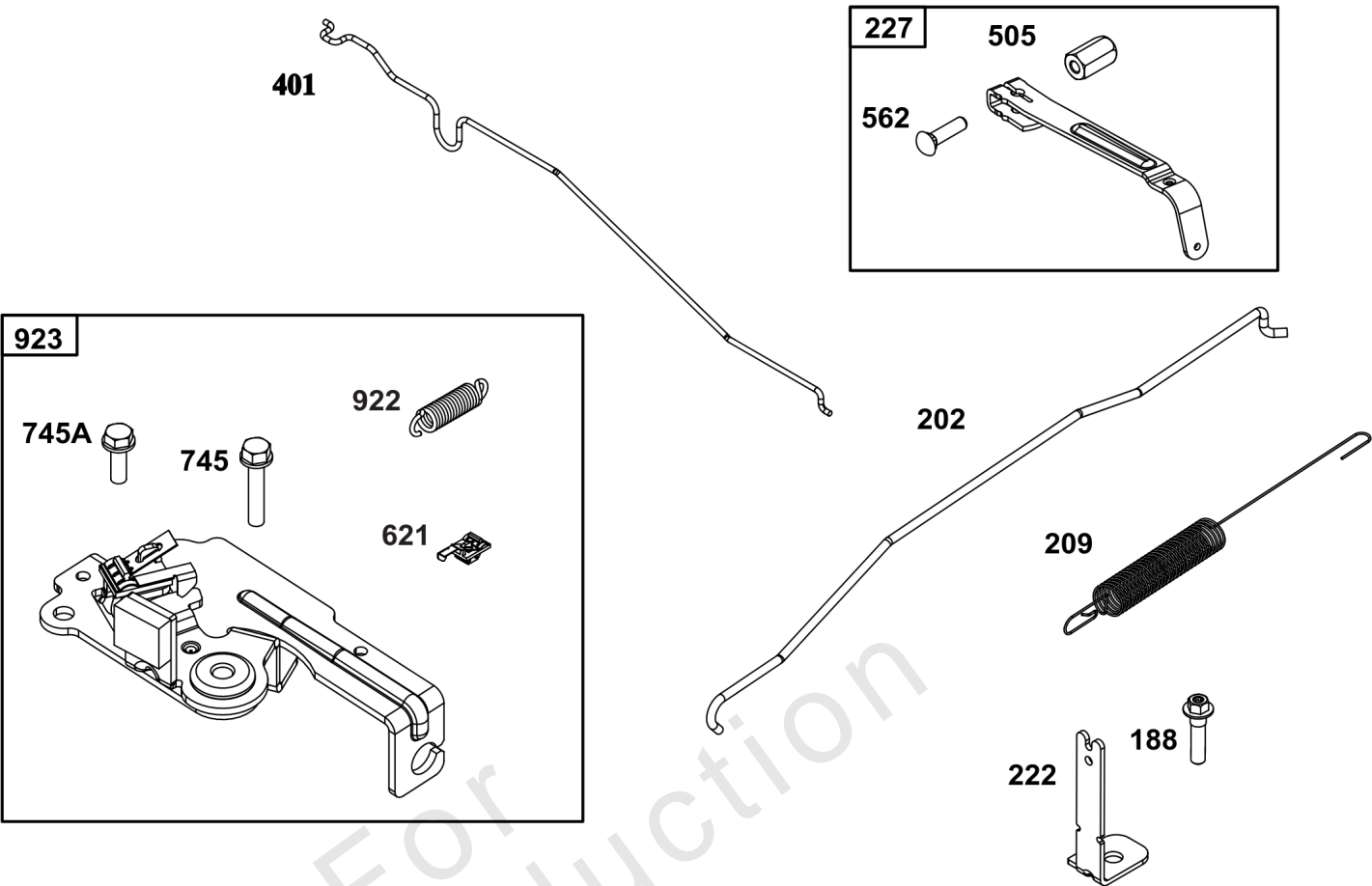
REF NO	PART NO	QTY	DESCRIPTION
304	597411	1	HOUSING, Blower
305	594115	3	SCREW -(Blower Housing)
1036	-----	1	LABEL, Emissions -(Available From A Briggs & Stratton Authorized Service Dealer)
1319	794467	1	LABEL, Warning -(Required When Replacing Parts With Warning Labels Affixed)
1319A	797669	1	LABEL, Warning -(Required When Replacing Parts With Warning Labels Affixed)
1319B	278911GS	1	LABEL, Warning -(Required When Replacing Parts With Warning Labels Affixed)

Not For Reproduction



Carburetor Group

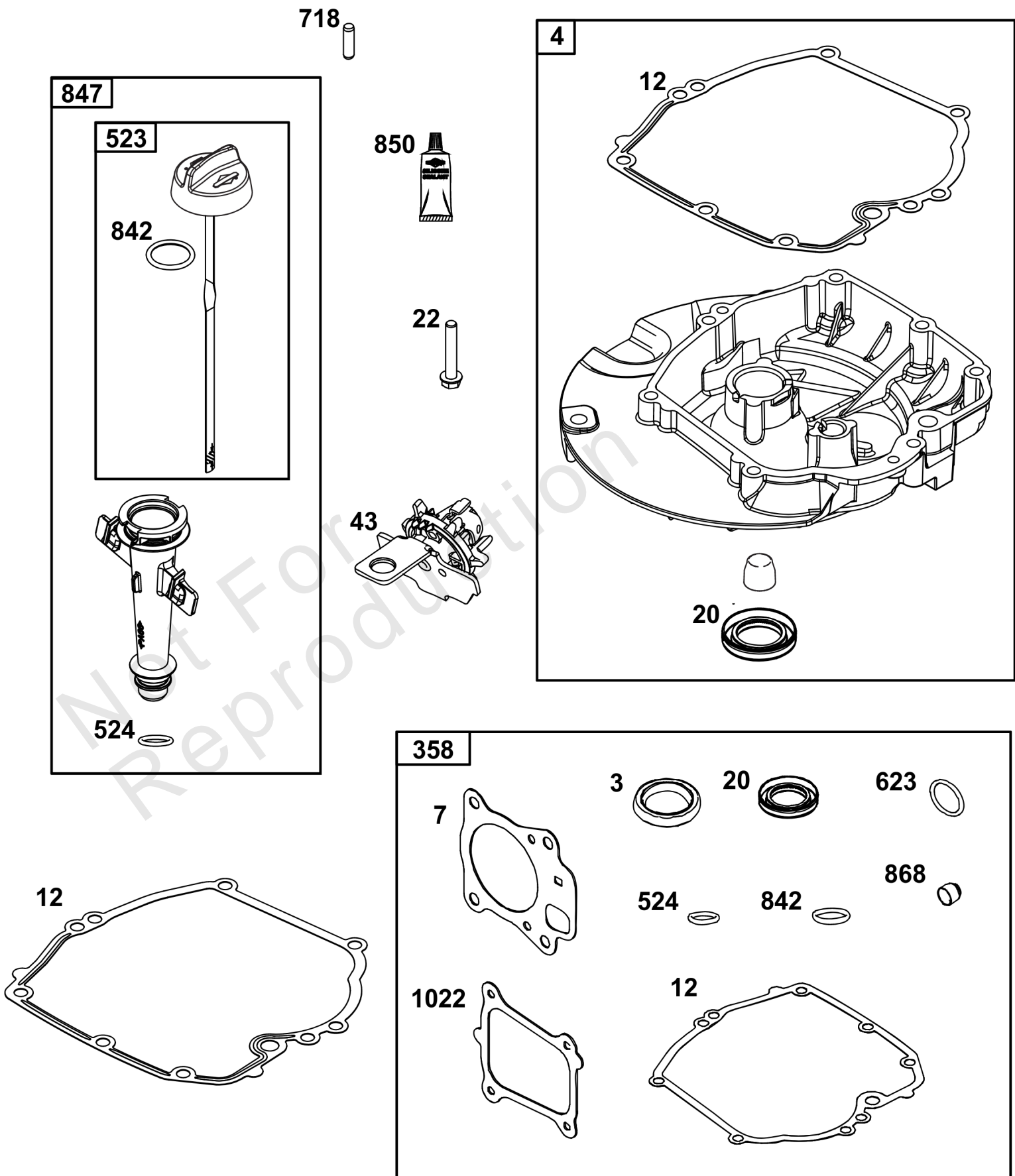
REF NO	PART NO	QTY	DESCRIPTION
104	590558	1	PIN, Float Hinge
105	594581	1	VALVE, Float Needle
117	597408	1	JET, Main -(Standard) (-Used Before Code Date 21112400)
117	84007561	1	JET, Main -(Standard) (-Used Before Code Date 21112300)
118	84006446	1	JET, Main -(High Altitude) (-Used After Code Date 21112400)
118	84007563	1	JET, Main -(High Altitude) (-Used After Code Date 21112300)
121	594636	1	KIT, Carburetor Overhaul -(Service Kits can include parts not for this engine.)
122	590549	1	SPACER, Carburetor
125	597096	1	CARBURETOR -(-Used Before Code Date 21112400)
125	84007564	1	CARBURETOR -(-Used After Code Date 21112300)
130	597444	1	VALVE, Choke
133	591120	1	FLOAT, Carburetor
137	594633	1	GASKET, Float Bowl
163	799580	1	GASKET, Air Cleaner
217	590740	1	SPRING, Choke Return
493A	84006039	1	BRACKET, Mounting
623	799581	1	SEAL, O-Ring -(Carburetor Spacer)
633	84002188	1	SEAL, Choke/Throttle Shaft
724	697478	1	RETAINER, Seal
729	594752	1	CLIP, Wire
951	591104	1	LEVER, Choke
975	594632	1	BOWL, Float
1127	590554	2	SCREW -(Float Bowl To Carburetor Body)
1145	597314	1	SEAL, O-Ring
1218	270344S	1	SEAL, O-Ring -(Carburetor)
1238	590562	1	SCREW -(Carburetor Spacer)



Controls Group

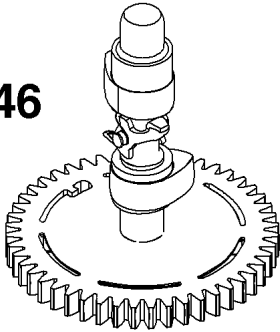
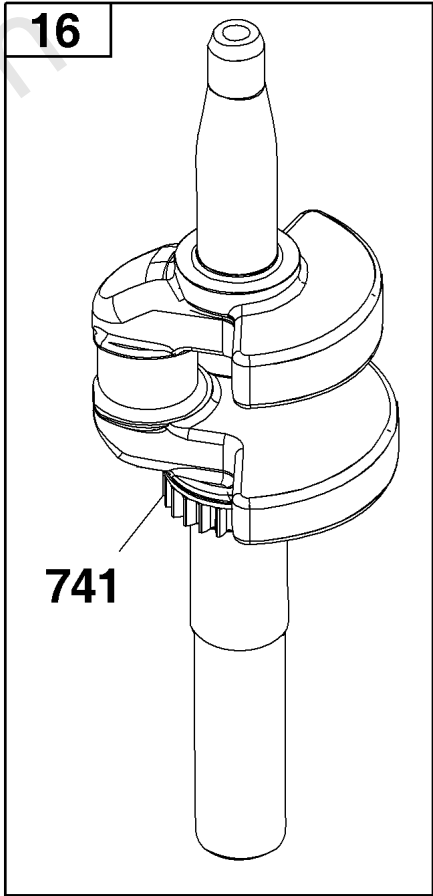
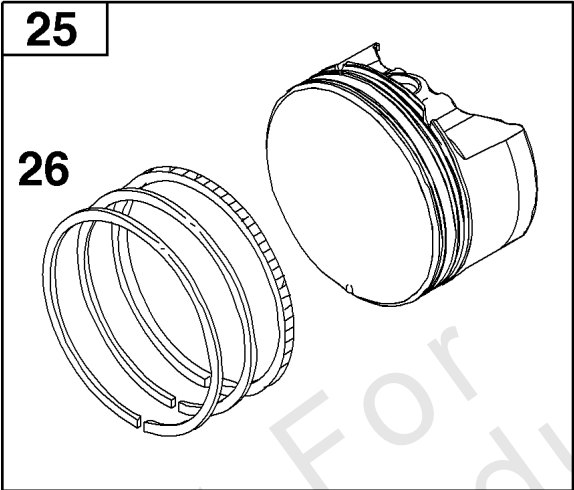
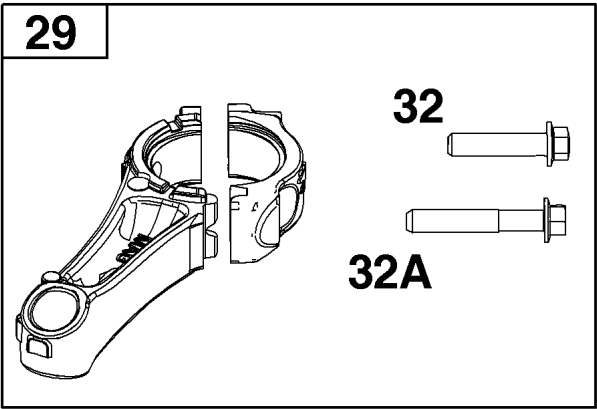
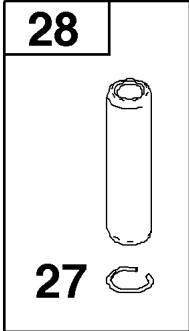
REF NO	PART NO	QTY	DESCRIPTION
188	793480	2	SCREW -(Control Bracket)
202	597337	1	LINK, Mechanical Governor
209	597439	1	SPRING, Governor
222	596754	1	BRACKET, Control
227	597336	1	LEVER, Governor Control
401	597323	1	LINK, Choke
505	597312	1	NUT -(Governor Control Lever)
562	793514	1	BOLT -(Governor Control Lever)
621	84007989	1	SWITCH, Stop
745	691146	1	SCREW -(Brake)
745A	690859	1	SCREW -(Brake)
922	692135	1	SPRING, Brake
923	597470	1	BRAKE

Not For Reproduction



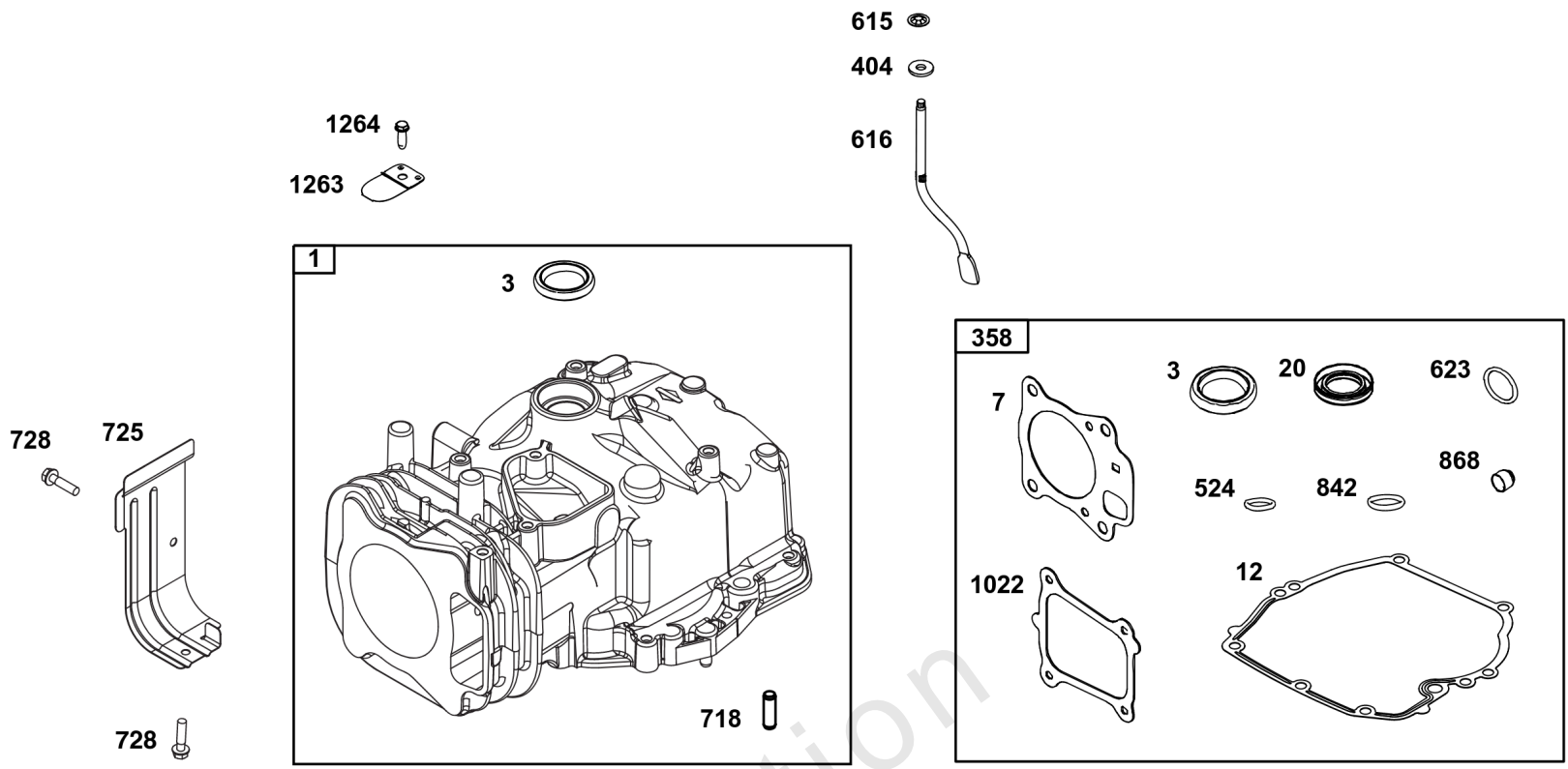
Crankcase Cover/Sump and Lubrication Group

REF NO	PART NO	QTY	DESCRIPTION
3	-----		SEAL, Oil -(Part information located in Cylinder Group.)
4	493279	1	SUMP, Engine
7	-----	1	GASKET, Cylinder Head -(Part information located in Cylinder Head Group.)
12	692232	1	GASKET, Crankcase
20	399781S	1	SEAL, Oil -(PTO Side)
22	691092	7	SCREW -(Crankcase Cover/Sump)
43	796650	1	SLINGER, Governor/Oil
358	-----	1	GASKET SET, Engine -(Part information located in Cylinder Group.)
523	796503	1	DIPSTICK
524	691876	1	SEAL, O-Ring -(Dipstick Tube)
623	-----	1	SEAL, O-Ring -(Part information located in Carburetor Group.)
718	-----	2	PIN, Locating -(Part information located in Cylinder Group.)
842	691031	1	SEAL, O-Ring -(Dipstick Cap)
847	596092	1	DIPSTICK/TUBE ASSEMBLY
850	100106	1	SEALANT, Liquid
868	-----	1	SEAL, Valve -(Part information located in Cylinder Head Group.)
1022	-----	1	GASKET, Rocker Cover -(Part information located in Cylinder Head Group.)



Crankshaft Group

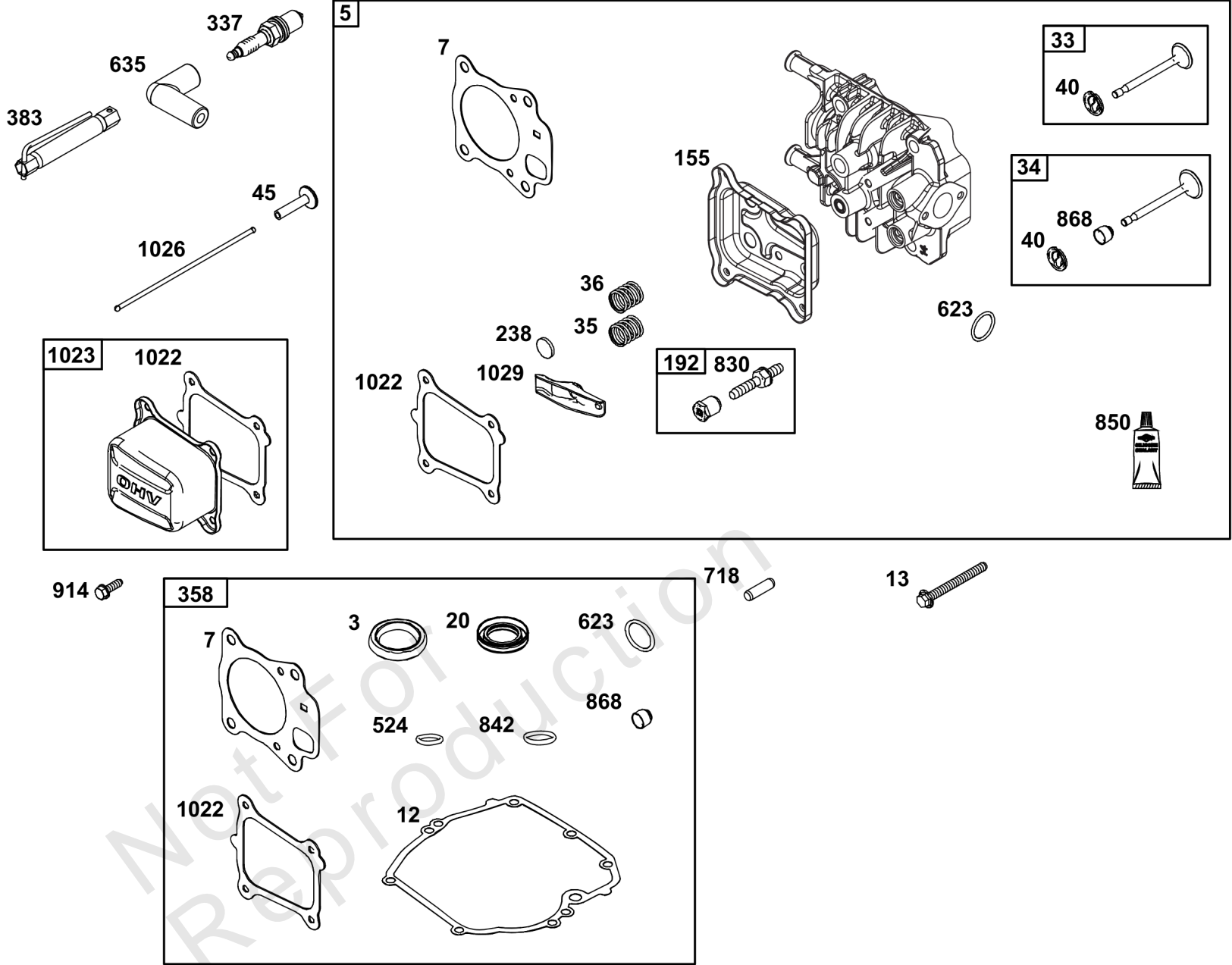
REF NO	PART NO	QTY	DESCRIPTION
16	597471	1	CRANKSHAFT
24	222698S	1	KEY, Flywheel
25	590404	1	PISTON ASSEMBLY -(Standard)
25	590405	1	PISTON ASSEMBLY -(.020 Oversize)
26	590402	1	SET, Ring -(Standard)
26	590403	1	SET, Ring -(.020 Oversize)
27	691588	1	LOCK, Piston Pin
28	298909	1	PIN, Piston
29	796470	1	ROD, Connecting
32	691664	1	SCREW -(Connecting Rod)(Short)
32A	695759	1	SCREW -(Connecting Rod)()
46	694039	1	CAMSHAFT
598	592587	1	SHIM, End Play
741	797521	1	GEAR, Timing



Not For
Reproduction

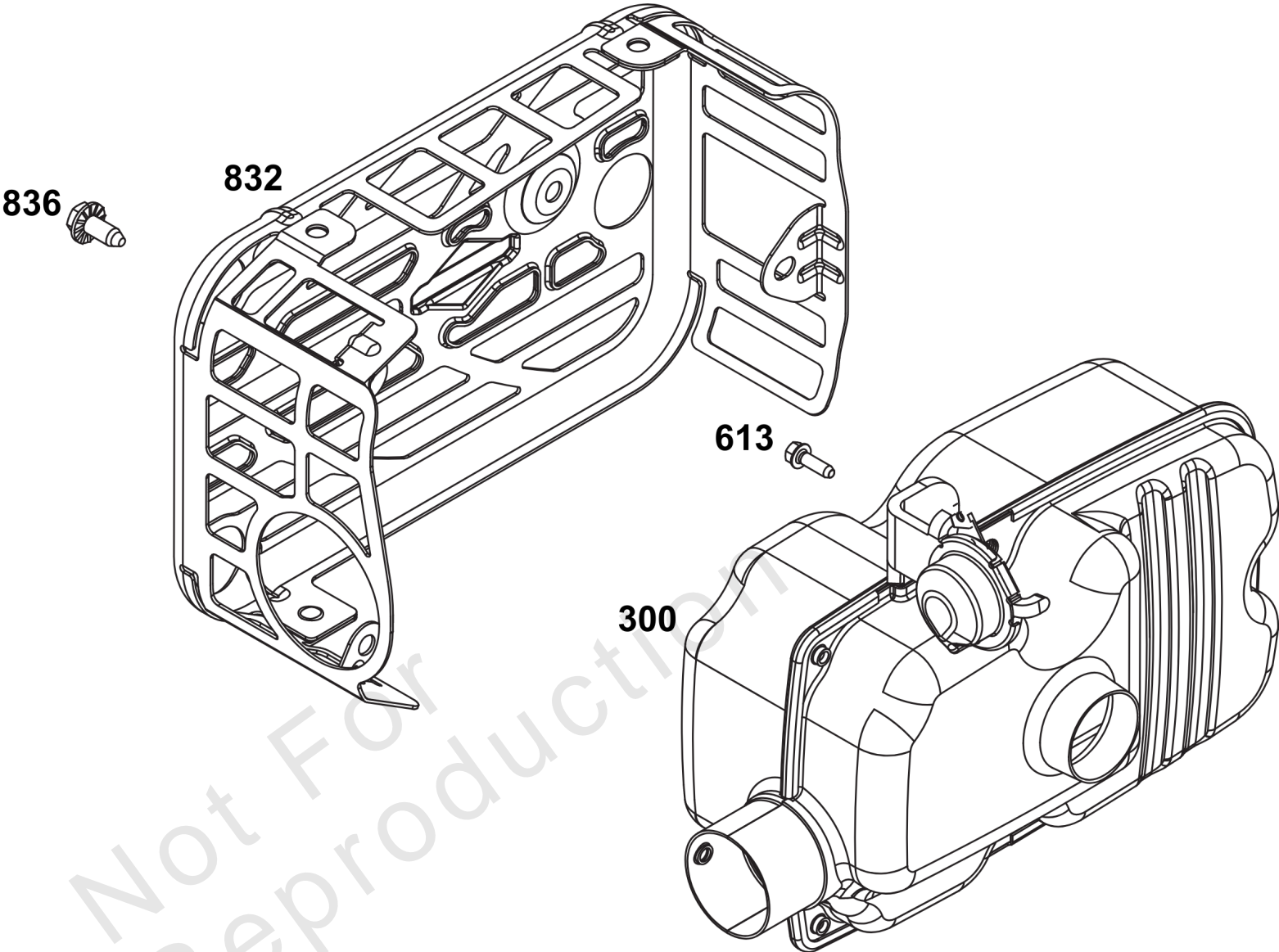
Cylinder Group

REF NO	PART NO	QTY	DESCRIPTION
1	597402	1	CYLINDER ASSEMBLY
3	299819S	1	SEAL, Oil -(Magneto Side)
7	-----	1	GASKET, Cylinder Head -(Part information located in Cylinder Head Group.)
12	-----	1	GASKET, Crankcase -(Part information located in Crankcase Cover/Sump and Lubrication Group.)
20	-----	1	SEAL, Oil -(Part information located in Crankcase Cover/Sump and Lubrication Group.)
358	597320	1	GASKET SET, Engine -(Service Kits may include extra parts not specific to this engine.)
404	690272	1	WASHER -(Governor Crank)
524	-----	1	SEAL, O-Ring -(Part information located in Crankcase Cover/Sump and Lubrication Group.)
615	690340	1	RETAINER, Governor Shaft
616	798327	1	CRANK, Governor
623	-----	1	SEAL, O-Ring -(Part information located in Carburetor Group.)
718	690959	2	PIN, Locating
725	597313	1	SHIELD, Heat
728	793480	2	SCREW -(Heat Shield)
842	-----	1	SEAL, O-Ring -(Part information located in Crankcase Cover/Sump and Lubrication Group.)
868	-----	1	SEAL, Valve -(Part information located in Cylinder Head Group.)
1022	-----	1	GASKET, Rocker Cover -(Part information located in Cylinder Head Group.)
1263	697124	1	REED, Breather
1264	793453	1	SCREW -(Breather Reed)



Cylinder Head Group

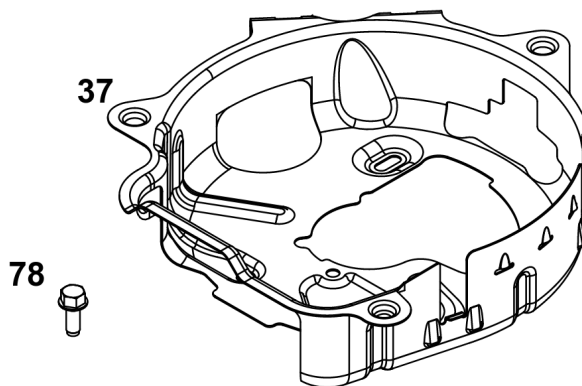
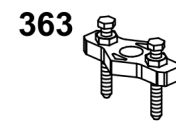
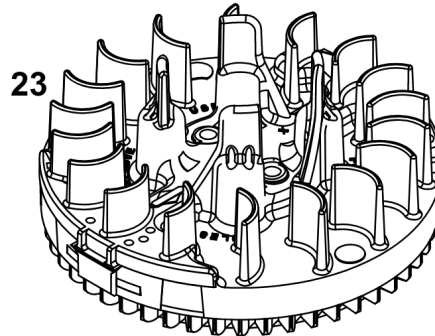
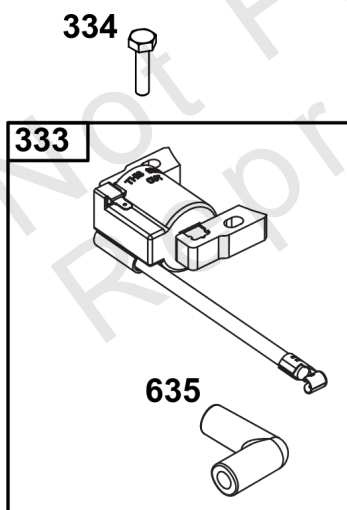
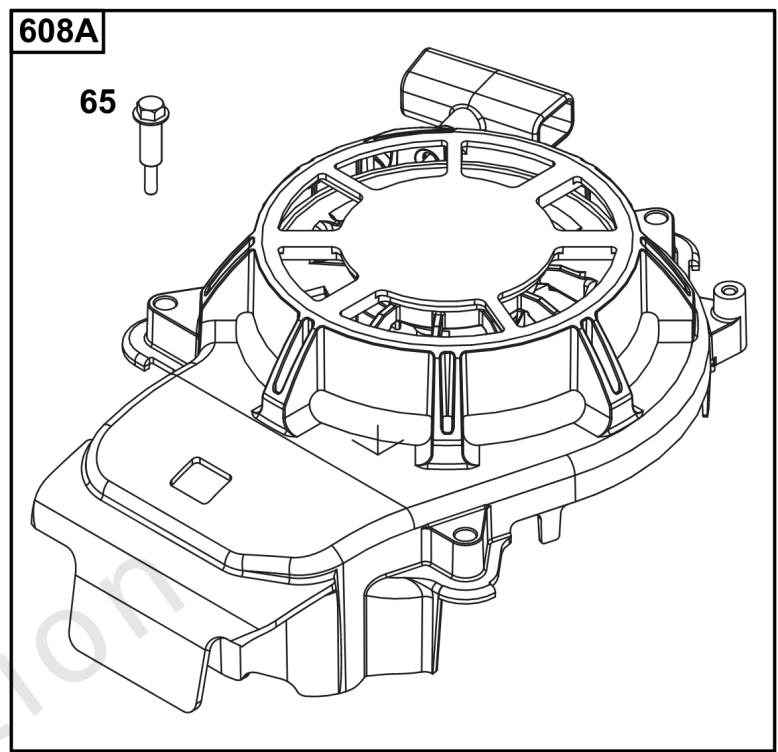
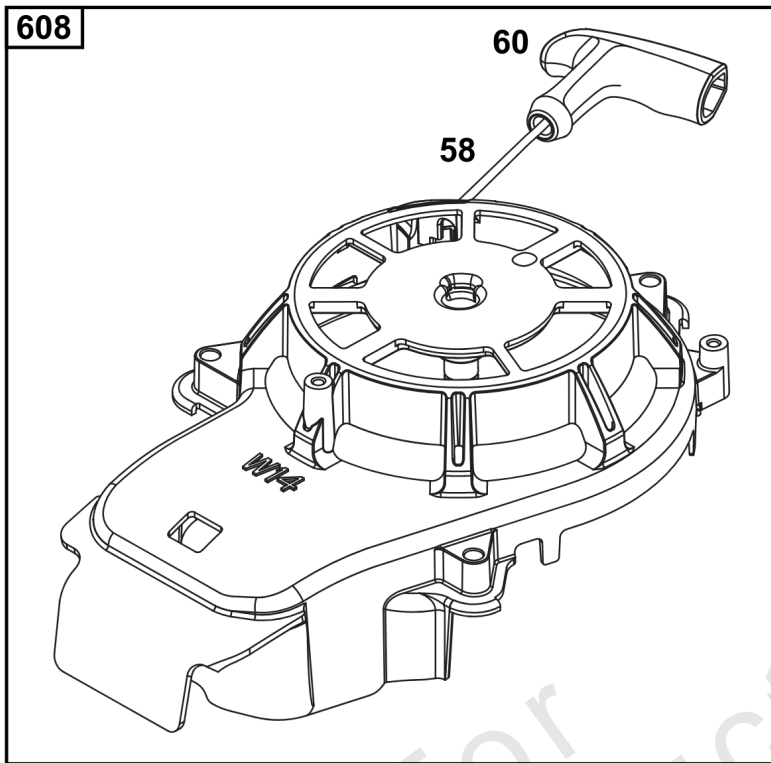
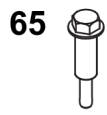
REF NO	PART NO	QTY	DESCRIPTION
3	-----	1	SEAL, Oil -(Part information located in Cylinder Group.)
5	597267	1	HEAD, Cylinder
7	796475	1	GASKET, Cylinder Head
12	-----	1	GASKET, Crankcase -(Part information located in Crankcase Cover/Sump and Lubrication Group.)
13	799277	4	SCREW -(Cylinder Head)
20	-----	1	SEAL, Oil -(Part information located in Crankcase Cover/Sump and Lubrication Group.)
33	499642	1	VALVE, Exhaust
34	795443	1	VALVE, Intake
35	597303	1	SPRING, Valve -(Intake)
36	597303	1	SPRING, Valve -(Exhaust)
40	692194	2	RETAINER, Valve
45	690977	2	TAPPET, Valve
155	597311	1	PLATE, Cylinder Head
192	84007234	2	ADJUSTER, Rocker Arm
238	691300	2	CAP, Valve
337	692051	1	PLUG, Spark
358	-----	1	GASKET SET, Engine -(Part information located in Cylinder Group.)
383	19576S	1	WRENCH, Spark Plug
524	-----	1	SEAL, O-Ring -(Part information located in Crankcase Cover/Sump and Lubrication Group.)
623	-----	1	SEAL, O-Ring -(Part information located in Carburetor Group.)
718	690959	2	PIN, Locating -(Part information located in Cylinder Group.)
830	597315	2	STUD, Rocker Arm
842	-----	1	SEAL, O-Ring -(Part information located in Crankcase Cover/Sump and Lubrication Group.)
850	-----	1	SEALANT, Liquid -(Part information located in Crankcase Cover/Sump and Lubrication Group.)
868	597316	1	SEAL, Valve
914	591103	4	SCREW -(Rocker Cover)
1022	597318	1	GASKET, Rocker Cover
1023	597280	1	COVER, Rocker
1026	796481	2	ROD, Push
1029	691230	2	ARM, Rocker



Exhaust Group

REF NO	PART NO	QTY	DESCRIPTION
300	597288	1	MUFFLER
613	590562	2	SCREW -(Muffler)
832	597405	1	GUARD, Muffler
836	690661	4	SCREW -(Muffler Guard)

Not For Reproduction

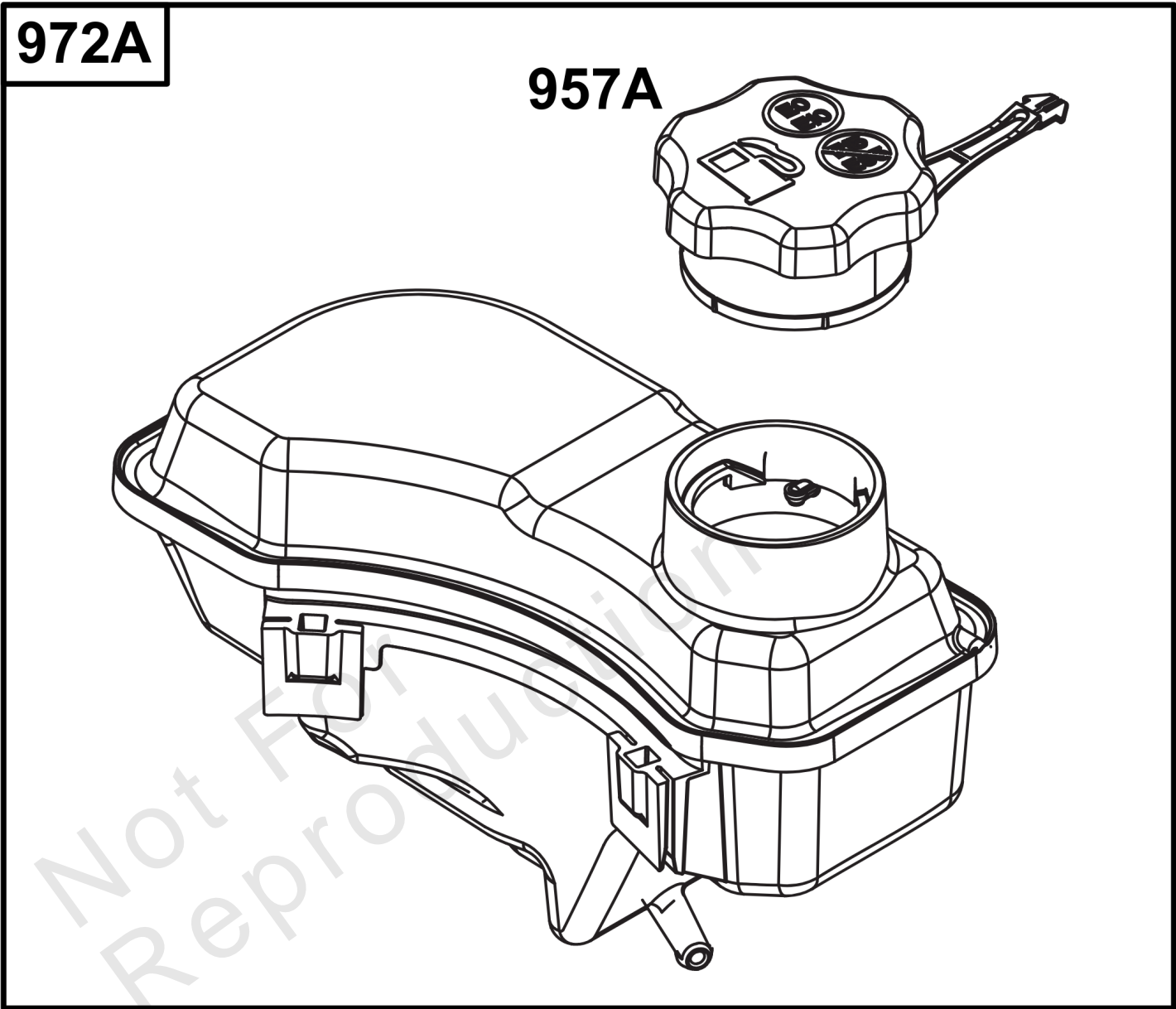


Flywheel, Ignition, and Starter Group

REF NO	PART NO	QTY	DESCRIPTION
23	597413	1	FLYWHEEL
24	-----	1	KEY, Flywheel -(Part information located in Crankshaft Group.)
37	597406	1	HOUSING, Blower
58	591108	1	ROPE, Starter
60	281434S	1	GRIP, Starter Rope
65	-----	3	SCREW -(Part information located in Blower Housing Group.)
75	691736	1	WASHER -(Flywheel)
78	793480	5	SCREW -(Flywheel Guard)
332	690662	1	NUT -(Flywheel)
333	595554	1	ARMATURE, Magneto
334	793454	2	SCREW -(Magneto Armature)
363	19203	1	PULLER, Flywheel
608	597268	1	STARTER, Rewind -Used Before Code Date 25013100
608A	84013156	1	STARTER, Rewind -Used After Code Date 25013000
635	-----	1	BOOT, Spark Plug -(Part information located in Cylinder Head Group.)

972A

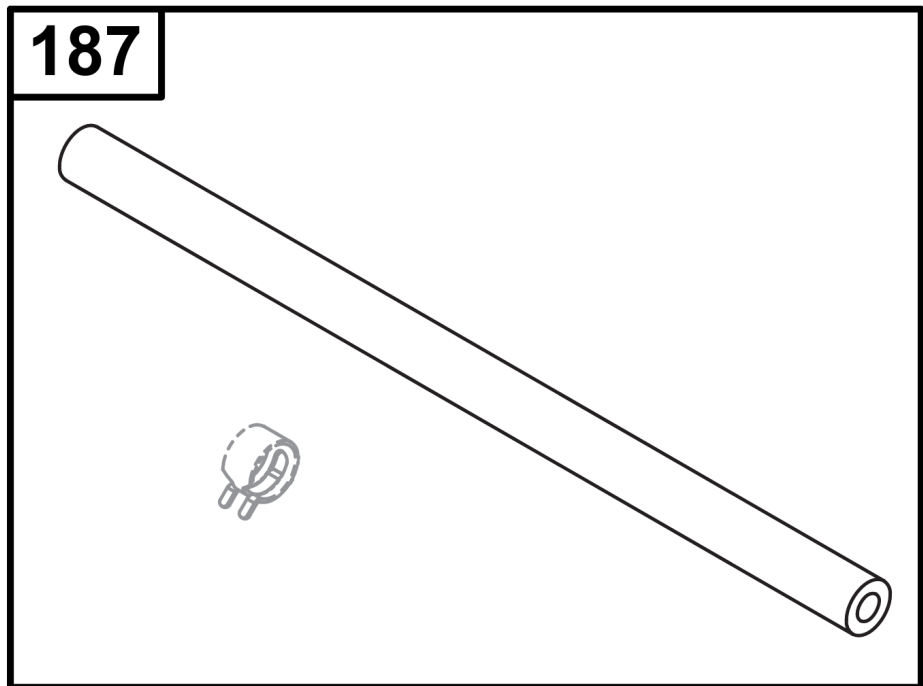
957A



601



187



Fuel Supply Group

REF NO	PART NO	QTY	DESCRIPTION
187	791766	1	LINE, Fuel
601	791850	4	CLAMP, Hose
957A	84004416	1	CAP, Fuel
972A	84004115	1	TANK, Fuel

Not For Reproduction

Replacement Engine US & Canada

REF NO	PART NO	QTY	DESCRIPTION
	125P020012F1	1	Replacement Engine
	-----		Top No-Load Speed: 2900

Not For Reproduction

