



# Parts Manual

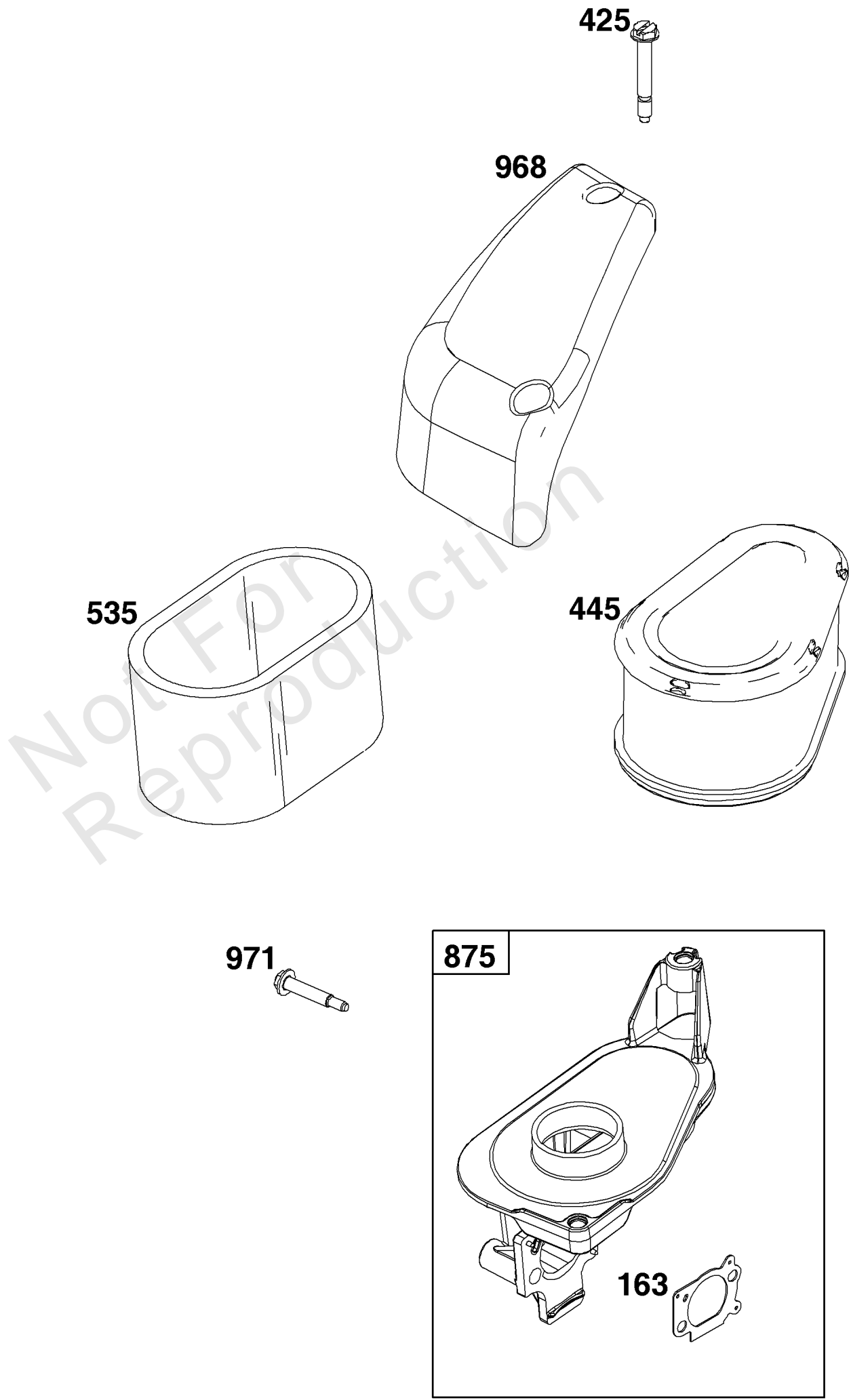
Mfg. No: 100602-0030-H5



---

<b>Model Components</b>	<b>Page</b>
Air Cleaner Group.....	4
Blower Housing Group.....	6
Carburetor Group.....	8
Controls Group.....	10
Crankcase Cover/Sump and Lubrication Group.....	12
Crankshaft Group.....	14
Cylinder Group.....	16
Cylinder Head Group.....	18
Exhaust Group.....	20
Flywheel, Ignition, and Starter Group.....	22
Fuel Supply Group.....	24

Not For  
Reproduction



## ***Air Cleaner Group***

<b>REF NO</b>	<b>PART NO</b>	<b>QTY</b>	<b>DESCRIPTION</b>
163	-----	1	GASKET, Air Cleaner -(Part information located in Carburetor Group.)
425	793460	2	SCREW -(Air Cleaner Cover)
445	792038	1	FILTER, A/C Cartridge
535	793676	1	FILTER, Air Cleaner Foam
875	793462	1	BASE, Air Cleaner
968	793532	1	COVER, Air Cleaner
971	591307	2	SCREW -(Air Cleaner Base to Carburetor/Throttle Body)

Not For Reproduction

969

921

1319A



1036



1319



857

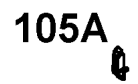
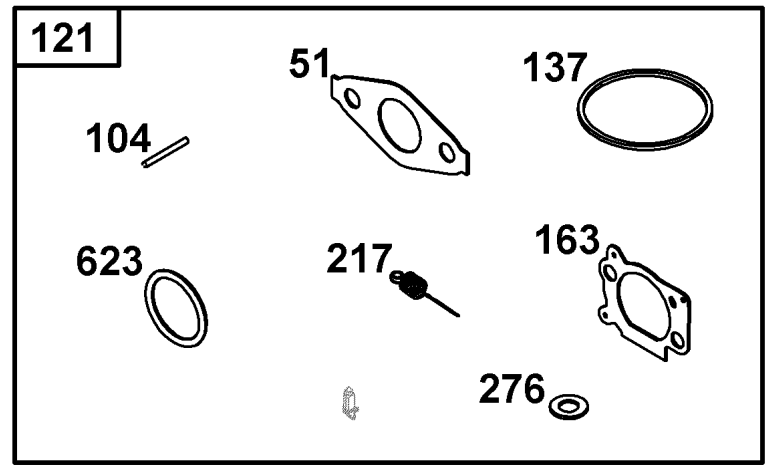
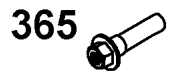
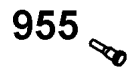
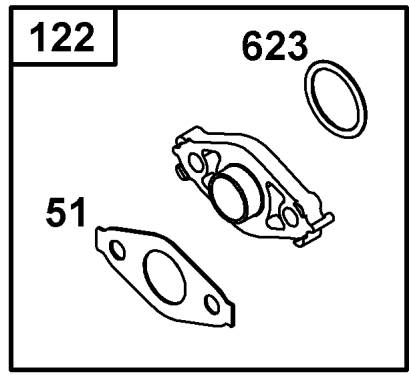
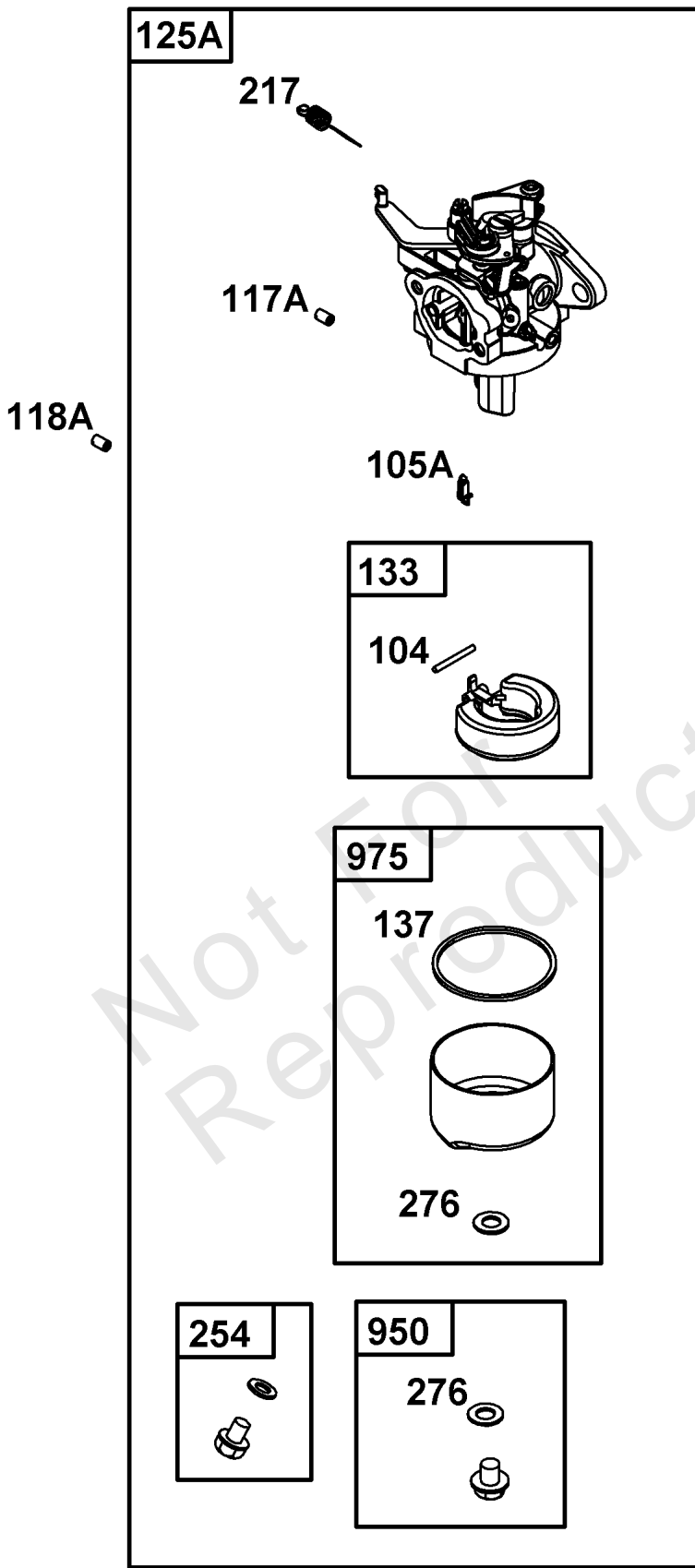
304

Not For  
Reproduction

## Blower Housing Group

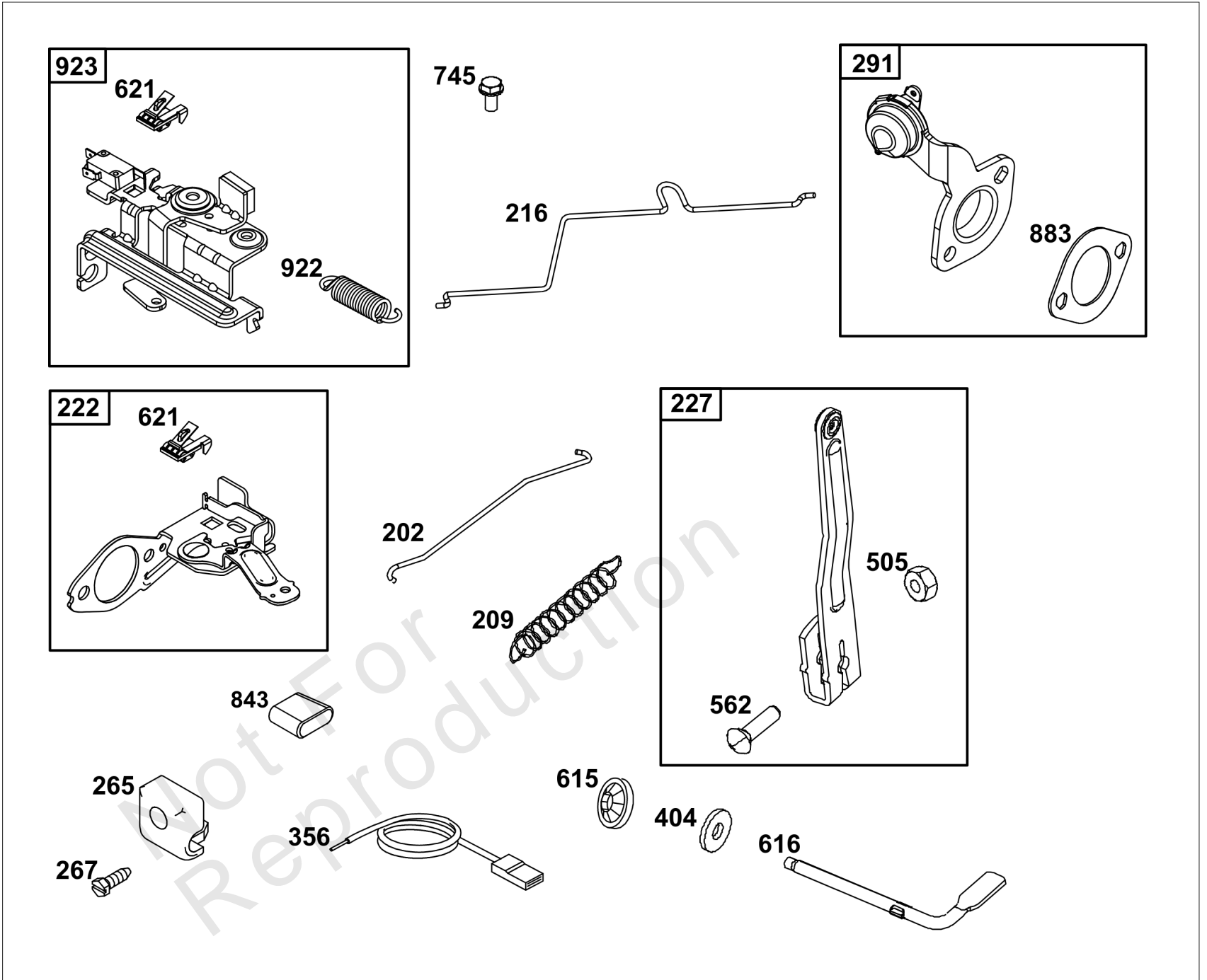
REF NO	PART NO	QTY	DESCRIPTION
304	793486	1	HOUSING, Blower
857	793533	1	TRIM, Blower Housing Cover
921	793531	1	HOUSING, Blower
969	690700	2	SCREW -(Blower Housing)
1036	-----		LABEL, Emissions -(Available from a Briggs & Stratton Authorized Dealer)
1319	794467		LABEL, Warning -(REQUIRED When Replacing Parts With Warning Labels Affixed)
1319A	797669		LABEL, Warning -(REQUIRED When Replacing Parts With Warning Labels Affixed)

Not For Reproduction



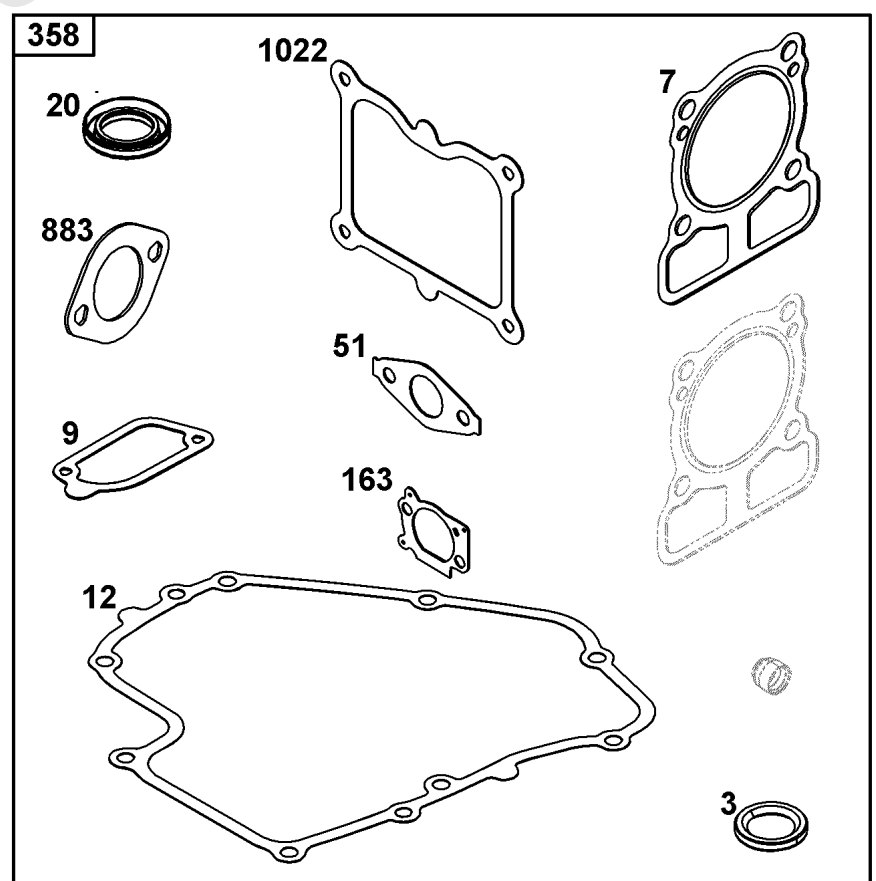
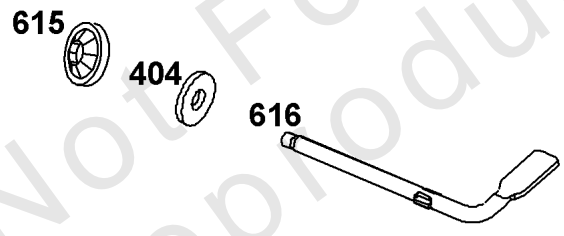
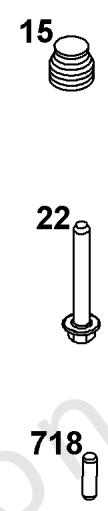
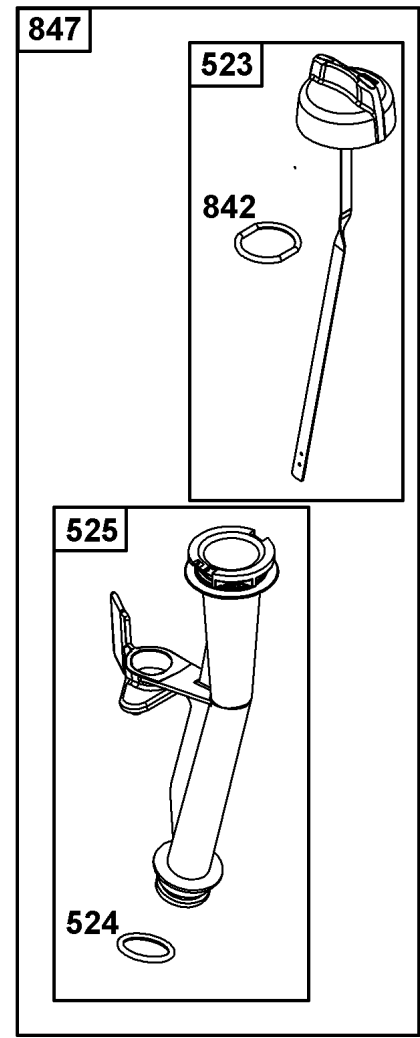
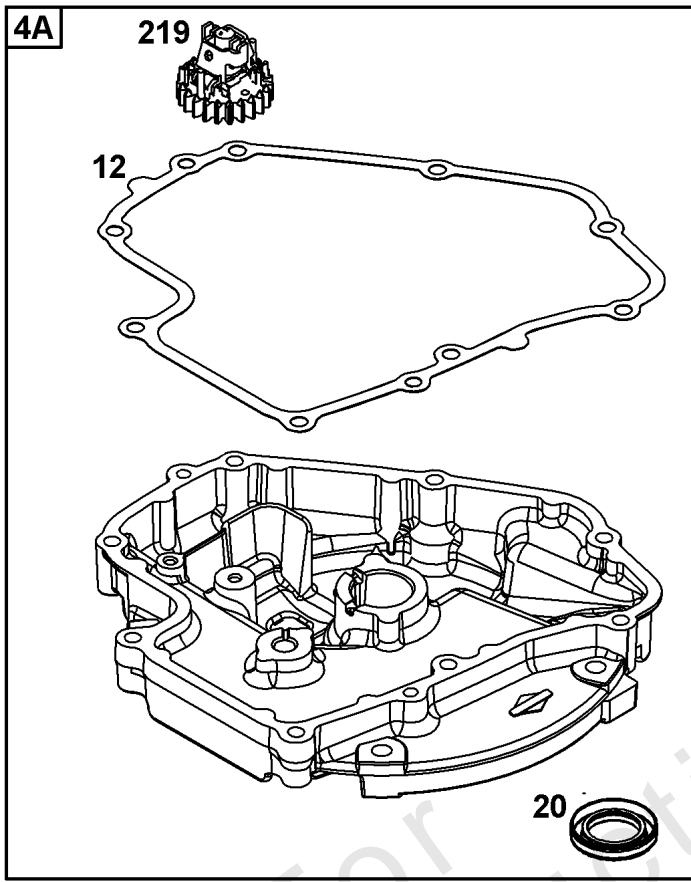
## Carburetor Group

REF NO	PART NO	QTY	DESCRIPTION
51	-----	1	GASKET, Intake -(Part information located in Cylinder Head Group.)
104	592486	1	PIN, Float Hinge
105A	84003155	1	VALVE, Float Needle
117A	84003156	1	JET, Main -(Standard)
118A	592142	1	JET, Main -(High Altitude)
121	592483	1	KIT, Carburetor Overhaul -(Service Kits may include extra parts not specific to this engine.)
122	793456	1	SPACER, Carburetor
125A	84001115	1	CARBURETOR
133	592487	1	FLOAT, Carburetor
137	592485	1	GASKET, Float Bowl
163	691894	1	GASKET, Air Cleaner
217	592484	1	SPRING, Choke Return
254	592493	1	DRAIN, Carburetor Bowl
276	592489	1	WASHER, Sealing
365	793458	2	SCREW -(Carburetor/Throttle Body)
623	793628	1	SEAL, O-Ring -(Carburetor Spacer)
950	592488	1	SCREW
955	595329	1	PLUG, Carburetor
971	-----	2	SCREW -(Part information located in Air Cleaner Group.)
975	592492	1	BOWL, Float



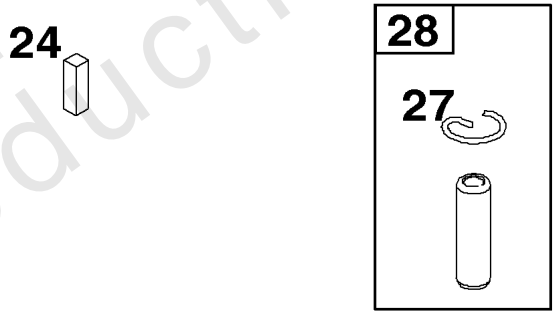
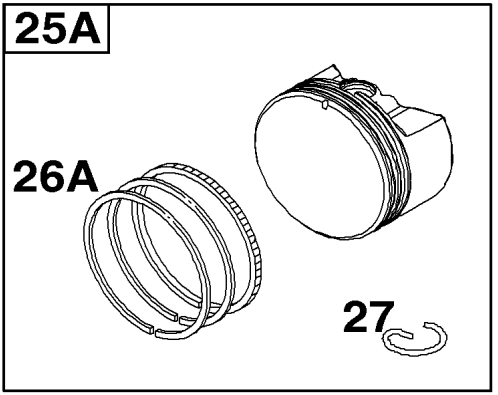
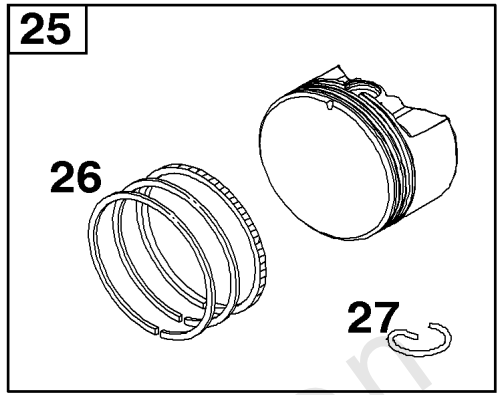
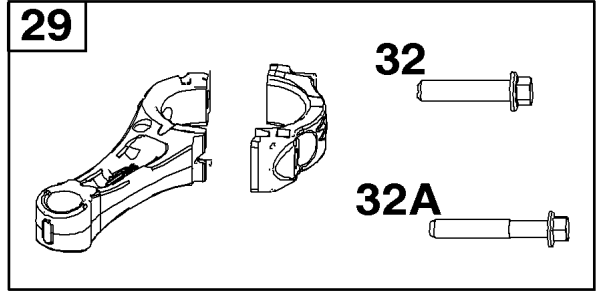
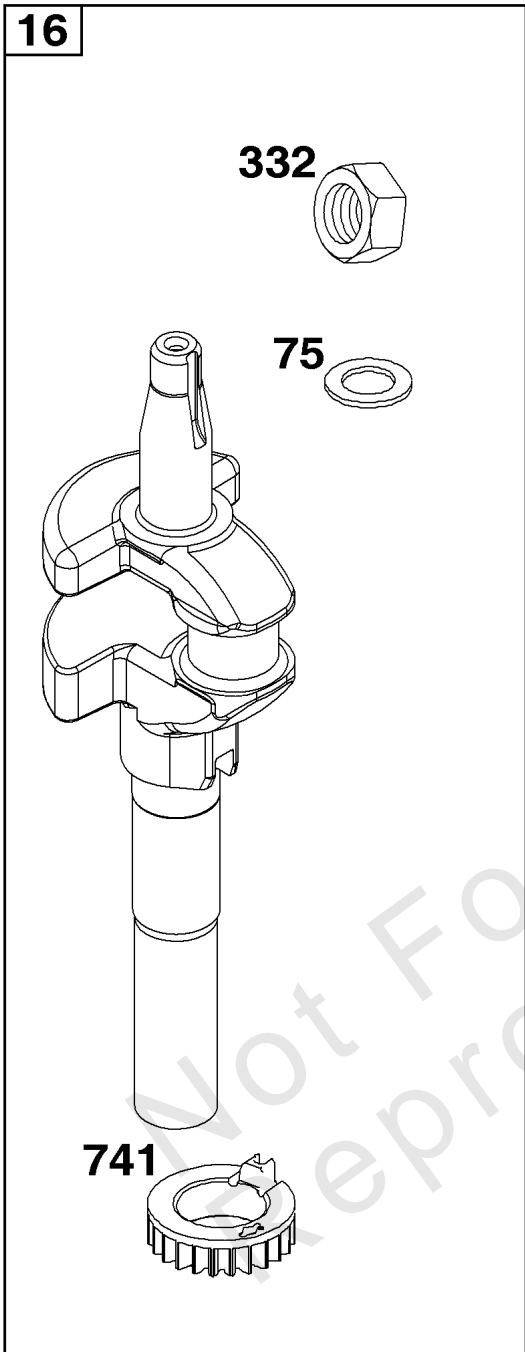
## Controls Group

REF NO	PART NO	QTY	DESCRIPTION
202	793433	1	LINK, Mechanical Governor
209	793430	1	SPRING, Governor
216	793494	1	LINK, Choke
222	793487	1	BRACKET, Control
227	793516	1	LEVER, Governor Control
265	690798	1	CLAMP, Casing
267	691044	1	SCREW -(Casing Clamp)
291	793498	1	THERMOSTAT
356	-----	1	WIRE, Stop -(Part information located in Flywheel/Ignition/Starter Group.)
404	-----	1	WASHER -(Part information located in Crankcase Cover/Sump and Lubrication Group.)
505	793515	1	NUT -(Governor Control Lever)
562	793514	1	BOLT -(Governor Control Lever)
615	-----	1	RETAINER, Governor Shaft -(Part information located in Crankcase Cover/Sump and Lubrication Group.)
616	-----	1	CRANK, Governor -(Part information located in Crankcase Cover/Sump and Lubrication Group.)
621	692310	1	SWITCH, Stop
745	793491	2	SCREW -(Brake)
843	691884	1	SLEEVE, Lever
883	-----	2	GASKET, Exhaust -(Part information located in Exhaust Group.)
922	692135	1	SPRING, Brake
923	796635	1	BRAKE



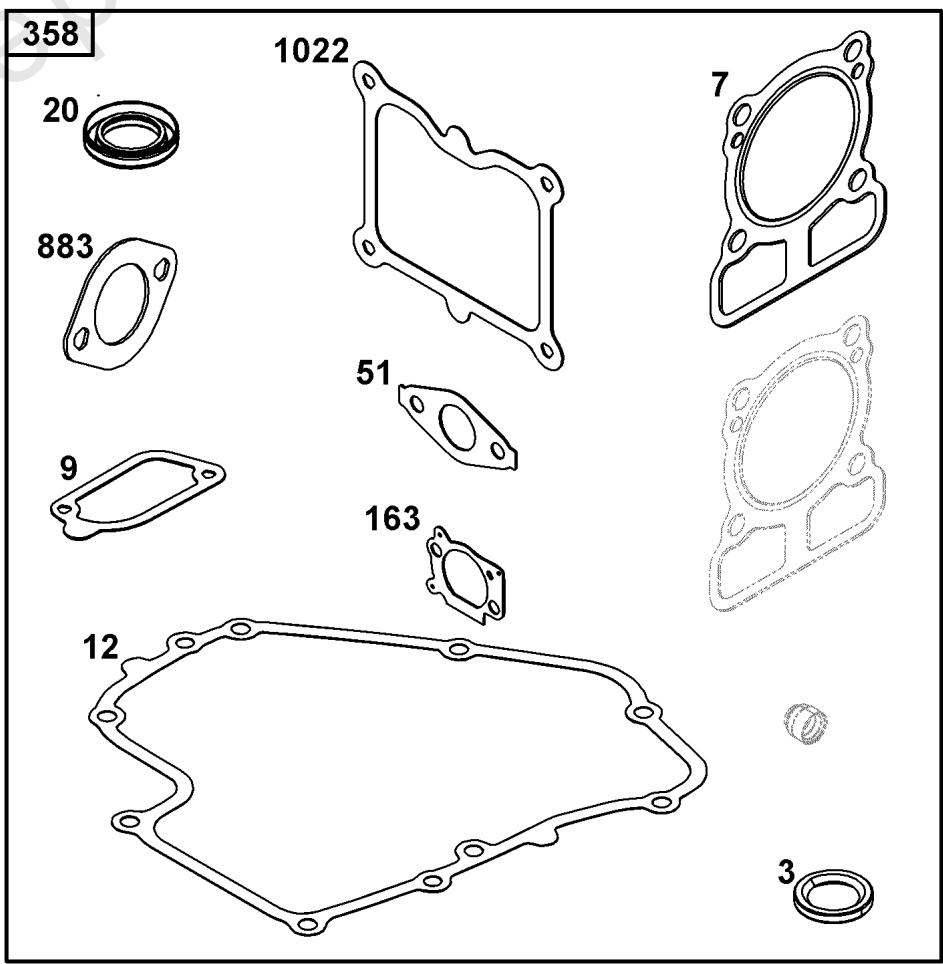
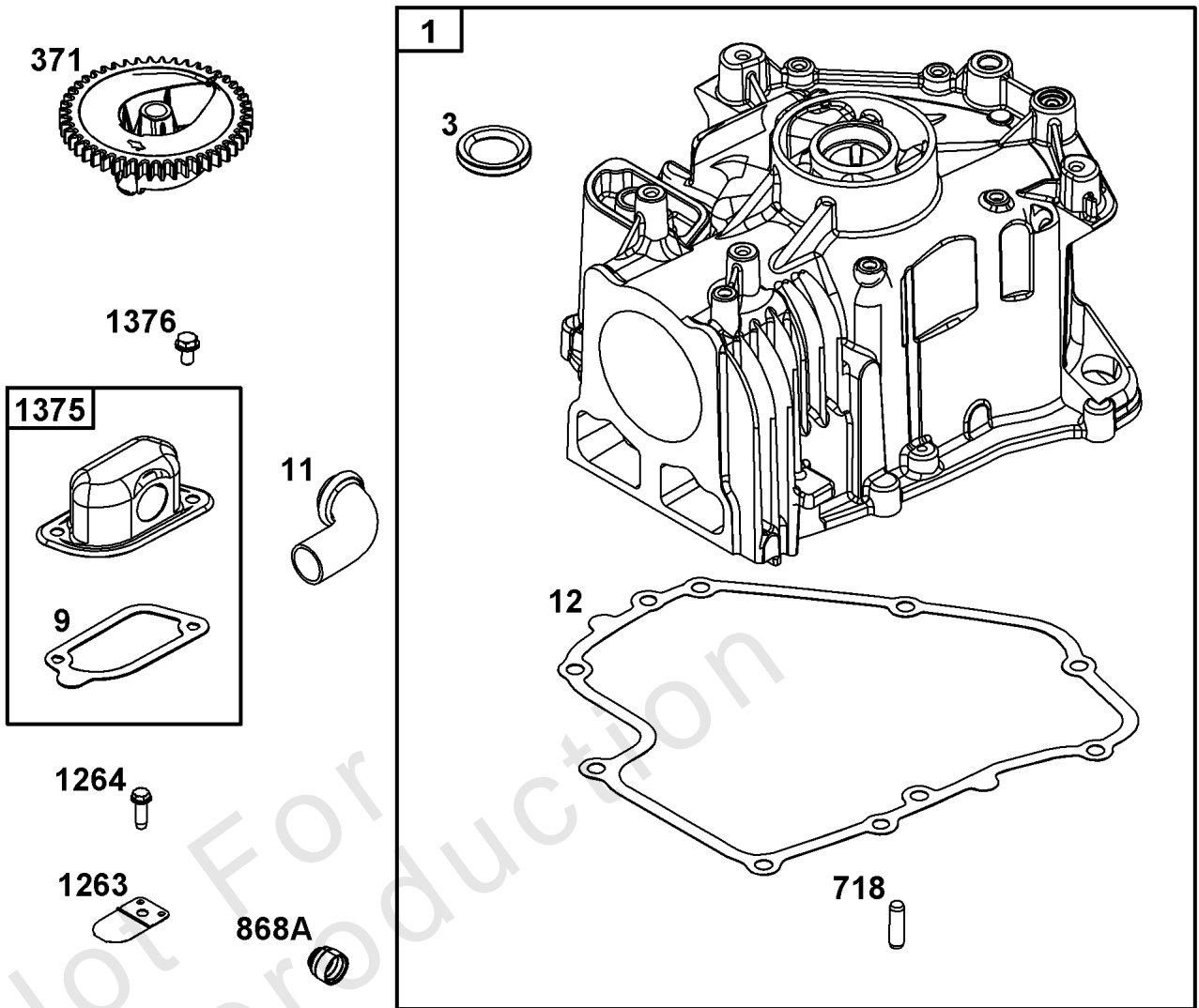
## Crankcase Cover/Sump and Lubrication Group

REF NO	PART NO	QTY	DESCRIPTION
3	-----	1	SEAL, Oil -(Part information located in Cylinder Group.)
4A	84003154	1	SUMP, Engine
7	-----	1	GASKET, Cylinder Head -(Part information located in Cylinder Head Group.)
9	-----	1	GASKET, Breather -(Part information located in Cylinder Group.)
12	793445	1	GASKET, Crankcase
15	691680	1	PLUG, Oil Drain
20	592253	1	SEAL, Oil -(PTO Side)
22	793450	8	SCREW -(Crankcase Cover/Sump)
51	-----	1	GASKET, Intake -(Part information located in Cylinder Head Group.)
163	-----	1	GASKET, Air Cleaner -(Part information located in Carburetor Group.)
219	793512	1	GEAR, Governor
358	-----		GASKET SET, Engine -(Part information located in Cylinder Group.)
404	690272	1	WASHER -(Governor Crank)
523	793475	1	DIPSTICK
524	793476	1	SEAL, O-Ring -(Dipstick Tube)
525	793477	1	TUBE, Dipstick
615	690340	1	RETAINER, Governor Shaft
616	793448	1	CRANK, Governor
718	-----	2	PIN, Locating -(Part information located in Cylinder Group.)
842	691031	1	SEAL, O-Ring -(Dipstick Cap)
847	793474	1	DIPSTICK/TUBE ASSEMBLY
868A	-----	1	SEAL, Valve -(Part information located in Cylinder Head Group.)
883	-----	2	GASKET, Exhaust -(Part information located in Exhaust Group.)
1022	793437	1	GASKET, Rocker Cover -(Part information located in Cylinder Head Group.)



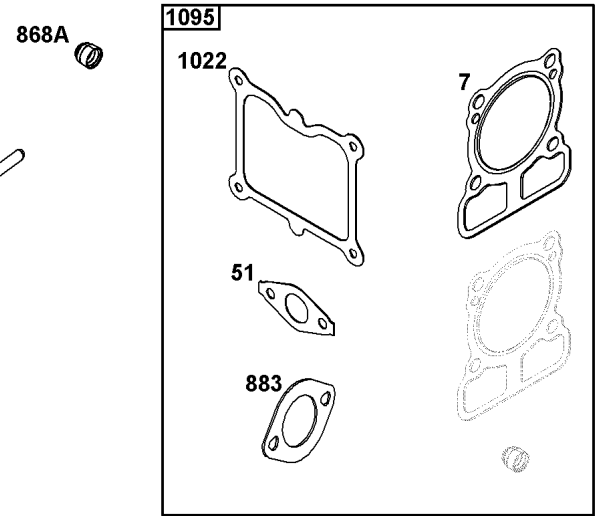
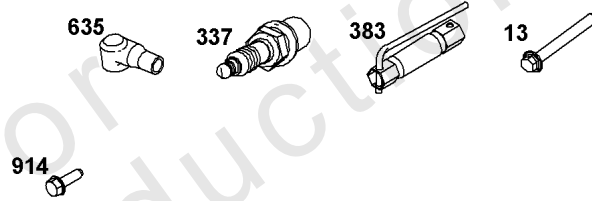
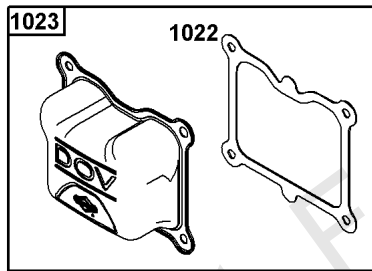
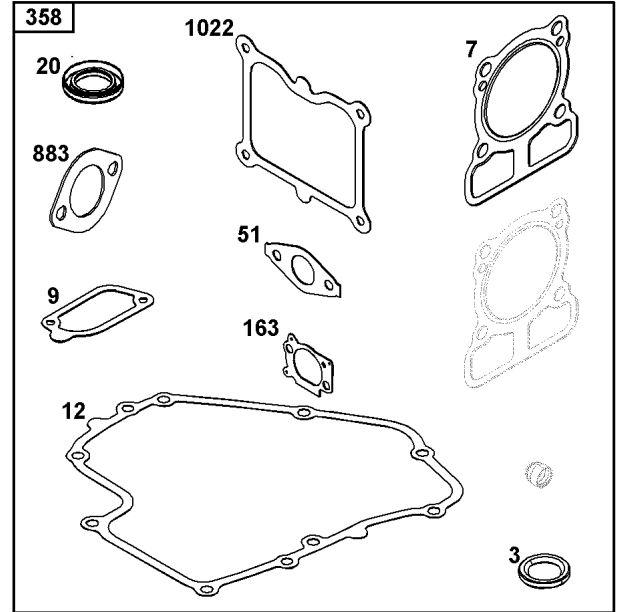
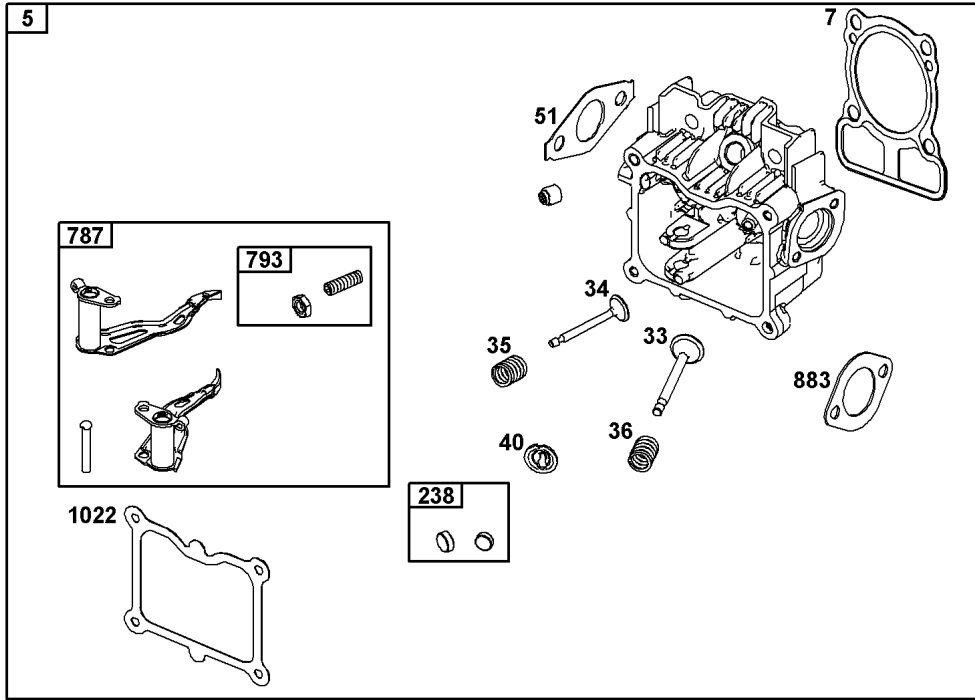
## Crankshaft Group

REF NO	PART NO	QTY	DESCRIPTION
16	793426	1	CRANKSHAFT
24	222698S	1	KEY, Flywheel
25	793519	1	PISTON ASSEMBLY -Used Before Code Date 18100100
25	793518	1	PISTON ASSEMBLY -(.020" Oversize) -Used Before Code Date 18100100
25A	84003117	1	PISTON ASSEMBLY -Used After Code Date 18093000
25A	84003120	1	PISTON ASSEMBLY -(.020" Oversize) -Used After Code Date 18093000
26	793435	1	SET, Ring -Used Before Code Date 18100100
26	793517	1	SET, Ring -(.020" Oversize) -Used Before Code Date 18100100
26A	84003118	1	SET, Ring -Used After Code Date 18093000
26A	84003119	1	SET, Ring -(.020" Oversize) -Used After Code Date 18093000
27	691588	1	LOCK, Piston Pin
28	691239	1	PIN, Counterweight
29	793510	1	ROD, Connecting
32	691664	1	SCREW -(Connecting Rod)
32A	695759	1	SCREW -(Connecting Rod)
75	-----	1	WASHER -(Part information located in Flywheel/Ignition/Starter Group.)
332	-----	1	NUT -(Part information located in Flywheel/Ignition/Starter Group.)
598	592587	1	SHIM, End Play -(Crankshaft or Camshaft Bearing)
741	793446	1	GEAR, Timing



## Cylinder Group

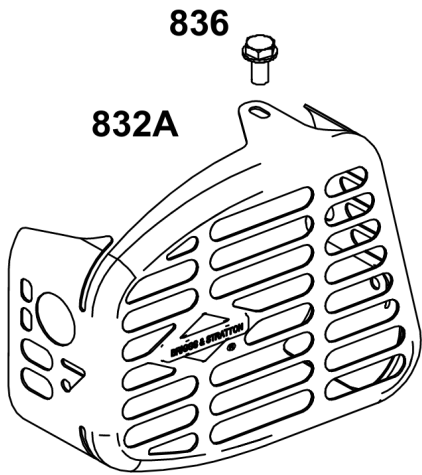
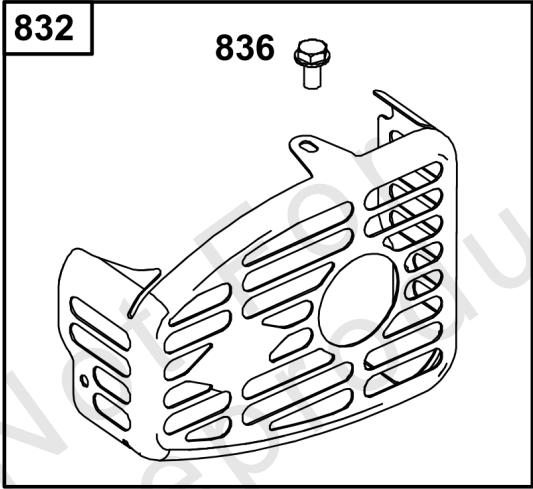
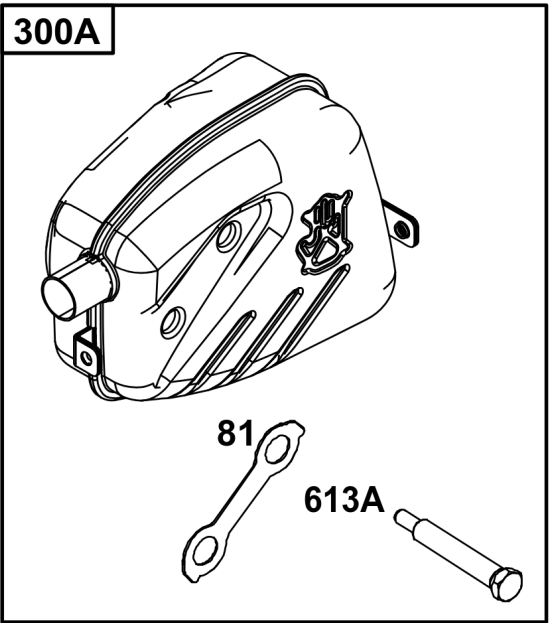
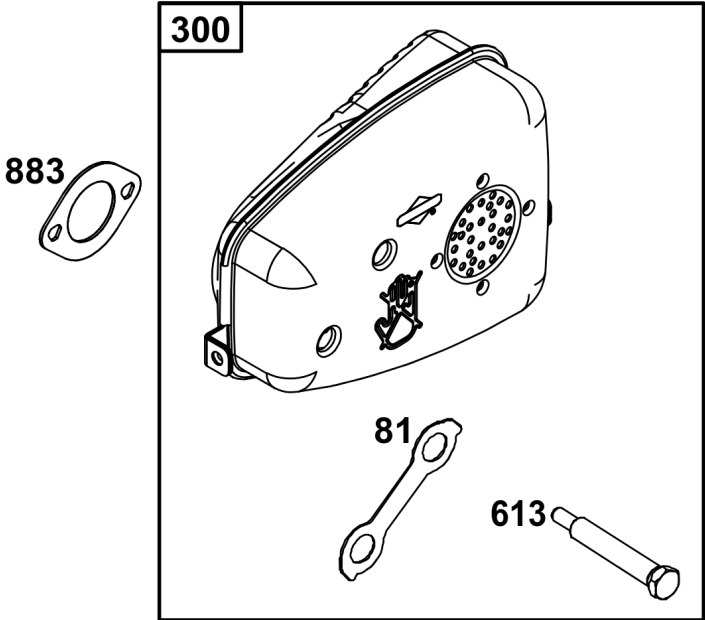
REF NO	PART NO	QTY	DESCRIPTION
1	84004557	1	CYLINDER ASSEMBLY
3	299819S	1	SEAL, Oil -(Magneto Side)
7	-----	1	GASKET, Cylinder Head -(Part information located in Cylinder Head Group.)
9	793439	1	GASKET, Breather
11	84003693	1	TUBE, Breather
12	-----	1	GASKET, Crankcase -(Part information located in Crankcase Cover/Sump and Lubrication Group.)
20	-----	1	SEAL, Oil -(Part information located in Crankcase Cover/Sump and Lubrication Group.)
51	-----	1	GASKET, Intake -(Part information located in Cylinder Head Group.)
163	-----	1	GASKET, Air Cleaner -(Part information located in Carburetor Group.)
358	793623		GASKET SET, Engine -(Service Kits may include extra parts not specific to this engine.)
371	794574	1	GEAR, Cam
718	592860	2	PIN, Locating
868A	-----	1	SEAL, Valve -(Part information located in Cylinder Head Group.)
883	-----	2	GASKET, Exhaust -(Part information located in Exhaust Group.)
1022	793437	1	GASKET, Rocker Cover -(Part information located in Cylinder Head Group.)
1263	697124	1	REED, Breather
1264	793453	1	SCREW -(Breather Reed)
1375	793442	1	COVER, Breather Reed
1376	699851	2	SCREW -(Breather Reed Cover)



Not For Reproduction

## Cylinder Head Group

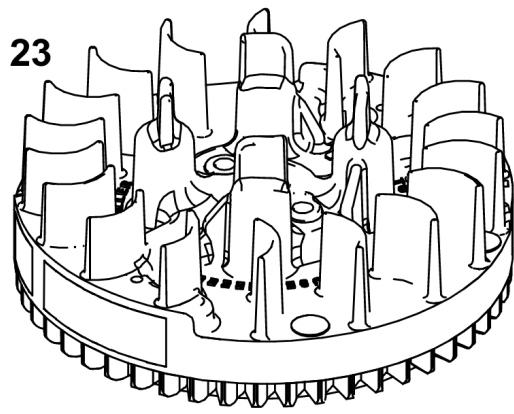
REF NO	PART NO	QTY	DESCRIPTION
3	-----	1	SEAL, Oil -(Part information located in Cylinder Group.)
5	84003364	1	HEAD, Cylinder
7	793455	1	GASKET, Cylinder Head
9	-----	1	GASKET, Breather -(Part information located in Cylinder Group.)
12	-----	1	GASKET, Crankcase -(Part information located in Crankcase Cover/Sump and Lubrication Group.)
13	793451	4	SCREW -(Cylinder Head)
20	-----	1	SEAL, Oil -(Part information located in Crankcase Cover/Sump and Lubrication Group.)
33	793505	1	VALVE, Exhaust
34	793504	1	VALVE, Intake
35	793506	1	SPRING, Valve -(Intake)
36	793506	1	SPRING, Valve -(Exhaust)
40	793503	2	RETAINER, Valve
51	692555	1	GASKET, Intake
163	-----	1	GASKET, Air Cleaner -(Part information located in Carburetor Group.)
238	793535	2	CAP, Valve
337	692720	1	PLUG, Spark
358	-----	1	GASKET SET, Engine -(Part information located in Cylinder Group.)
383	19576S	1	WRENCH, Spark Plug
635	-----	1	BOOT, Spark Plug -(Part information located in Flywheel/Ignition/Starter Group.)
787	592537	1	ARM, Lever
793	793511	1	SET, Screw/Nut
868A	84003153	1	SEAL, Valve
883	-----	2	GASKET, Exhaust -(Part information located in Exhaust Group.)
914	794451	4	SCREW -(Rocker Cover)
1022	793437	1	GASKET, Rocker Cover
1023	793436	1	COVER, Rocker
1095	793624	1	GASKET SET, Valve -(Service Kits may include extra parts not specific to this engine.)



## Exhaust Group

REF NO	PART NO	QTY	DESCRIPTION
81	691740	1	LOCK, Muffler Screw
300	793496	1	MUFFLER -Used Before Code Date 22070100
300A	793679	1	MUFFLER -Used After Code Date 22063000
613	793495	2	SCREW -(Muffler) -Used Before Code Date 22070100
613A	793680	2	SCREW -(Muffler) -Used After Code Date 22063000
832	793499	1	GUARD, Muffler -Used Before Code Date 22070100
832A	793681	1	GUARD, Muffler -Used After Code Date 22063000
836	793500	3	SCREW -(Muffler Guard)
883	793497	1	GASKET, Exhaust

Not For Reproduction



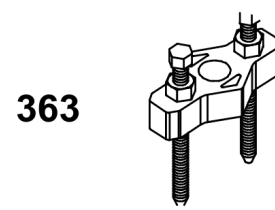
23



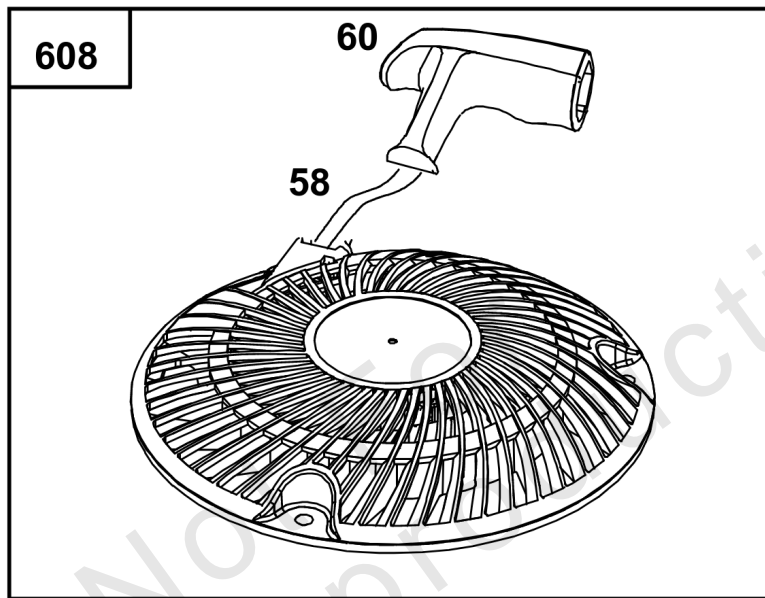
332



75



363

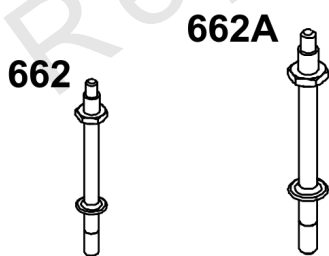


608

60

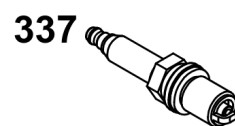
58

592



662

662A



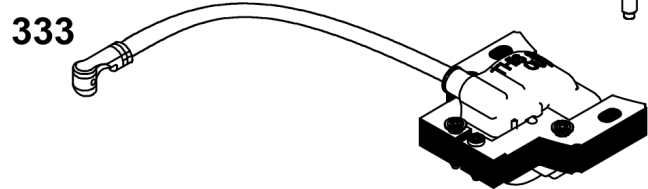
337



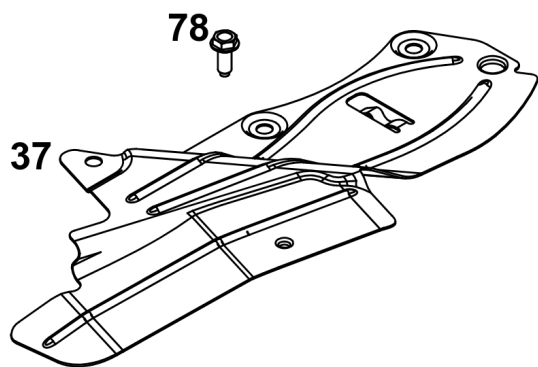
635



334

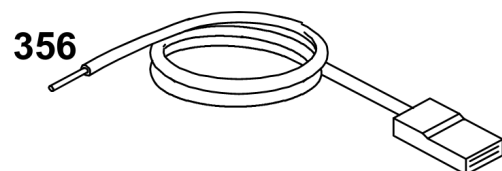


333



37

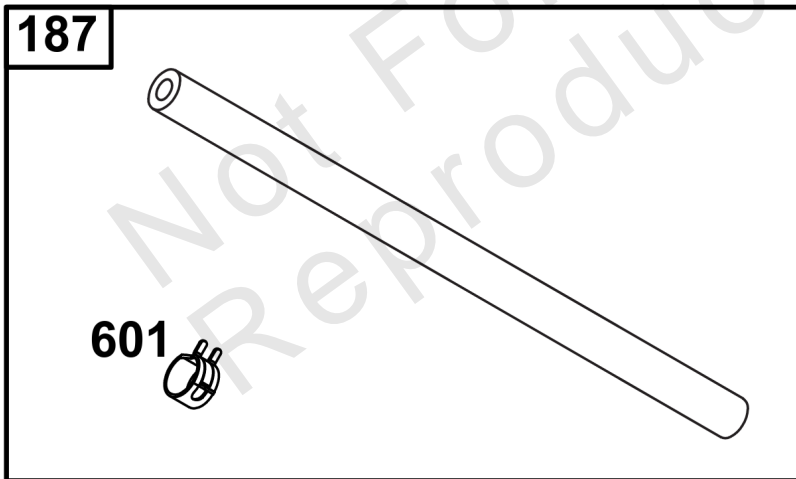
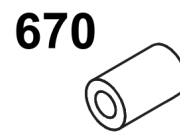
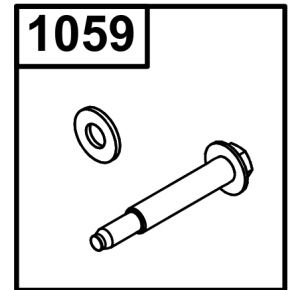
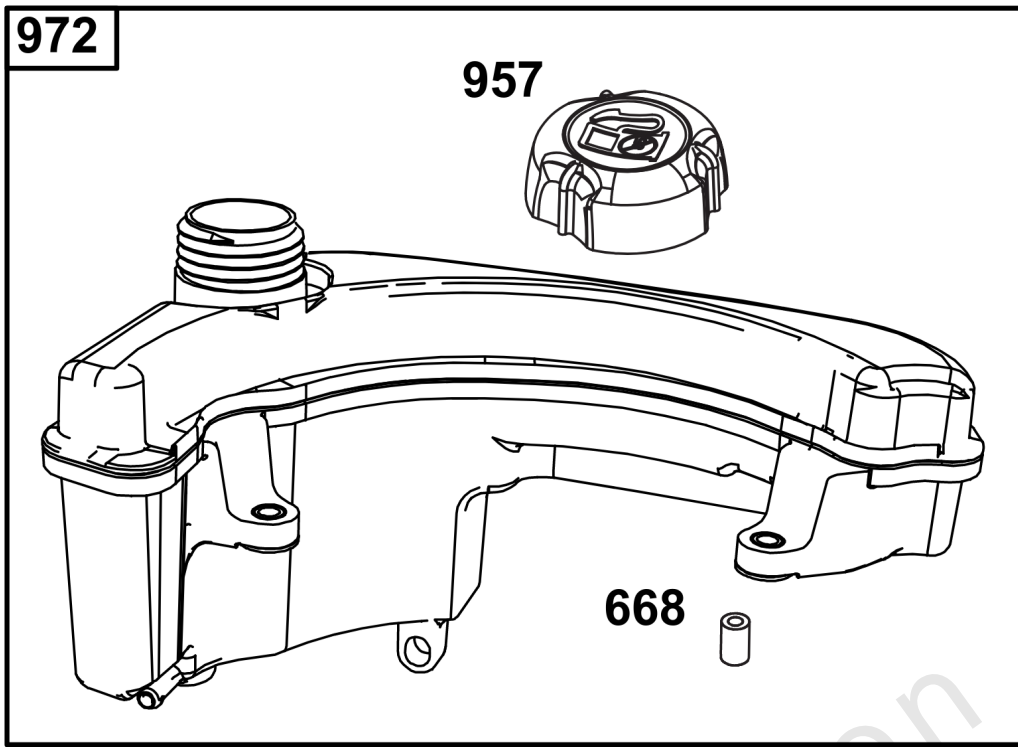
78



356

## ***Flywheel, Ignition, and Starter Group***

<b>REF NO</b>	<b>PART NO</b>	<b>QTY</b>	<b>DESCRIPTION</b>
23	595414	1	FLYWHEEL
37	793473	1	GUARD, Flywheel
58	697316	1	ROPE, Starter
60	281434S	1	GRIP, Starter Rope
75	691736	1	WASHER -(Flywheel)
78	793480	3	SCREW -(Flywheel Guard)
332	690662	1	NUT -(Flywheel)
333	592445	1	ARMATURE, Magneto
334	793454	1	SCREW -(Magneto Armature)
337	-----	1	PLUG, Spark -(Part information located in Cylinder Head Group.)
356	692390	1	WIRE, Stop
363	19069		PULLER, Flywheel
592	793481	3	NUT -(Rewind Starter)
608	593958	1	STARTER, Rewind
635	66538S	1	BOOT, Spark PLug
662	793478	1	STUD -(Rewind Starter)
662A	793479	2	STUD -(Rewind Starter)



## *Fuel Supply Group*

REF NO	PART NO	QTY	DESCRIPTION
187	791766	1	LINE, Fuel
601	791850	2	CLAMP, Hose
668	797383	2	SPACER
670	793485	1	SPACER, Fuel Tank
957	692046	1	CAP, Fuel Tank
972	793472	1	TANK, Fuel
1059	793471	1	KIT, Screw/Washer

Not For Reproduction

